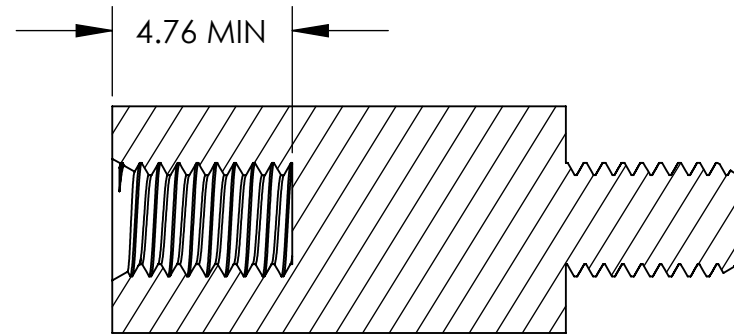
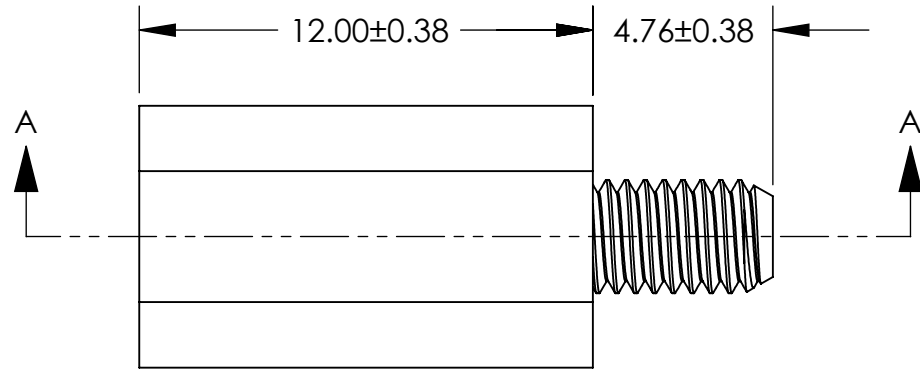
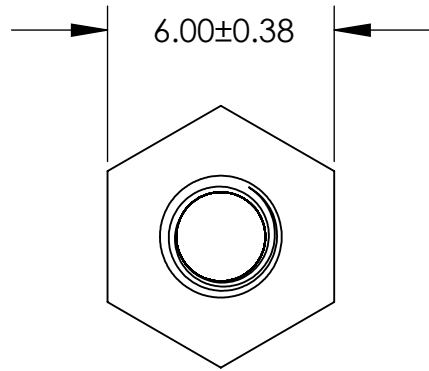


UNCONTROLLED DOCUMENT



SECTION A-A

NOTES:
EXTERNAL AND INTERNAL
THREADS M3 X 0.5

ALL DIMENSIONS ARE IN MILLIMETERS
TOLERANCES UNLESS NOTED

- ±.13MM ON DIMENSIONS THRU 15.88MM
- ±.20MM ON DIMENSIONS 15.89MM THRU 25.41MM
- ±.25MM ON DIMENSIONS 25.42MM THRU 38.10MM
- ±.38MM ON DIMENSIONS LARGER THAN 38.10MM

WE RESERVE THE RIGHT
TO DISCONTINUE ITEMS,
CHANGE SPECIFICATIONS
OR DESIGN AT ANY TIME
WITHOUT NOTICE AND
WITHOUT INCURRING
ANY OBLIGATIONS

PROPERTY OF MICRO PLASTICS INC.		
CATALOG DRAWING METRIC MALE FEMALES MICRO P/N 36M30MF012 DWG. # 36M30MF012 FILE SERVER\ENG\WEB		
MATERIAL:		NYLON 6/6
DATE	SCALE	SD
	5:1	