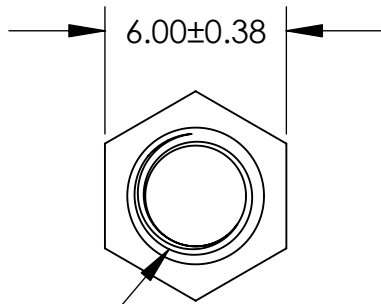
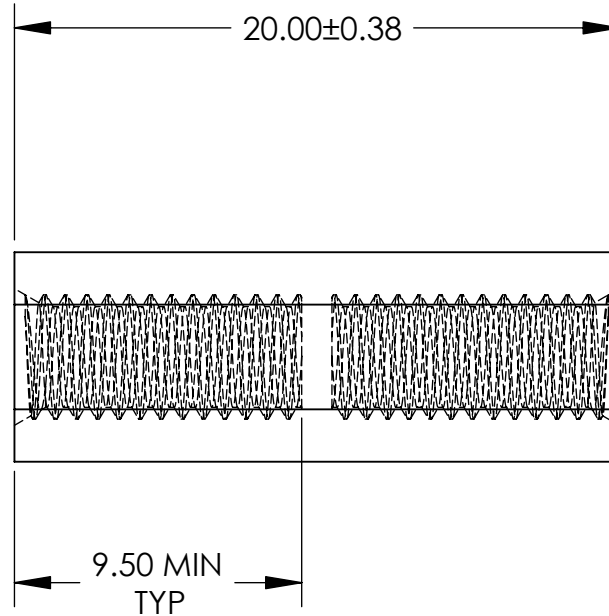


**UNCONTROLLED DOCUMENT**



M4 X 0.70 THREADS



ALL DIMENSIONS ARE IN MILLIMETERS  
TOLERANCES UNLESS NOTED

- ±.13MM ON DIMENSIONS THRU 15.88MM
- ±.20MM ON DIMENSIONS 15.89MM THRU 25.41MM
- ±.25MM ON DIMENSIONS 25.42MM THRU 38.10MM
- ±.38MM ON DIMENSIONS LARGER THAN 38.10MM

**WE RESERVE THE RIGHT  
TO DISCONTINUE ITEMS,  
CHANGE SPECIFICATIONS  
OR DESIGN AT ANY TIME  
WITHOUT NOTICE AND  
WITHOUT INCURRING  
ANY OBLIGATIONS**

|  |       |            |
|--|-------|------------|
| PROPERTY OF  |       |            |
| <b>MICRO PLASTICS INC.</b>   |       |            |
| CATALOG DRAWING<br>TAPPED HEX SPACER, 20MM<br>MICRO P/N 14MMHTSP020<br>DWG. # 14MMHTSP020<br>FILE SERVER\ENG\WEB |       |            |
| MATERIAL:  |       | 6/6 NYLON  |
| DATE   | SCALE | <b>DSB</b> |
|  | 4:1   |            |