



COMPRESSION LOCK



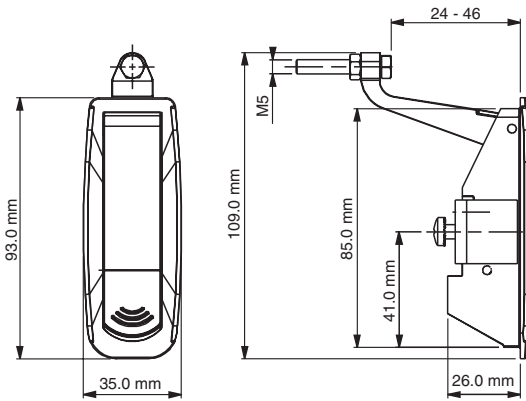
Specifications

- Material:
 - Body: Zinc Alloy (Zamak) DIN-EN 1774-ZnAl4Cu1
 - Handle: Zinc Alloy (Zamak) DIN-EN 1774-ZnAl4Cu1
 - Installation Bracket: Steel
- Suitable for maximum 2 mm door thickness

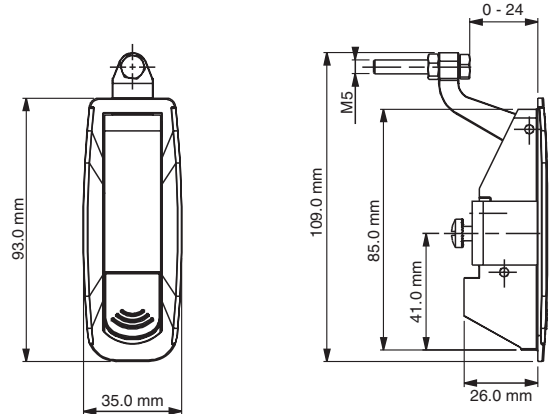
Features

- Available with or without cylinder
- Assemble lock with one installation bracket
- Applications: Generators, compressors, electric panels, machinery covers

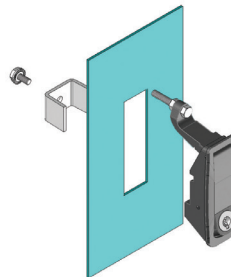
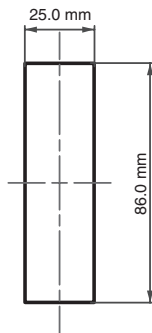
Version 1



Version 2



Cut Out



Item Number	Material	Finish	Driver	Grip Adjustment	Version
0771100	Zinc Alloy	Chrome	No cylinder	24 mm - 46 mm	1
0771103	Zinc Alloy	Chrome	Euro Key	24 mm - 46 mm	1
0771200	Zinc Alloy	Black	No cylinder	24 mm - 46 mm	1
0771203	Zinc Alloy	Black	Euro Key	24 mm - 46 mm	1
0772100	Zinc Alloy	Chrome	No cylinder	0 mm - 22 mm	2
0772103	Zinc Alloy	Chrome	Euro Key	0 mm - 22 mm	2
0772200	Zinc Alloy	Black	No cylinder	0 mm - 22 mm	2
0772203	Zinc Alloy	Black	Euro Key	0 mm - 22 mm	2