



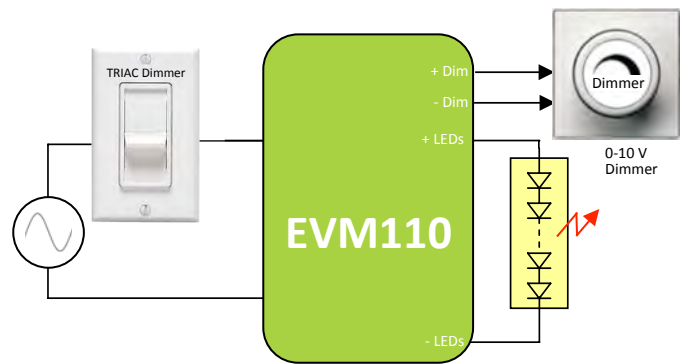
Tri-Mode Dimming (0-10 V & TRIAC/ELV) Constant Current LED Drivers with Deep Dimming

Input Voltage	Max. Output Power	Output Voltage	Output Current	Efficiency	Max. Case Temperature	THD	Power Factor	Dimming Method	Dimming Range	Startup Time
90 to 305 Vac maximum	120 W	30 to 84 Vdc	1.05 to 2.8 A CC	≥ 87% typical	90°C (measured at the hot spot)	< 20%	> 0.9	Forward-Phase, Reverse-Phase & 0 - 10V	1 - 100% (% of Iout)	400 ms

CC: Constant Current

FEATURES

- Compatible with TRIAC (forward-phase or leading-edge) / ELV (reverse-phase or trailing-edge) and 0-10 V dimmers
- TRIAC dimming only at 120 Vac
- Outdoor surge protection: 3 kV line to line/6 kV line to earth
- Linear 0-10V dimming transfer function: 10V=100%, 1V=10%, 0.1V=1%
- Protections: output open load, over-current and short-circuit (hiccup), and over-temperature with auto recovery
- Conducted and radiated EMI: Compliant with FCC CFR Title 47 Part 15 Class B (120 Vac)/Class A (277 Vac) and EN55015 (CISPR 15) at 220/230/240 Vac
- Enables ENERGY STAR® and DLC (DesignLight Consortium®) luminaire compliance
- IP20-rated Bottom Leads with Studs metal case with silicone-based potting. Optional IP64 metal case with side leads
- Lifetime: 50,000 hours
- 90°C maximum case hot spot temperature
- Class 2 power supply (only some models)
- Double-insulated power supply between input and output (class II) □
- Worldwide safety approvals



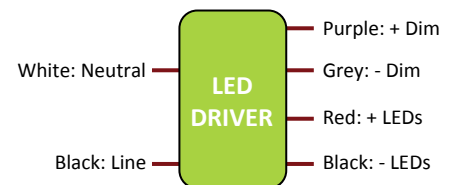
APPLICATION DIAGRAM



METAL CASE
L 144 x W 70 x H 40 mm
(L 5.67 x W 2.76 x H 1.57 in)

APPLICATIONS

- High Bay Lights
- Metal Halide replacement
- Outdoor LED Lighting
- Suitable for driving high current COB LEDs such as Cree's CXA3050/3070/3590, Bridgelux' Vero series and modules such as Cree's LMH020 6000/8000
- Industrial LED Lighting
- Tunnels and street lighting
- Wide-area downlights



WIRING DIAGRAM



ENERGY RECOVERY PRODUCTS™

**EVM Series 60-120 W**

Tri-Mode Dimming (0-10 V & TRIAC/ELV) Constant Current LED Drivers with Deep Dimming

1 - INPUT SPECIFICATION (@25°C ambient temperature)

	Units	Minimum	Typical	Maximum	Notes
AC Line Input Voltage Range (Vin)	Vac	90	120/220/230/ 240/277	305	
Input Frequency Range	Hz	47	60 / 50	63	
Power Factor (PF)		0.9	> 0.9		At nominal input voltage
Inrush Current	A	Meets NEMA-410 requirements			At any point on the sine wave and 25°C
Leakage Current	µA			250 µA @ 120 Vac 500 µA @ 230 Vac 600 µA @ 277 Vac	Measured per IEC60950-1
Input Harmonics	Complies with IEC61000-3-2 for Class C equipment				
Total Harmonics Distortion (THD)				20%	<ul style="list-style-type: none"> At nominal input voltage and nominal LED load Complies with DLC (DesignLight Consortium) technical requirements v2.1
Efficiency			87% 89%	-	<ul style="list-style-type: none"> At 120 Vac At 277 Vac
Isolation	Meets UL60950-1 for class II reinforced/double insulation power supply <input type="checkbox"/>				

2 - OUTPUT SPECIFICATION (@25°C ambient temperature)

	Units	Minimum	Typical	Maximum	Notes
Output Voltage (Vout)	Vdc	30		84.0	See ordering information for details
Output Current (Iout)	A	1.05		2.8	See ordering information for details
Output Current Regulation	%	-5	±2.5	+5	Includes AC line voltage, load, and current set point variations
Output Current Overshoot	%	-	-	10	The driver does not operate outside of the regulation requirements for more than 500 ms during power on with nominal LED load and without dimmer.
Ripple Current	< 25% peak-to-peak of rated output current				<ul style="list-style-type: none"> Measured at nominal LED voltage and nominal input voltage without dimming. Calculated in accordance with the IES Lighting Handbook, 9th edition.
Dimming Range (% of Iout)	%	1		100	The dimming range will be dependent on each specific dimmer.
Start-up Time	ms		400		With nominal LED voltage and without dimmer attached
			500		With nominal LED voltage, with an approved dimmer attached (see list of approved dimmers in page 5) and at the full dimming conduction angle

Output Controls

+Dim, -Dim	A dimming input can be used to adjust the output setting via a standard commercial wall dimmer, an external control voltage source (0 to 10 Vdc), or a variable resistor when using the recommended number of LEDs. The dimming input permits 1% to 100% dimming.
-------------------	---



ENERGY RECOVERY PRODUCTS™

**EVM Series 60-120 W**

Tri-Mode Dimming (0-10 V & TRIAC/ELV) Constant Current LED Drivers with Deep Dimming

3 - ENVIRONMENTAL CONDITIONS

	Units	Minimum	Typical	Maximum	Notes
Operating Case Temperature (Tc)	°C	-30		90	Case temperature measured at the hot spot •tc (see label in page 10)
Storage Temperature	°C	-40		85	
Humidity	%	5	-	95	Non-condensing
Cooling	Convection cooled				
Acoustic Noise	dBA			22	Measured at a distance of 1 foot (30 cm) without and with approved dimmers
Mechanical Shock Protection	per EN60068-2-27				
Vibration Protection	per EN60068-2-6 & EN60068-2-64				
MTBF	> 300,000 hours when operated at nominal input and output conditions, and at Tc ≤ 70°C				
Lifetime	50,000 hours at 70°C maximum case hot spot temperature (see hot spot •tc on label in page 10)				

4 - EMC COMPLIANCE AND SAFETY APPROVALS

EMC Compliance			
Conducted and Radiated EMI	<ul style="list-style-type: none"> •FCC CFR Title 47 Part 15 Class B at 120 Vac and Class A at 277 Vac, •EN55015 (CISPR 15) compliant at 220/230/240 Vac 		
Harmonic Current Emissions	IEC61000-3-2	For Class C equipment	
Voltage Fluctuations & Flicker	IEC61000-3-3		
Immunity Compliance	ESD (Electrostatic Discharge)	IEC61000-4-2	6 kV contact discharge, 8 kV air discharge, level 3
	RF Electromagnetic Field Susceptibility	IEC61000-4-3	3 V/m, 80 - 1000 MHz, 80% modulated at a distance of 3 meters
	Electrical Fast Transient	IEC61000-4-4	± 2 kV on AC power port for 1 minute, ±1 kV on signal/control lines
	Surge	IEC61000-4-5	± 3 kV line to line (differential mode) /± 6 kV line to common mode ground (tested to secondary ground) on on AC power port, ±0.5 kV for outdoor cables
	Conducted RF Disturbances	IEC61000-4-6	3 V, 0.15-80 MHz, 80% modulated
	Voltage Dips	IEC61000-4-11	>95% dip, 0.5 period; 30% dip, 25 periods; 95% reduction, 250 periods
Transient Protection	Ring Wave	ANSI/IEEE c62.41.1-2002 & c62.41.2-2002 category A, 2.5 kV ring wave	

Safety Agency Approvals		
UL	UL8750 recognized	UL60950-1 recognized
cUL	CSA C22.2 60950-1	
CE	IEC61347-2-13 electronic control gear for LED Modules	

Safety					
	Units	Minimum	Typical	Maximum	Notes
Hi Pot (High Potential)	Vdc	4242			<ul style="list-style-type: none"> •Insulation between the input (AC line and Neutral) and the output •Tested at the RMS voltage equivalent of 3000 Vac



ENERGY RECOVERY PRODUCTS™



EVM Series 60-120 W

Tri-Mode Dimming (0-10 V & TRIAC/ELV) Constant Current LED Drivers with Deep Dimming

■ 5 - PROTECTION FEATURES

Under-Voltage (Brownout)

The EVM series provides protection circuitry such that an application of an input voltage below the minimum stated in paragraph 1 (Input Specification) shall not cause damage to the driver.

Short Circuit

The EVM series is protected against short-circuit such that a short from any output to return shall not result in a fire hazard or shock hazard. The driver shall hiccup as a result of a short circuit or over current fault. Removal of the fault will return the driver to within normal operation. The driver shall recover, with no damage, from a short across the output for an indefinite period of time.

Internal Over temperature Protection

The EVM series incorporates circuitry that prevents internal damage due to an over temperature condition. An over temperature condition may be a result of an excessive ambient temperature or as a result of an internal failure. When the over temperature condition is removed, the driver shall automatically recover.

Output Open Load

When the LED load is removed, the output voltage of the EVM series is limited to 1.3 times the maximum output voltage of each model.



Tri-Mode Dimming (0-10 V & TRIAC/ELV) Constant Current LED Drivers with Deep Dimming

6 - PHASE-CUT DIMMING

Dimming of the driver is possible with standard TRIAC-based incandescent dimmers that chop the AC voltage as shown in Figure 1, or with ELV dimmers. During the rapid rise time of the AC voltage when the dimmer turns on, the driver does not generate any voltage or current oscillations, and inrush current is controlled. During the on-time of the AC input, the driver regulates the output current based upon the conduction angle. The RMS value of the driver output current is proportional to the on-time of the AC input voltage. When operating with an incandescent dimmer, the RMS output current varies depending upon the conduction angle and RMS value of the applied AC input voltage. Figure 2 shows the typical output current versus conduction angle at nominal input voltage.

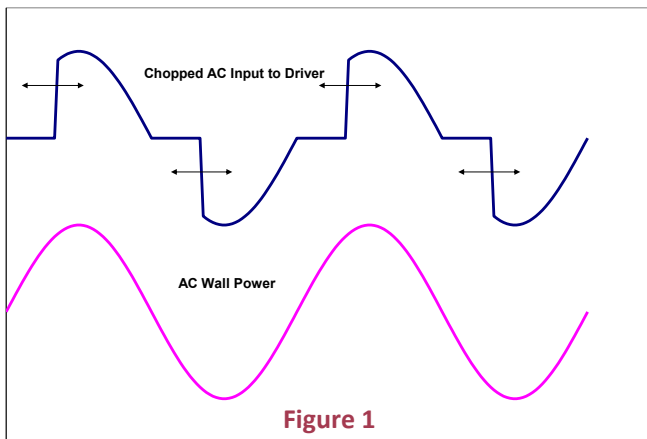


Figure 1

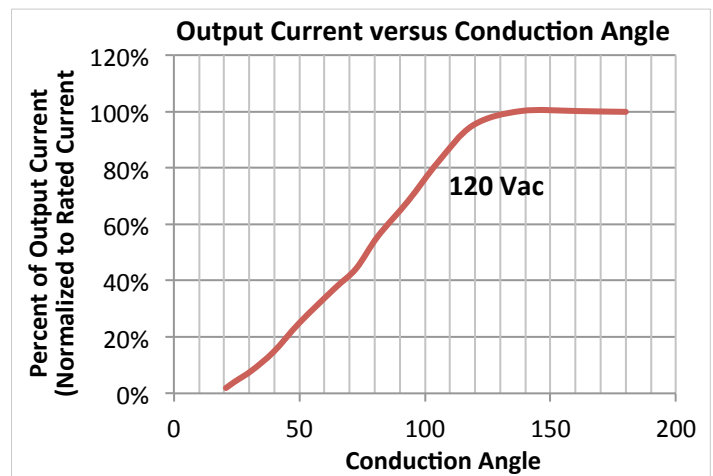


Figure 2

7 - COMPATIBLE PHASE-CUT DIMMERS & DIMMING RANGE

120Vac Dimmers					
Mfg.	Model	Mfg.	Model	Mfg.	Model
Lutron	S-603PG	Lutron	DVELV-303P	Lutron	CT-103P
Leviton	IPI06-1LZ	Lutron	SELV-300P	Cooper	SLC03P
Leviton	6631-2	Leviton	6683-IW	Leviton	IPE04
Lutron	DVCL-153P	Leviton	6161	Lutron	MAELV-600
Lutron	DV-600P	Leviton	6633-P	Lutron	FAELV-500
Lutron	TGCL-153P	Lutron	TG-600P	Lightolier	ZP260QEWE
Lutron	S-600P	Cooper	DLC03P	Cooper	DAL06P
Leviton	VPE06	Lutron	LG-600P		



Tri-Mode Dimming (0-10 V & TRIAC/ELV) Constant Current LED Drivers with Deep Dimming

8 - 0-10V DIMMING

The EVM drivers operate only with 0-10V dimmers that sink current. They are not designed to operate with 0-10V control systems that source current, as used in theatrical/entertainment systems. Developed in the 1980's, the 0-10V sinking current control method is adopted by the International Electrotechnical Commission (IEC) as part of their IEC Standard 60929 Annex E.

The method to dim the output current of the driver is done via the +Dim/-Dim Signal pins. The +Dim/-Dim Signal pins respond to a 0 to 10 V signal, delivering 1% to 100% of the output current based on rated current for each model. A pull-up resistor is included internal to the driver. When the +Dim input (purple) is short circuited to the -Dim wire (grey) or to the -LED wire (black), there is no output current. When the +Dim input (purple) is ≤ 1 V, the output current is programmed to $\leq 10\%$ of rated current. If the +Dim input is >10 V or open circuited, the output current is programmed to 100% of the rated current.

When not used, the -Dim wire (grey) and to the +Dim wire (purple) can be capped or cut off. In this configuration, no dimming is possible and the driver delivers 100% of its rated output current.

The maximum source current (flowing from the driver to the 0-10V dimmer) supplied by the +Dim Signal pin is < 1 mA. The tolerance of the output current while being dimmed shall be $\pm 8\%$ typical until down to 2V.

There are two 0-10V dimming transfer functions available, a linear curve where 10V = 100% of the output current and 1V = 10% of the output current (seen in figure 3) or a non-linear curve where the 9V = 100% of the output current and 1V = 1% of the output current (seen in figure 4).

The non-linear curve is recommended when using standard in wall 0-10V logarithmic dimmers to avoid having insufficient source current available to pull the dimmer up to 10V and to account for the inability of the dimmer to pull below approximately 0.9V. In these types of installations, the modified transfer function will ensure 100% light output and dimming to 1%, regardless of the number of drivers on the 0-10V dimming line.

Normalized Output Current vs Dimming Voltage

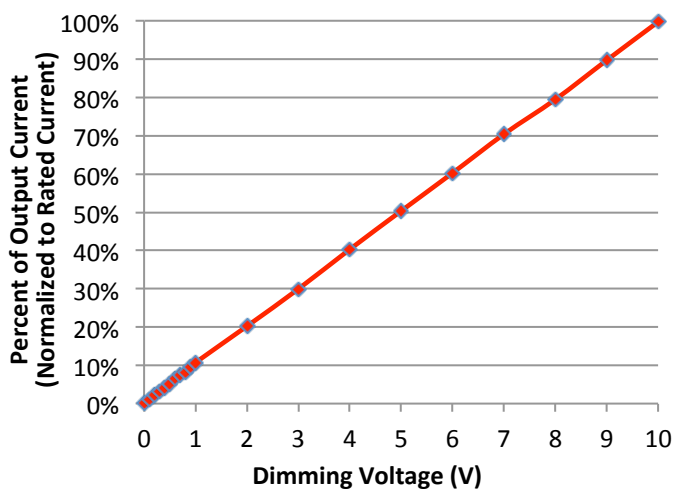


Figure 3

Normalized Output Current vs Dimming Voltage

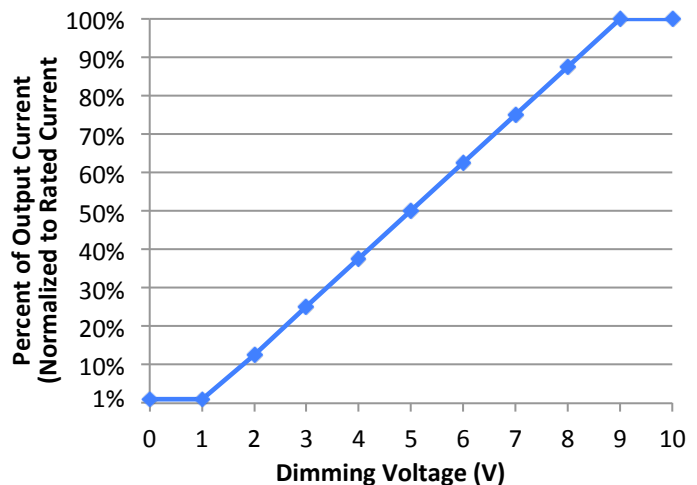


Figure 4



Tri-Mode Dimming (0-10 V & TRIAC/ELV) Constant Current LED Drivers with Deep Dimming

8 - 0-10V DIMMING (CONTINUED)

A fixed or variable resistor can be also used from the dimming input to the return to adjust the output current. Figure 5 show the relationship of the output current to a resistor connected across the 0-10V dimming input

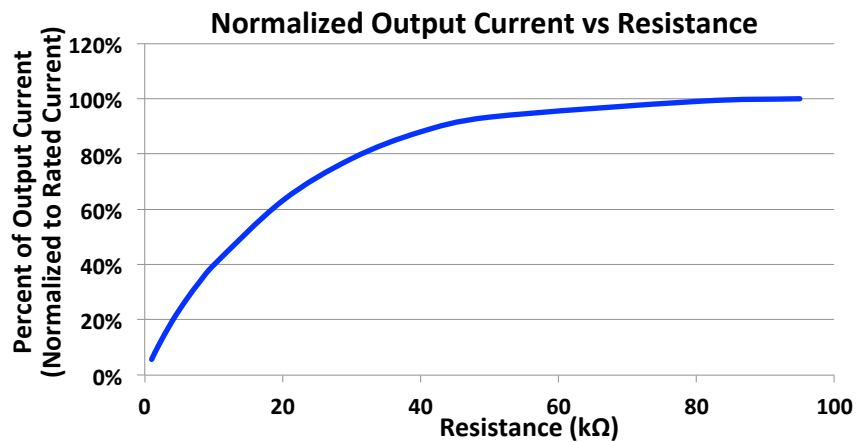


Figure 5

9 - COMPATIBLE 0-10V DIMMERS

- Lutron, Nova series (part number NFTV)
- Lutron, Diva series (part number DVTV)
- Leviton, IllumaTech series (part number IP710-DL)



Tri-Mode Dimming (0-10 V & TRIAC/ELV) Constant Current LED Drivers with Deep Dimming

10 - MECHANICAL DETAILS

Packaging Options: Metal

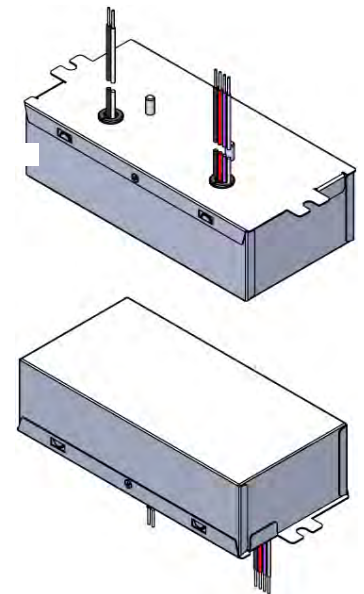
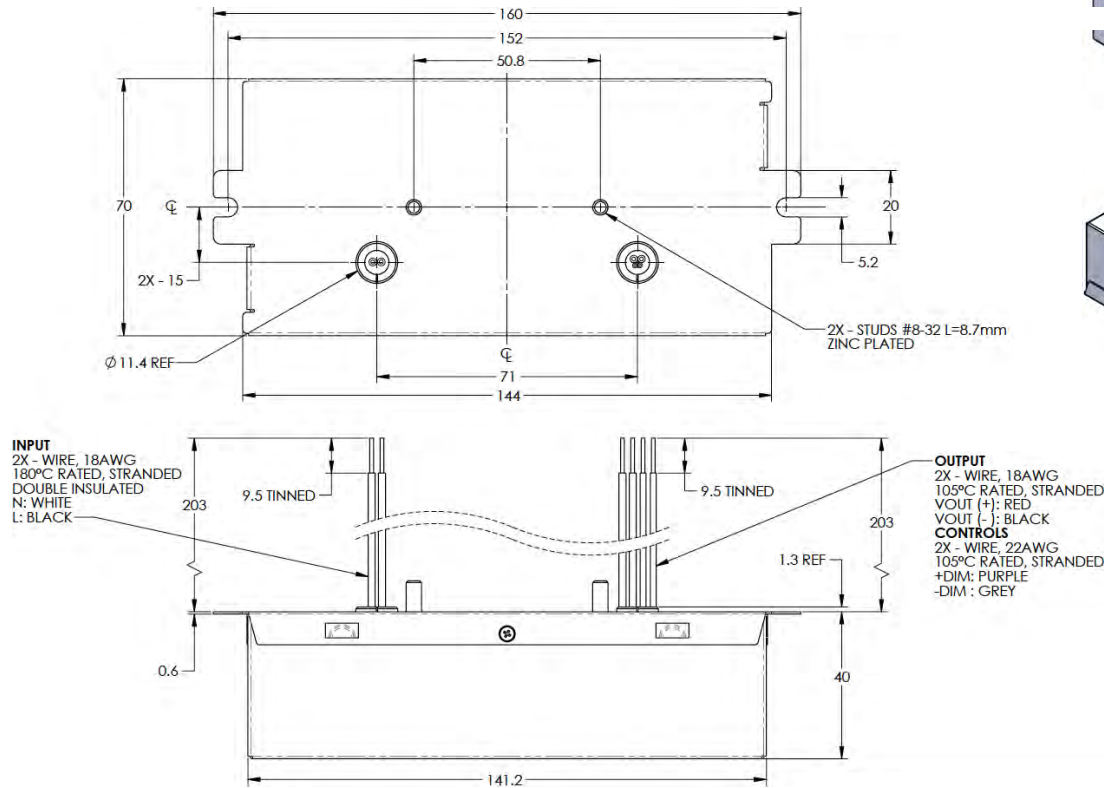
I/O Connections: Flying leads, 18 AWG on power leads, 22 AWG on control leads, 203 mm (8") long, 105°C rated, double insulated stranded, stripped by approximately 9.5mm and tinned. All the wires, on both input and output, have a 300 V insulation rating. Input wires have double insulation.

Ingress Protection: IP20 rated

11 - OUTLINE DRAWINGS

Dimensions: L 144 x W 70 x H 40 mm (L 5.66 x W 2.76 x H 1.57 in)

Volume: 403.2 cm³ (24.6 in³)

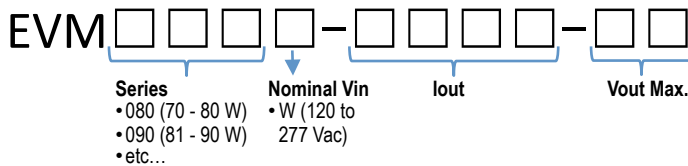


All dimensions are in mm



Tri-Mode Dimming (0-10 V & TRIAC/ELV) Constant Current LED Drivers with Deep Dimming

12 - ORDERING INFORMATION - MODEL DESCRIPTION



ERP Part Number	Nominal Input Voltage (Vac)	Iout (mA)	Max Output Power (W)	Vout Min (Vdc)	Vout Nom (Vdc)	Vout Max (Vdc)	No Load Voltage (Vdc)
EVM060W: up to 60W							
EVM060W-1400-42-C0B	120 - 277	1400	58.8	30	37.8	42	50
EVM080W: 71-80W							
EVM080W-1900-42	120 - 277	1900	79.8	30	37.8	42	50
EVM090W: 81-90W							
EVM090W-1050-84 ^[1]	120 - 277	1050	88.2	70	75.6	84	100
EVM090W-1700-48-N1B ^[2]	120 - 277	1700	81.6	37	43.2	48	60
EVM090W-2000-42	120 - 277	2000	84.0	30	37.8	42	50
EVM100W: 91-100W							
EVM100W-1200-80 ^[1]	120 - 277	1200	96.0	66	72	80	104
EVM100W-1200-84 ^[1]	120 - 277	1200	100.8	70	75.6	84	100
EVM100W-2100-45	120 - 277	2100	94.5	32	40.5	45	58.5
EVM110W: 101-110W							
EVM110W-2000-52-N1B ^{[1][3]}	120 - 277	2000	104.0	40	46.8	52	60
EVM110W-2500-42 ^[1]	120 - 277	2500	105.0	30	37.8	42	50
EVM120W: 111-120W							
EVM120W-1400-80 ^[1]	120 - 277	1400	112.0	66	72	80	104
EVM120W-1400-84 ^[1]	120 - 277	1400	117.6	70	75.6	84	100
EVM120W-2500-45 ^[1]	120 - 277	2500	112.5	32	40.5	45	58.5
EVM120W-2700-42 ^[1]	120 - 277	2700	113.4	30	37.8	42	50
EVM120W-2800-42 ^[1]	120 - 277	2800	117.6	30	37.8	42	50

Notes:

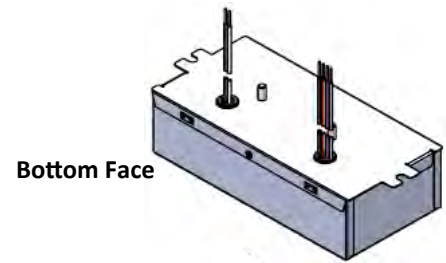
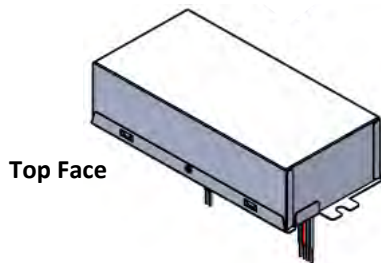
- (1) Not class 2.
- (2) The EVM090W-1700-48-N1B is specifically intended to drive the Cree LMH020 6000 module and exhibits a customized 0-10V dimming transfer function.
- (3) The EVM110W-2000-52-N1B is specifically intended to drive the Cree LMH020 8000 module and exhibits a customized 0-10V dimming transfer function.
- For additional options of output current and output voltage, contact your sales representative or send an email to: SaveEnergy@ERPPowerLLC.com.



Tri-Mode Dimming (0-10 V & TRIAC/ELV) Constant Current LED Drivers with Deep Dimming

13 - LABELING

The EVM090W-1700-48 is used in figures 7 & 8 as an example to illustrate a typical label.



EVM090W-1700-48
Dimmable Constant Current LED Driver
Max case temperature $t_c = 90^\circ\text{C}$
Class II
Suitable for operation with a TRIAC dimmer
Suitable for dry or damp locations

AC INPUT:
120-277 V ~ 1.2 A
50/60 Hz
PF ≥ 0.9
THD $\leq 20\%$
L-BLACK
N-WHITE

Designed in the USA
Made in China

t_c

DC OUTPUT:
Regulated current 1700mA
Maximum power 81.6 W
Voltage range 37-48 Vdc
No load voltage 60 Vdc
+ RED
- BLACK
+ DIM: PURPLE
- DIM: GREY
(For 0-10V dimming)

Figure 7

EVM090W-1700-48

<p>AC INPUT: 120-277 V ~ 1.2A 50/60 Hz PF ≥ 0.9 THD $\leq 20\%$ L-BLACK N-WHITE</p>	<p>DC OUTPUT: Regulated current 1700 mA Maximum power 81.6 W Voltage range 37-48 Vdc No load voltage 60 Vdc + RED - BLACK + DIM: PURPLE - DIM: GREY (For 0-10V dimming)</p>
---	--

Figure 8

USA Headquarters
Tel: +1-805-517-1300
Fax: +1-805-517-1411
301 Science Drive, Suite 210
Moorpark, CA 93021, USA

CHINA Operations
Tel: +86-756-6266298
Fax: +86-756-6266299
No. 8 Pingdong Road 2
Zhuhai, Guangdong, China 519060

ERP - Energy Recovery Products (ERP Power, LLC) - reserves the right to make changes without further notice to any products herein. ERP makes no warranty, representation or guarantee regarding the suitability of its products for any particular purpose, nor does ERP assume any liability arising out of the application or use of any product or circuit, and specifically disclaims any and all liability, including without limitation special, consequential or incidental damages. "Typical" parameters which may be provided in ERP data sheets and/or specifications can and do vary in different applications and actual performance may vary over time. All operating parameters, including "Typicals" must be validated for each customer application by customer's technical experts. ERP does not convey any license under its patent rights nor the rights of others. ERP products are not designed, intended, or authorized for use as components in systems intended for surgical implant into the body, or other applications intended to support or sustain life, or for any other application in which the failure of the ERP product could create a situation where personal injury or death may occur. Should Buyer purchase or use ERP products for any such unintended or unauthorized application, Buyer shall indemnify and hold ERP and its officers, employees, subsidiaries, affiliates, and distributors harmless against all claims, costs, damages, and expenses, and reasonable attorney fees arising out of, directly or indirectly, any claim of personal injury or death associated with such unintended or unauthorized use, even if such claim alleges that ERP was negligent regarding the design or manufacture of the part. ERP is an Equal Opportunity/Affirmative Action Employer. This literature is subject to all applicable copyright laws and is not for resale in any manner.