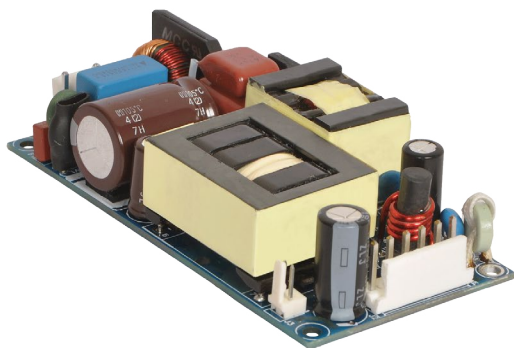



225 Watt Industrial



Features

- 4 x 2 x 1 Inches Form factor
- 225 Watts with Forced Air Cooling
- Efficiencies upto 94%
- -40 to 70 degree operating temperature*
- 12V / 0.5A Fan Output, Thermal Shut-Down feature
- 3.37m Hours, Telcordia -SR332-issue 3 MTBF
- No Load Power < 0.5W
- Now IEC/EN/UL62368-1 Compliant 
- Approved with metal enclosures/accessories

Electrical Specifications

Input Voltage	85-264 VAC/390 VDC, Universal (Derate from 100% at 100V AC to 95% at 85V AC)	
Input Frequency	47-63 Hz	
Input Current	115 VAC: 2.2 A max.	230 VAC: 1.1 A max.
No Load Power	less than 0.5W typical	
Inrush Current	115 VAC – 25 A, 230 VAC – 45 A, 264 VAC – 75 A	
Leakage Current	300 uA Typical, (N.A. For Class II Option)	Touch current <100uA
Efficiency	94%(48V), 93%(24V,30V), 92%(12V,15V)	
Hold-up Time	at 225W:10 ms ; 110W: 16 ms	
Power Factor	exceeds 0.95 with Full Load	
Output Power	225W with 13 CFM /500LFM, upto 130W Convection	
Line Regulation	+/-0.5%	
Load Regulation	+/-0.5%	
Transient Response	25% step load change, at 0.1A/uS slew rate, 50% duty cycle, 50Hz=4% , recovery time < 5 ms	
Rise Time	55ms typical	
Set Point Tolerance	+/-1%	
Output Voltage Adjustment	+/-3% (Ref. Note 8)	
Over Current Protection	>110%	
Over Voltage Protection	110 to 140%	
Short Circuit Protection	Hiccup mode	
Switching Frequency	PFC – 70 to 130 KHz ,PWM – 50-80 KHz	
Operating Temperature ⁷	- 40 to +70°C, * -40 to 0°C startup is guaranteed with spec deviation	
Storage Temperature	-40 to +85°C	
Relative Humidity	5% to 95%, noncondensing	
Altitude	Operating: 16,000 ft.; Nonoperating: 40,000 ft.	
MTBF	3.37m Hours, Telcordia -SR332-issue 3	
Isolation Voltage	Input to Output – 3000V AC for ITE application Input to GND - 1500 VAC (Not Applicable For Class II Option)	
Cooling	225W with 13 CFM /500LFM forced air cooling ⁶ (refer Mechanical Drawing) upto 130 W with natural convection cooling ⁶ (refer Derating Curve)	

Model Number	Power Supply Unit & its Installation Type	Power	Voltage	Max. Load (Convection) (121.85 W) 50°C	Max. Load (Convection) (130 W) 40°C	Max. Load (200 LFM) (185 W)	Max. Load (13 CFM/500LFM) (225 W)
FWLWP225-1X01-CK	In CK cover Kit	91 W	12 V	7.11 A	7.58 A	-	-
FWLWP225-1X01	In Open Frame						
FWLWP225-1X01-L	With L Bracket	225 W	12 V	10.15 A	10.83 A	15.41 A	18.75 A
FWLWP225-1X01-B	With Base Plate						
FWLWP225-1X01-U	With U channel						
FWLWP225-1X02-CK	In CK cover Kit	91 W	15 V	5.68 A	6.06 A	-	-
FWLWP225-1X02	In Open Frame						
FWLWP225-1X02-L	With L Bracket	225 W	15 V	8.12 A	8.67 A	12.33 A	15.0 A
FWLWP225-1X02-B	With Base Plate						
FWLWP225-1X02-U	With U channel						
FWLWP225-1X03-CK	In CK cover Kit	91 W	24 V	3.56 A	3.79 A	-	-
FWLWP225-1X03	In Open Frame						
FWLWP225-1X03-L	With L Bracket	225 W	24 V	5.08 A	5.42 A	7.70 A	9.37 A
FWLWP225-1X03-B	With Base Plate						
FWLWP225-1X03-U	With U channel						
FWLWP225-1X04-CK	In CK cover Kit	91 W	48 V	1.78 A	1.89 A	-	-
FWLWP225-1X04	In Open Frame						
FWLWP225-1X04-L	With L Bracket	225 W	48 V	2.54 A	2.71 A	3.85 A	4.68 A
FWLWP225-1X04-B	With Base Plate						
FWLWP225-1X04-U	With U channel						
FWLWP225-1X05-CK	In CK cover Kit	91 W	30 V	2.84 A	3.03 A	-	-
FWLWP225-1X05	In Open Frame						
FWLWP225-1X05-L	With L Bracket	225 W	30 V	4.06 A	4.33 A	6.16 A	7.5 A
FWLWP225-1X05-B	With Base Plate						
FWLWP225-1X05-U	With U channel						
FWLWP225-1X06-CK	In CK cover Kit	91 W	58 V	1.47 A	1.57 A	-	-
FWLWP225-1X06	In Open Frame						
FWLWP225-1X06-L	With L Bracket	225 W	58 V	2.10 A	2.24 A	3.19 A	3.88 A
FWLWP225-1X06-B	With Base Plate						
FWLWP225-1X06-U	With U channel						

For Screw Terminal version replace "X" above with "0" (example: FWLWP225-1005)
For Header version replace "X" above with "3" (example: FWLWP225-1305)



Innovations in Power

Connectors		
J1	Pin 1	AC LINE
	Pin 2	NOT FITTED
	Pin 3	AC NEUTRAL
J2 Option 1 & 2	Pin 1,2,3	V1 +VE
	Pin 4,5,6	V1 -VE
J3	Pin 1	FAN +VE
	Pin 2	FAN -VE

Notes

1. Ripple is peak to peak with 20 MHz bandwidth and 10 μ F (Electrolytic capacitor) in parallel with a 0.1 μ F capacitor at rated line voltage and load ranges.
2. Class II version available. Add "-II" suffix at the end of the Model Number to Order.
3. Combined output power of main output, fan supply shall not exceed max. Power rating.
4. Fan supply output voltage tolerance including set point accuracy, line and load regulation is +/-15 % and Ripple and noise is less than 10 %.
With V1 fully loaded, Vfan need to have min load of 20mA to be within regulation band.
5. Specifications are for nominal input voltage, 25°C unless otherwise stated.
6. 225W with 13CFM forced air cooling and 120W with natural convection cooling at 100 to 264VAC.
7. Output ripple can be more than 10% of the output voltage.
8. Adjustment potentiometer is located on the SMT side of the PCB.
9. When used in Cover Kit, de-rate output power to 70 % under all operating conditions

Mechanical Specifications

AC Input Connector (J1)	Molex: 26-60-4030 Mating: 09-50-3031; Pins: 08-50-0106
DC Output Connector (J2) Option 1 (Screw Terminal)	Molex: 39357 Series or equivalent
DC Output Connector (J2) Option 2 (Molex Connector)	Molex: 26-60-4060 Mating: 09-50-3061; Pins: 08-50-0106
Aux (Fan) Output(J3)	AMP :640456-2 Mating: 640440-2
Dimensions	4 x 2 x 1 inches (101.60 x 50.8x 25.4 mm)
Weight	200 gm approx

EMC

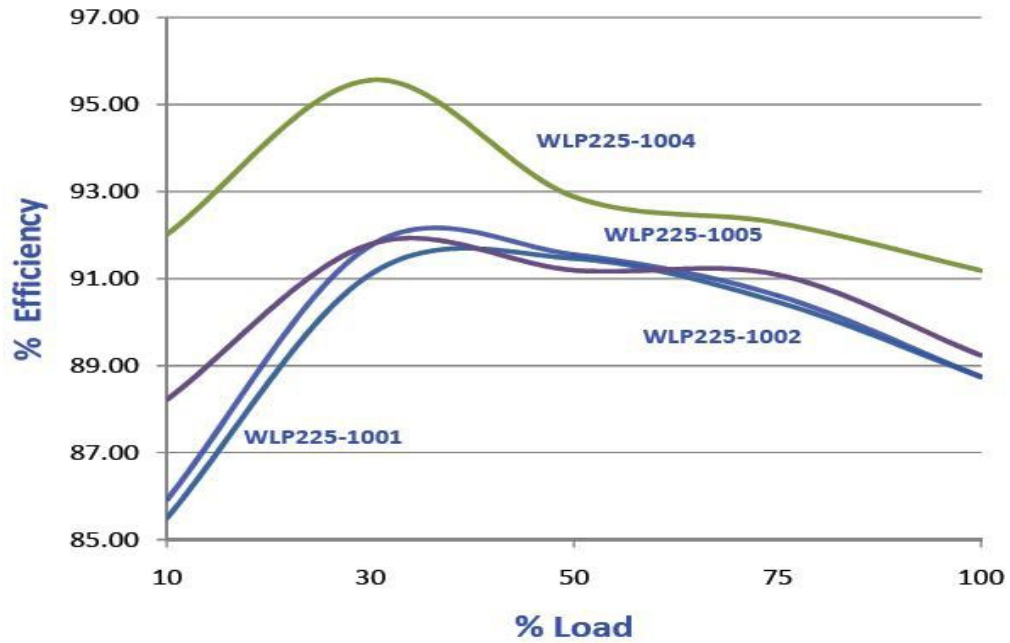
Parameter	Conditions/Description	Criteria
Conducted Emissions	EN55032-B, CISPR22-B, FCC PART15-B	Pass
Radiated Emissions	EN 55032 A	Pass Level B with external core (King core K5B RC 25x12x15-M in input cable)
Input Current Harmonics	EN 61000-3-2	Class D
Voltage Fluctuation and Flicker	EN 61000-3-3	Pass
ESD Immunity	EN 61000-4-2	Level 3, Criterion A
Radiated Field Immunity	EN 61000-4-3	Level 3, Criterion A
Electrical Fast Transient Immunity	EN 61000-4-4	Level 3, Criterion A
Surge Immunity	EN 61000-4-5	Level 3, Criterion A
Conducted Immunity	EN 61000-4-6	Level 3, Criterion A
Magnetic Field Immunity	EN 61000-4-8	Level 3, Criterion A
Voltage dips, interruptions	EN 61000-4-11	Criterion A & B

Safety

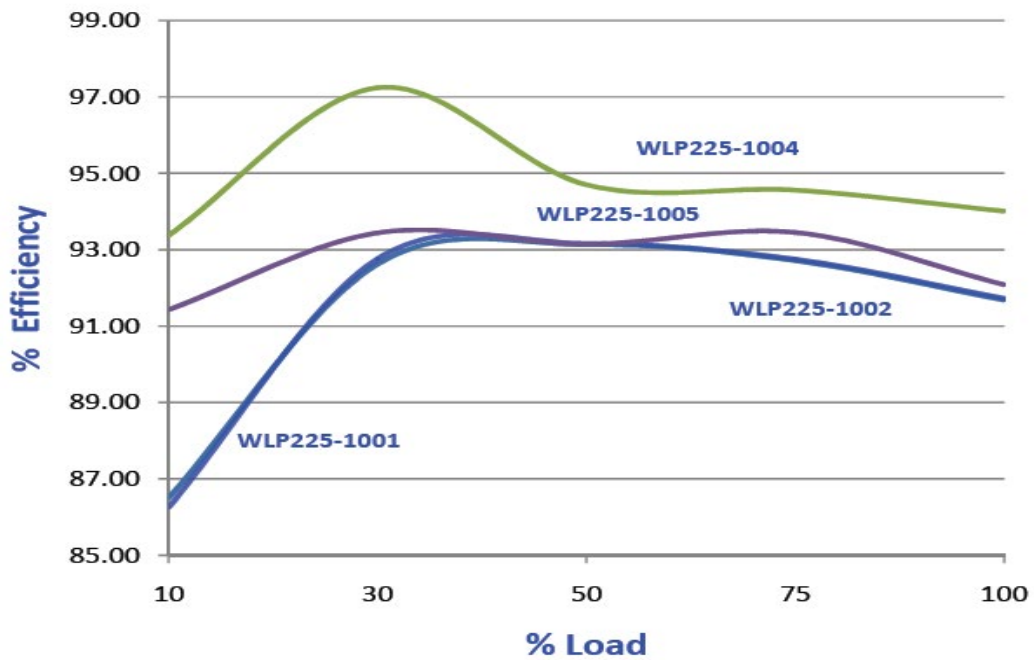
CE Mark	Complies with LVD Directive
Approval Agency	Nemko, UL, C-UL, CCC
Safety Standard(s)	EN60950-1, IEC60950-1 (ed.2), UL 60950 (ed.2), CSA C22.2 No.60950-1 (ed.2), Class1 SELV, IEC 62368-1:2018, GB4943. 1-2011; GB9254-2008; GB17625. 1-2012
Safety File Number(s)	Class-I : Nemko: Certificate No. P14219072, CB Certif. No.:NO110371 Class-II : Nemko: Certificate No. P14219134, CB Certif. No.NO83790 UL: Certificate Number 20141217-E150565

Efficiency Graph

WLP225-100X efficiency graph at 115V AC



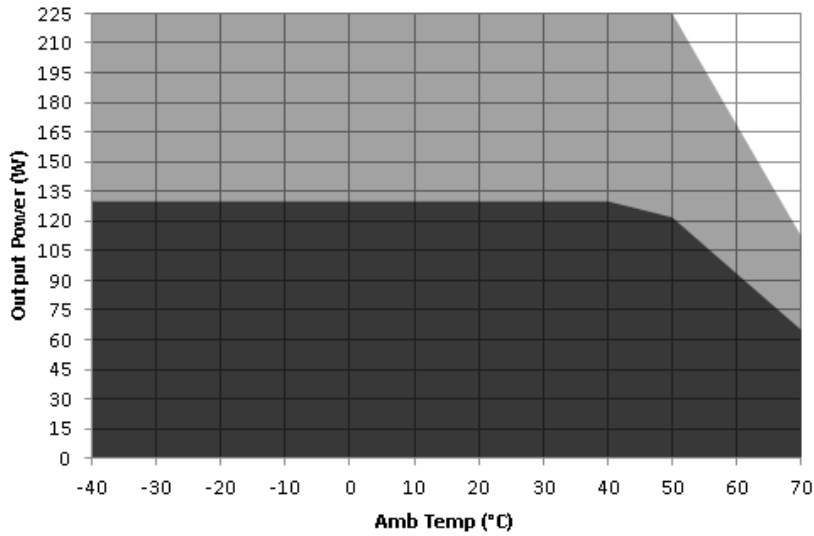
WLP225-100X efficiency graph at 230V AC



Innovations in Power

Derating Curve

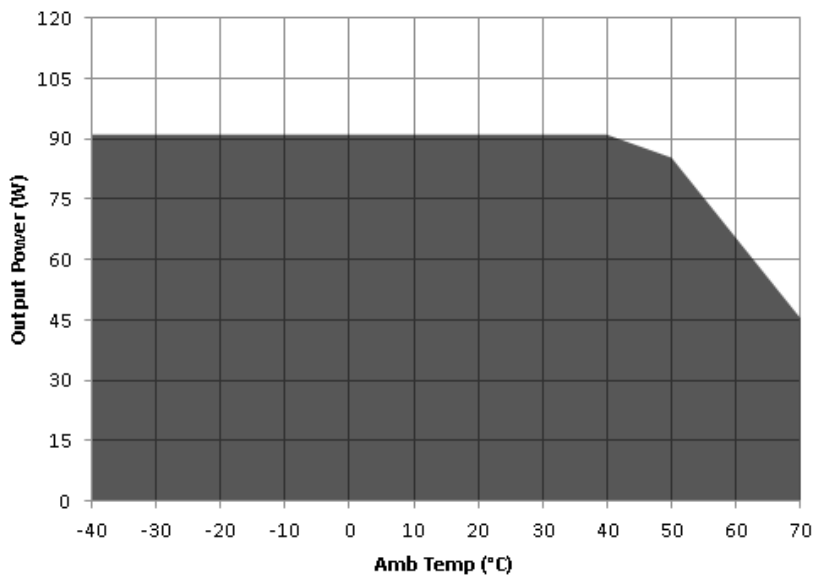
Power de-rating for Open frame/Base plate/L Bracket/U Channel



Convection load: 130W up to 40 °C
De-rate between 40-50 °C @ 0.625% per °C
De-rate above 50 °C @ 2.33% per °C

Forced air cooled load: 225W up to 50°C
De-rate above 50 °C @ 2.5% per °C

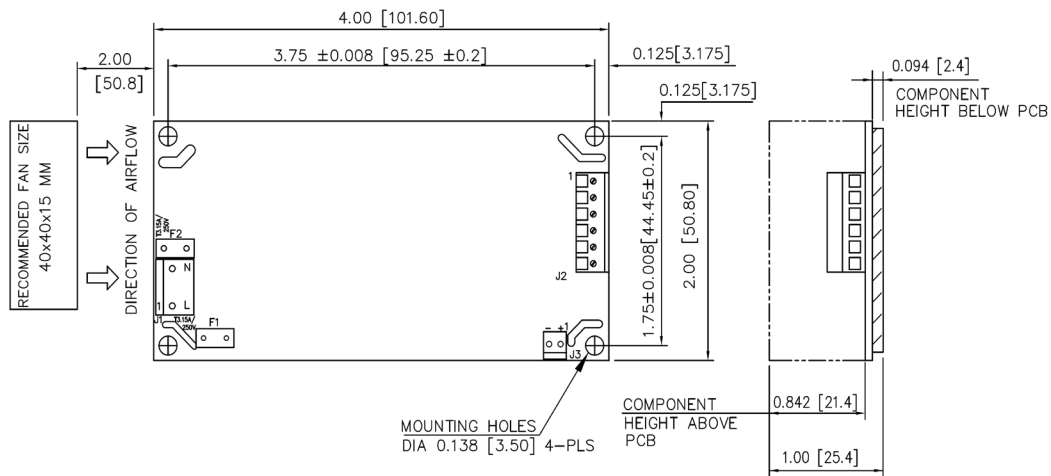
Power de-rating with CK



Convection load: 91W up to 40 °C
De-rate between 40-50 °C @ 0.625% per °C
De-rate above 50 °C @ 2.33% per °C

Mechanical Drawing

Option 1



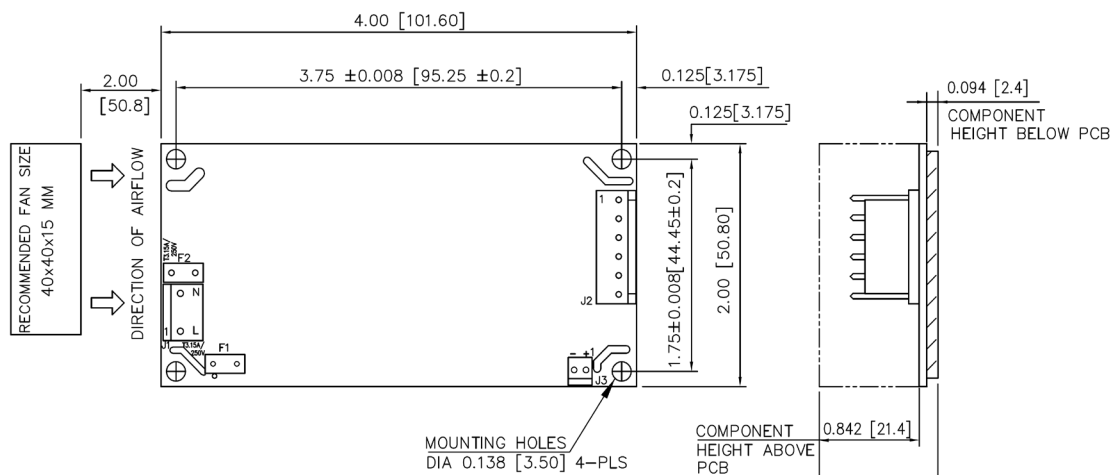
MECHANICAL OUTLINE DIMENSIONS
ALL DIMENSIONS ARE IN INCHES[MM]
GEN TOLERANCE : +/-0.04 [+/-1.0MM]

Notes: In case the PCB is mounted in a metal enclosure, using metal hardware ensure the following

1. Stand off, used to mount PCB has OD of 5.4 mm max.
2. Screws, used to fix PCB on stand off, have head dia of 6.0 mm max.
3. Washer, if used, to have dia of 6.5 mm max.

Mechanical Drawing

Option 2



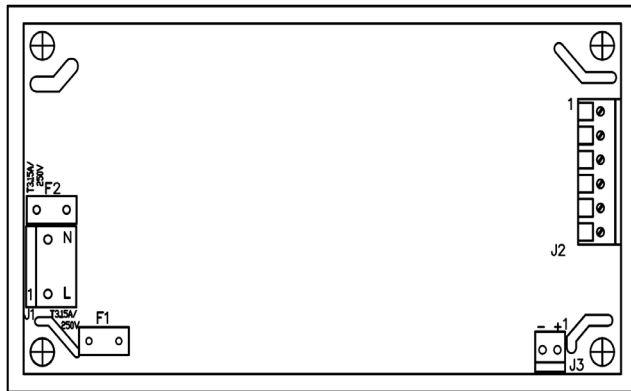
MECHANICAL OUTLINE DIMENSIONS
ALL DIMENSIONS ARE IN INCHES[MM]
GEN TOLERANCE : +/-0.04[+/-1.0MM]

Notes: In case the PCB is mounted in a metal enclosure, using metal hardware ensure the following

1. Stand off, used to mount PCB has OD of 5.4 mm max.
2. Screws, used to fix PCB on stand off, have head dia of 6.0 mm max.
3. Washer, if used, to have dia of 6.5 mm max.

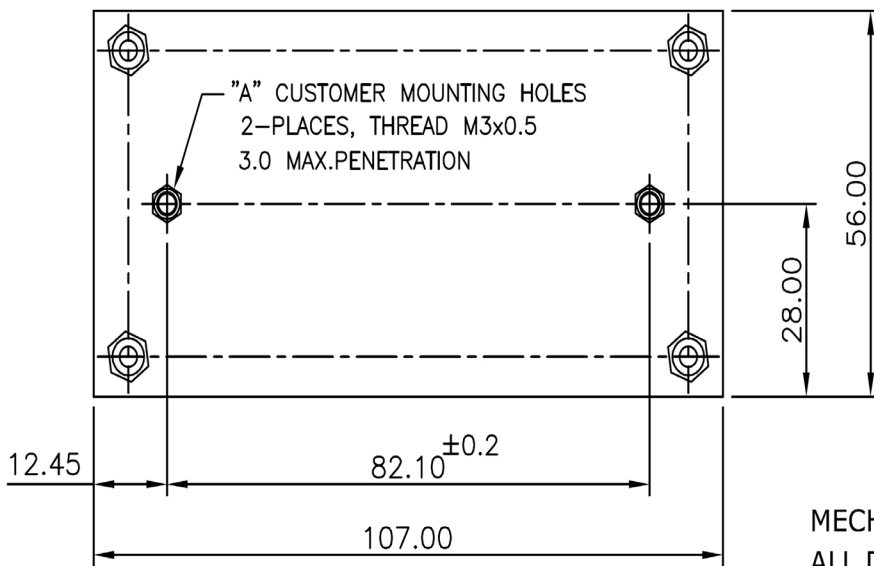
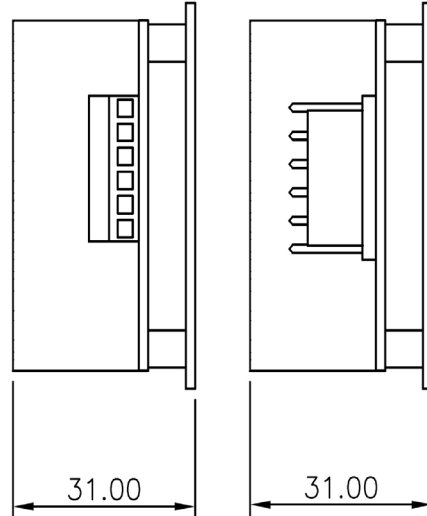
Mechanical Drawing

WLP225 SERIES WITH BASE PLATE



OPTION-1

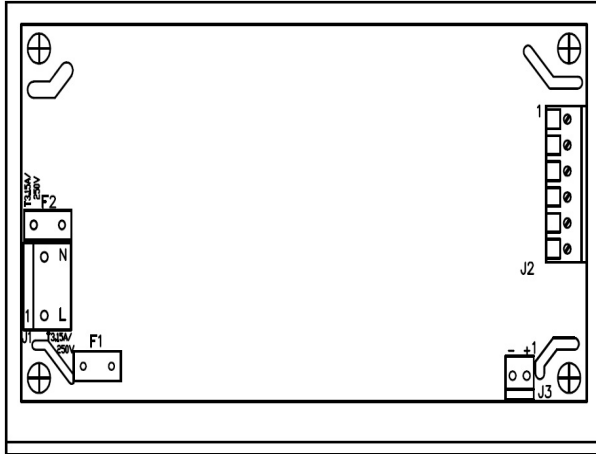
OPTION-2



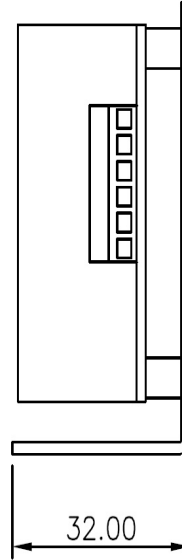
MECHANICAL OUTLINE DIMENSIONS
ALL DIMENSIONS ARE IN MM
GEN.TOLERANCE: +/-0.5 MM

Mechanical Drawing

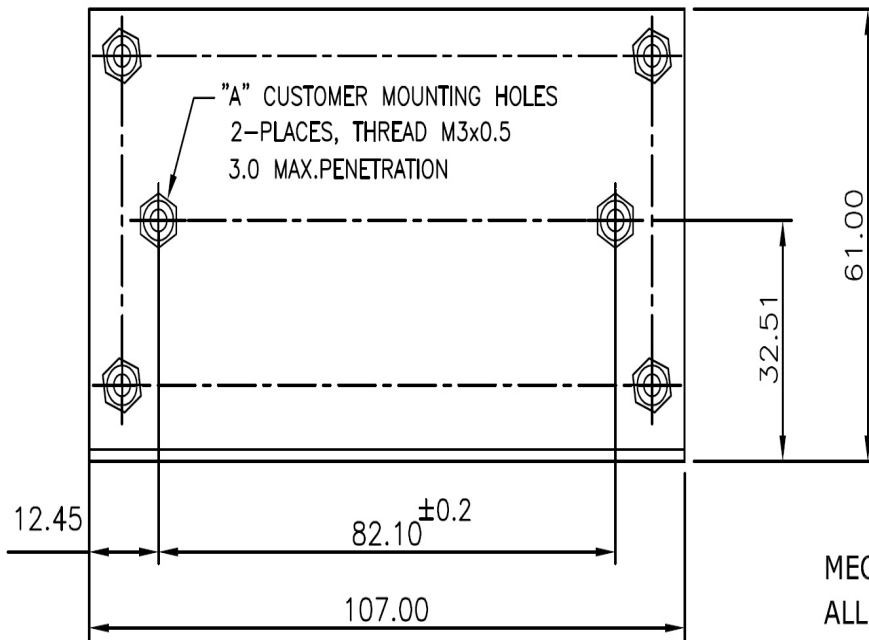
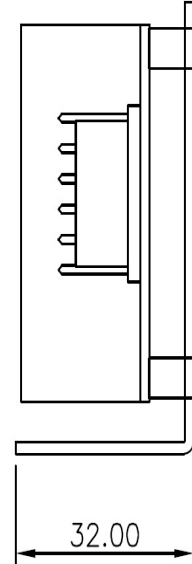
WLP225 SERIES WITH 'L' BRACKET



OPTION-1



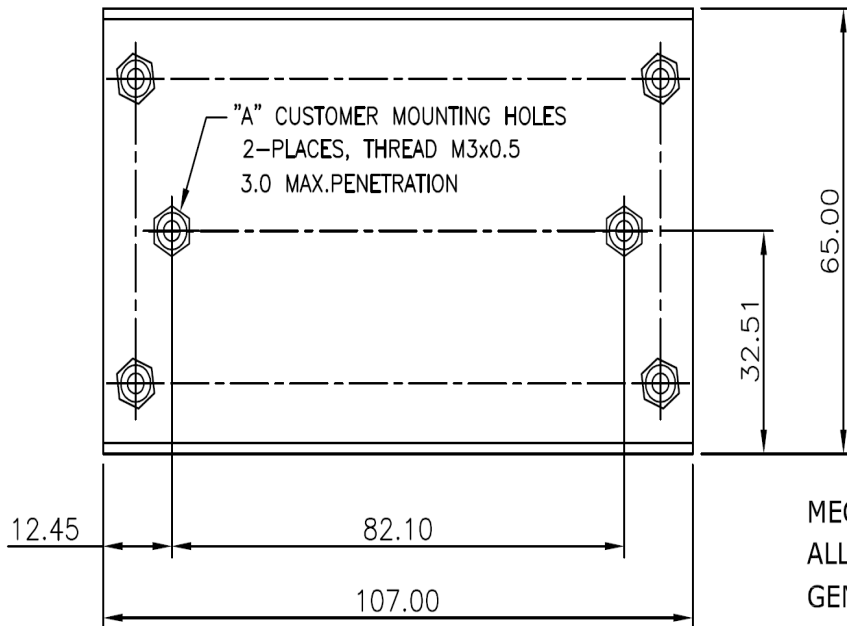
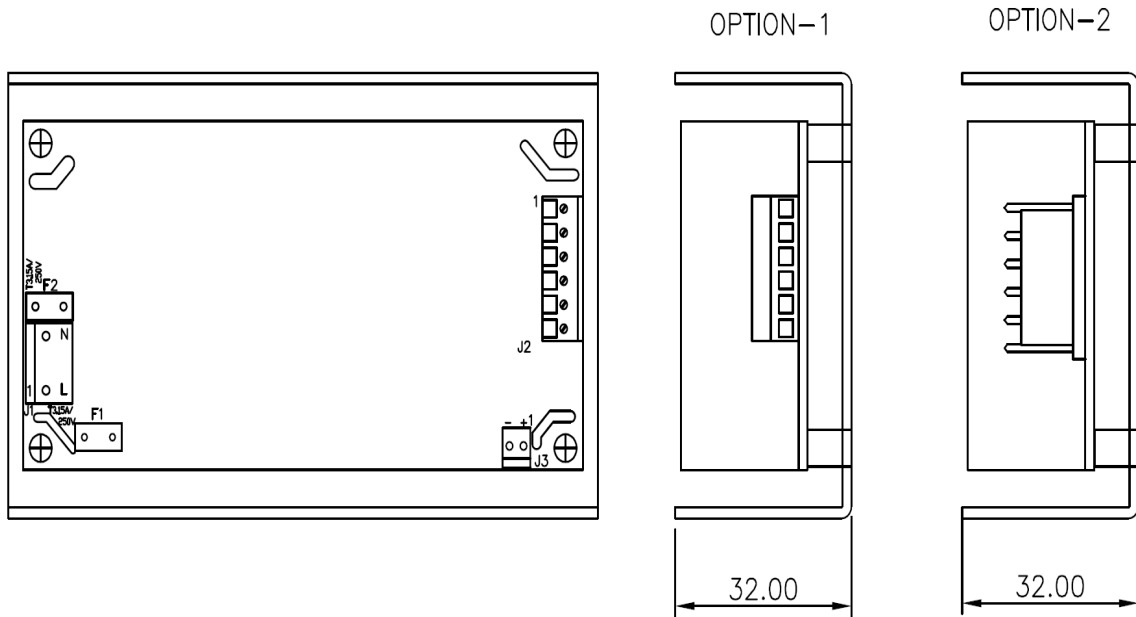
OPTION-2



MECHANICAL OUTLINE DIMENSIONS
ALL DIMENSIONS ARE IN MM
GEN.TOLERANCE: +/-0.5 MM

Mechanical Drawing

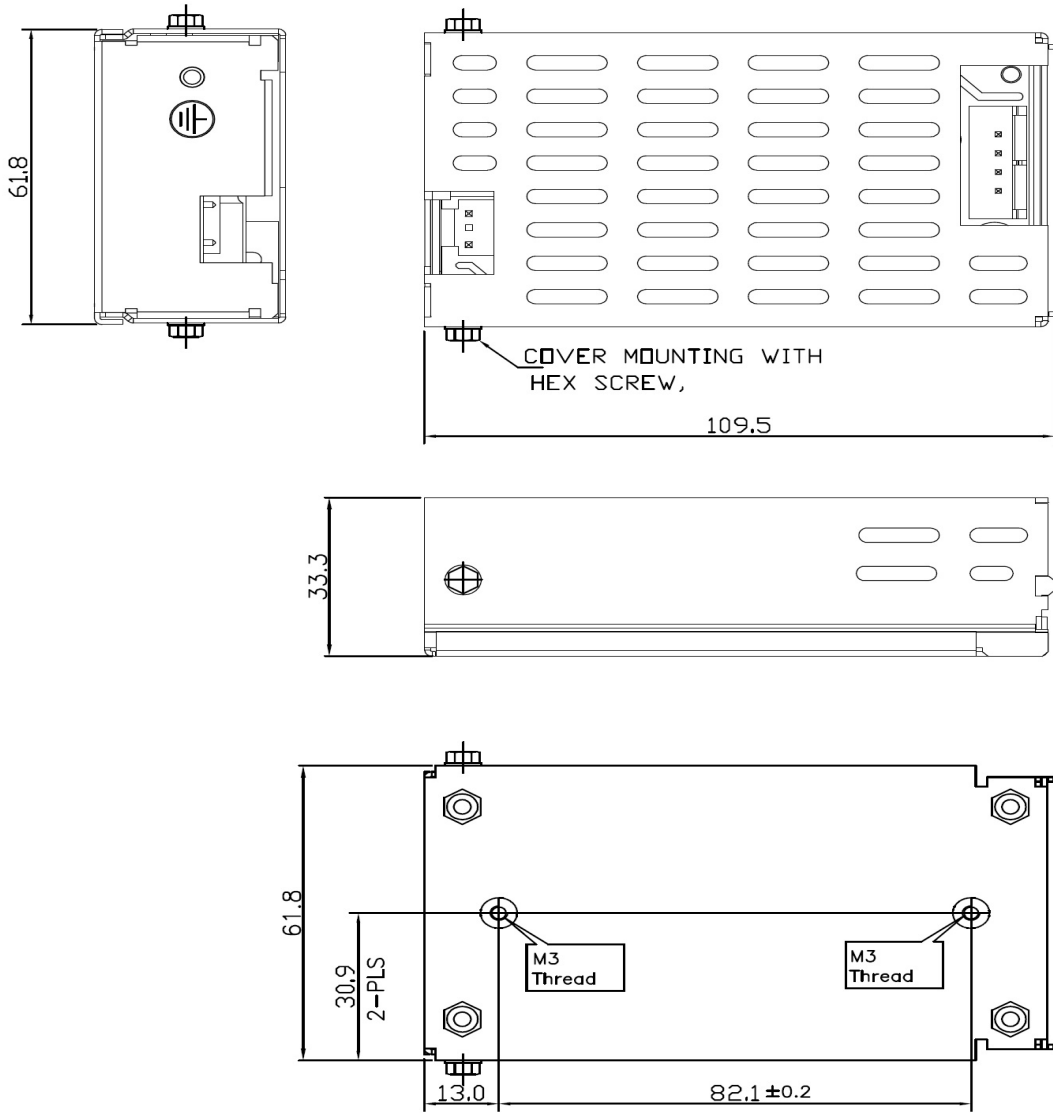
WLP225 SERIES WITH 'U' CHANNEL



MECHANICAL OUTLINE DIMENSIONS
ALL DIMENSIONS ARE IN MM
GEN.TOLERANCE: +/-0.5 MM

Mechanical Drawing

WLP225 SERIES WITH COVER KIT



MECHANICAL OUTLINE DIMENSIONS
ALL DIMENSIONS ARE IN MM
GEN TOLERANCE: +/-1.0 MM
MATERIAL: CRCA/GI 1.0MM THICK
(POWDER COATING/ PASSIVATION/
ED COATING BLACK)



Innovations in Power