

YOUR CONNECTION TO QUALITY AND SERVICE

EDAC - A WORLD-CLASS CONNECTOR COMPANY


Since its formation over 30-years ago, EDAC Inc. has grown to become one of the world's leading manufacturers of card-edge, rack-and-panel, D-Subminiature and specialty telecom connectors. Its strong and loyal customer base know EDAC's motto - **Your Connection to Quality and Service** - guarantees a comprehensive variety of custom connectors backed by superior customer service.

EDAC is not content to rest on its three-decade reputation for quality and service. It continually strives to improve its competitiveness, while performing to the best standards of the connector industry. The realization of the global economy and its industry-wide impact have changed the direction at EDAC. Its goals and objectives start with you: *the customer*. Its stated aim is to be the best connector company, offering superior world-class service.

EDAC is positioned to win on a global scale. Its three Customer Logistics Centres - in Toronto, London and Hong Kong - manage just-in-time inventories to respective markets. New design-to-volume programs include surface mount and pin-and-paste 'reflow' soldering connectors. There are 18 sales offices in the U.S., 12 in Europe, 11 in Canada and the rest of the world. Distribution requirements are served through over 100 stocking locations in the U.S., and in locations throughout Europe, including Germany, England, Italy, Switzerland, France and Spain.

While striving for new customers worldwide, EDAC remembers its established customers; to them, EDAC extends its sincerest thanks for the privilege of serving their past needs, and for being a part of their new and exciting plans for the future. EDAC's newer customers soon discover what its older customers rely upon: EDAC is their **Connection to Quality and Service**.

**CHECK OUT EDAC'S WEB SITE:
A World-Class Connector Company
On The Worldwide Web**



www.edac.net

621/622 SERIES

Plug and Receptacle, Right Angle, .318" (8.08mm) Footprint



FEATURES

- Two contact rows with .318" (8.08mm) footprint right-angle bend.
- .109" (2.77mm) contact spacing x .112" (2.82mm) row spacing.
- Plug and receptacle in 9-, 15-, 25- or 37-pin contact sizes.
- Pin and socket contact mating design with PC tail termination.
- Metal shell provides EMI/RFI shielding. Plug shell indents provide grounding and additional mating retention.
- Grounding features include top or bottom ground plates and four-prong boardlock for superior retention to PC board.
- Mounting options for panel mount or connector mating include through-hole, threaded inserts and threaded standoffs.
- D-shaped connector mating outline provides polarization.
- Design based on requirements of MIL-C-24308, EIA RS-232 and RS-449.

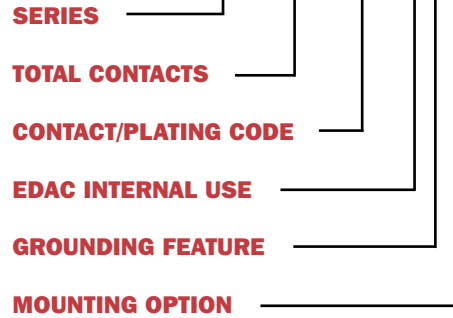
SPECIFICATIONS

- Insulator Material: Thermoplastic polyester, UL 94V-0; chemical resistant; colour - black.
- Ferrite Specifications: Attenuation - 20dB MIN @ 30MHz, 30dB MIN @ 50MHz, and 50dB MIN @ 100MHz.
- Contact Material: Plug contacts - brass; receptacle contacts - phosphor bronze.
- Contact Plating: Gold (see *Ordering Code*) over nickel for the mating area; tin/lead plating on contact tails.
- Shell Material: Nickel-plated steel.
- Current Rating: 5 amperes.
- Contact Resistance: 10 milliohms maximum.
- Dielectric Withstanding Voltage: 1000 V AC rms @ sea level.
- Insulation Resistance: 5000 megohms minimum.
- Operating Temperature: -55° to +105° C
- Engagement & Separation Force: 1 to 10 oz. (0.28 to 2.78 N) per contact position.

621/622 SERIES ORDERING CODE

Example:

621-025-560-013



SERIES

621Plug
622Receptacle

TOTAL CONTACTS

009, 015, 025, 03750 (machined pin only)

CONTACT/PLATING CODE

260Gold Flash (Class 3)
56010µ" (0.25µm) (Class 2)
66030µ" (0.76µm) (Class 1)
668Ferrite Filter

EDAC INTERNAL USE

0Indicates generic internal use code

GROUNDING FEATURE

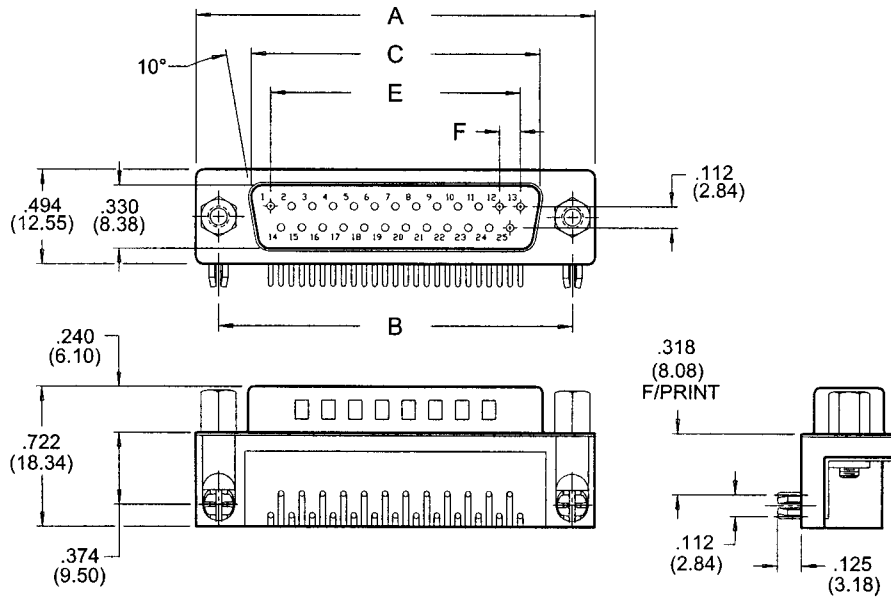
1120" (3.05mm) dia. through hole top ground
3 ..Two-prong boardlocks for .120" (3.05mm) dia. PCB hole
4 ..Four-prong boardlocks for .120" (3.05mm) dia. PCB hole

MOUNTING OPTION

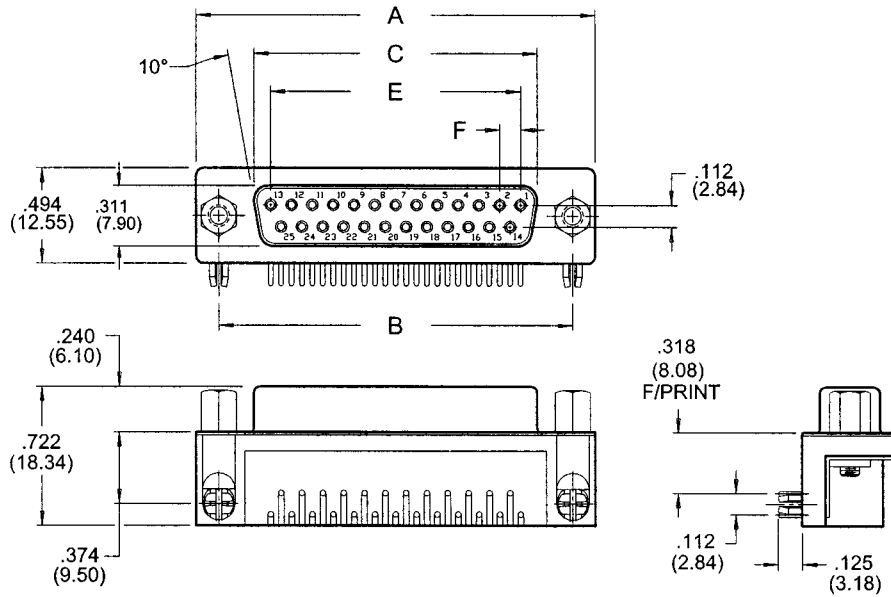
0#4-40 UNC fixed standoff
1125" (3.18mm) dia. through-hole
2#4-40 UNC threaded insert
3#4-40 UNC threaded standoff
5#4-40 UNC threaded standoff & lock washer

621/622 SERIES

PLUG 621 SERIES



RECEPTACLE 622 SERIES



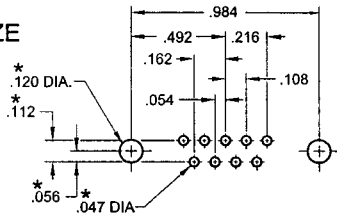
NUMBER OF CONTACTS	A		B		C PLUG		C RECEPTACLE		E		F	
	Inch	(mm)	Inch	(mm)	Inch	(mm)	Inch	(mm)	Inch	(mm)	Inch	(mm)
9	1.214	(30.84)	.984	(24.99)	.667	(16.92)	.640	(16.26)	.432	(10.97)	.108	(2.74)
15	1.545	(39.24)	1.312	(33.32)	.994	(25.25)	.967	(24.56)	.756	(19.20)	.108	(2.74)
25	2.088	(53.04)	1.852	(47.04)	1.534	(38.96)	1.508	(38.30)	1.304	(33.12)	.109	(2.76)
37	2.730	(69.34)	2.500	(63.50)	2.182	(53.08)	2.156	(54.76)	1.956	(49.68)	.109	(2.76)

Plug and Receptacle, Right Angle, .318" (8.08mm) Footprint

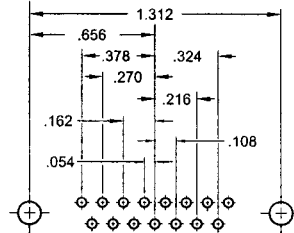
HOLE PATTERN RECOMMENDED

FOR SERIES 619, 620, 621, 622, 627, 628, 629 AND 630

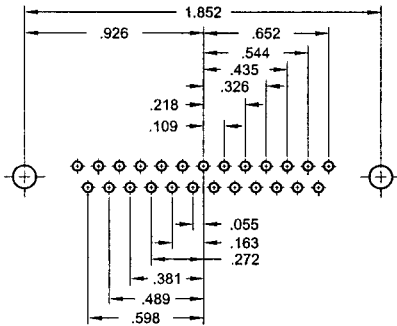
9 SIZE



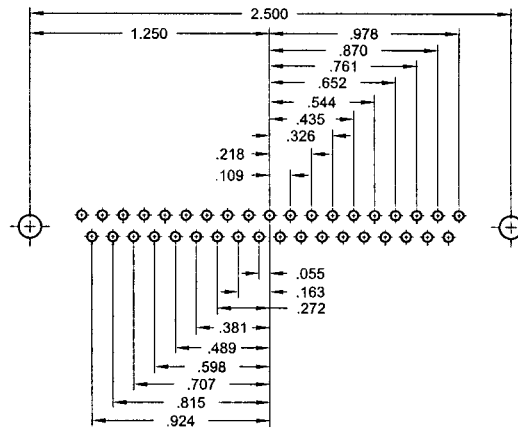
15 SIZE



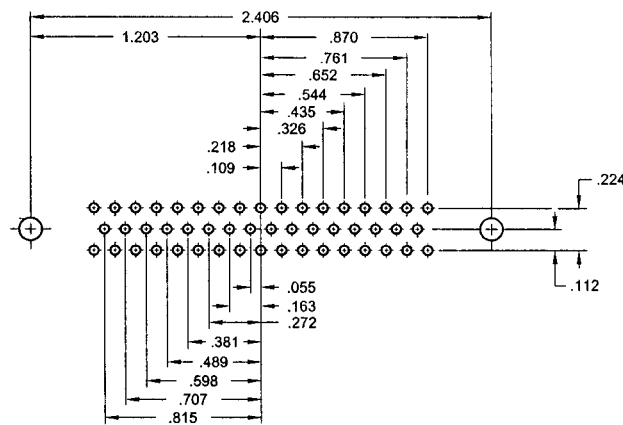
25 SIZE



37 SIZE



50 SIZE



* TYP. ON ALL PATTERNS

Series 619, 620, 621, 622, 627, 628, 629, 630