



E-Rated Power Fuses Having Full Range Clearing Capability for Medium Voltage Transformer Circuit Protection

Part Number	Amp Rating	Length (In)	Dia. (In)	# of Barrels	Clip Center (In)
MV055F1CAX5E	5E	15.75	2	1	12
MV055F1CAX7E	7E	15.75	2	1	12
MV055F1CAX10E	10E	15.75	2	1	12
MV055F1CAX15E	15E	15.75	2	1	12
MV055F1CAX20E	20E	15.75	2	1	12
MV055F1CAX25E	25E	15.75	2	1	12
MV055F1CAX30E	30E	15.75	2	1	12
MV055F1CAX40E	40E	15.75	2	1	12
MV055F1CAX50E	50E	15.75	2	1	12
MV055F1CAX65E	65E	15.75	2	1	12
MV055F1DAX10E	10E	15.75	3	1	12
MV055F1DAX15E	15E	15.75	3	1	12
MV055F1DAX20E	20E	15.75	3	1	12
MV055F1DAX25E	25E	15.75	3	1	12
MV055F1DAX30E	30E	15.75	3	1	12
MV055F1DAX40E	40E	15.75	3	1	12
MV055F1DAX50E	50E	15.75	3	1	12
MV055F1DAX65E	65E	15.75	3	1	12
MV055F1DAX80E	80E	15.75	3	1	12
MV055F1DAX100E	100E	15.75	3	1	12
MV055F1DAX125E	125E	15.75	3	1	12
MV055F1DAX150E	150E	15.75	3	1	12
MV055F1DAX175E	175E	15.75	3	1	12
MV055F1DAX200E	200E	15.75	3	1	12
MV055F2DAX250E	250E	15.75	3	2	12
MV055F2DAX300E	300E	15.75	3	2	12
MV055F2DAX350E	350E	15.75	3	2	12
MV055F2DAX400E	400E	15.75	3	2	12

MV055 Specifications

E-Rated Medium Voltage Fuses

Meets E-Rating requirements of ANSI C37.46

Meets Full Range requirements of ANSI C37.40.

Voltage Rating: 5,500Vac

Interrupting Rating: 50kA Maximum Symmetrical Amps

Current Limiting

Benefits:

- Standard clip center lengths and barrel diameters.
- 100% tested for reliability.
- Suitable for indoor or outdoor usage.
- Full Range capability.

Applications:

- For transformer and feeder protection.

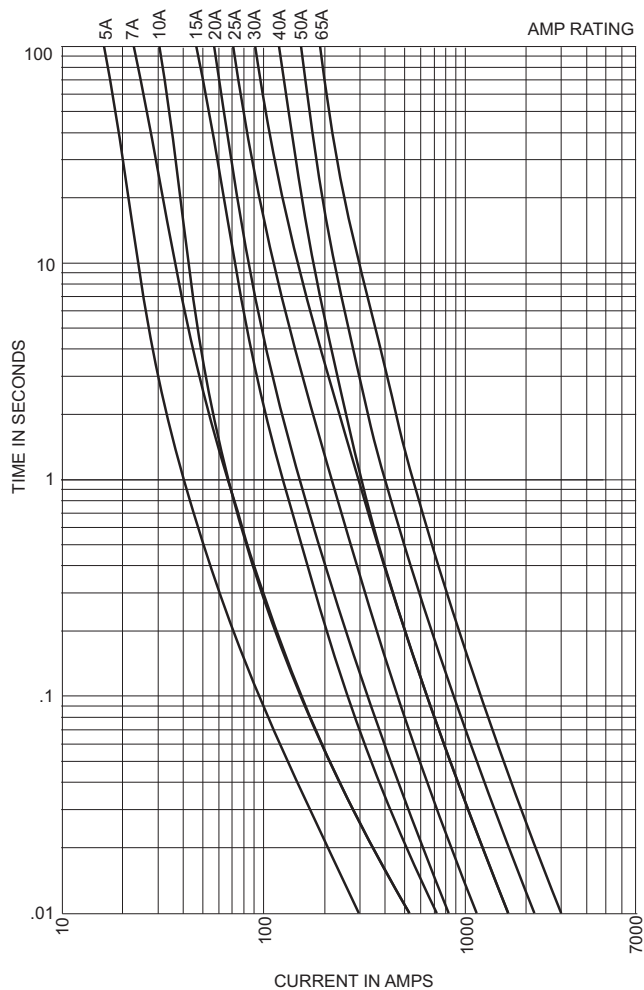
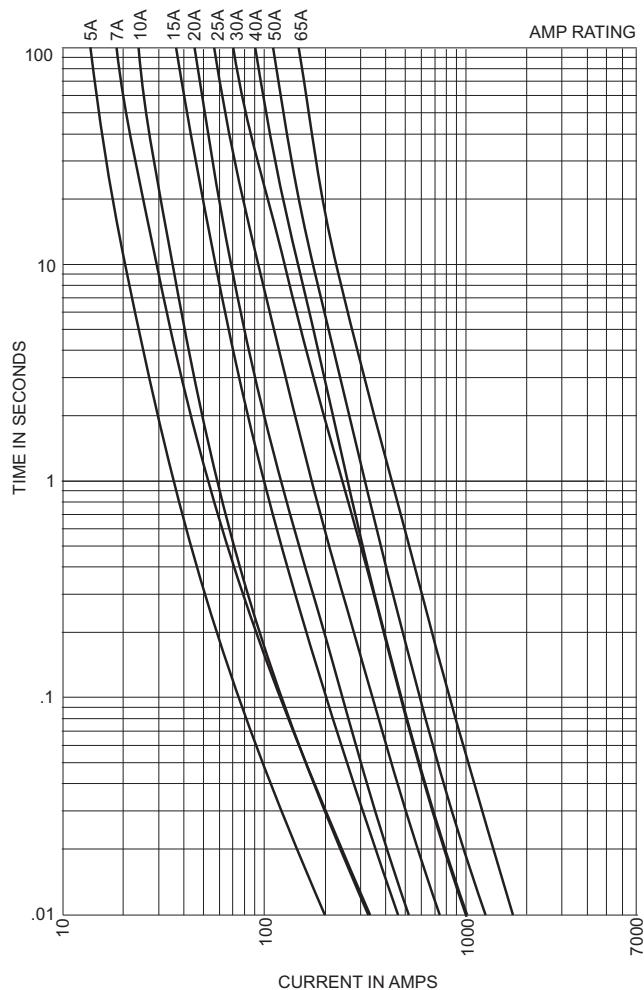
Recommended Fuseclips:

Refer to page 108 in this catalog.

E-Rated Medium Voltage Fuses for Transformer and Feeder Protection

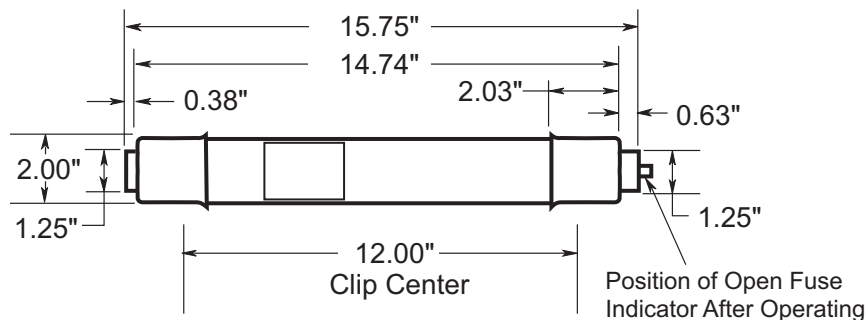
Time-Current Characteristics—Min. Melt

Time-Current Characteristics—Total Clear



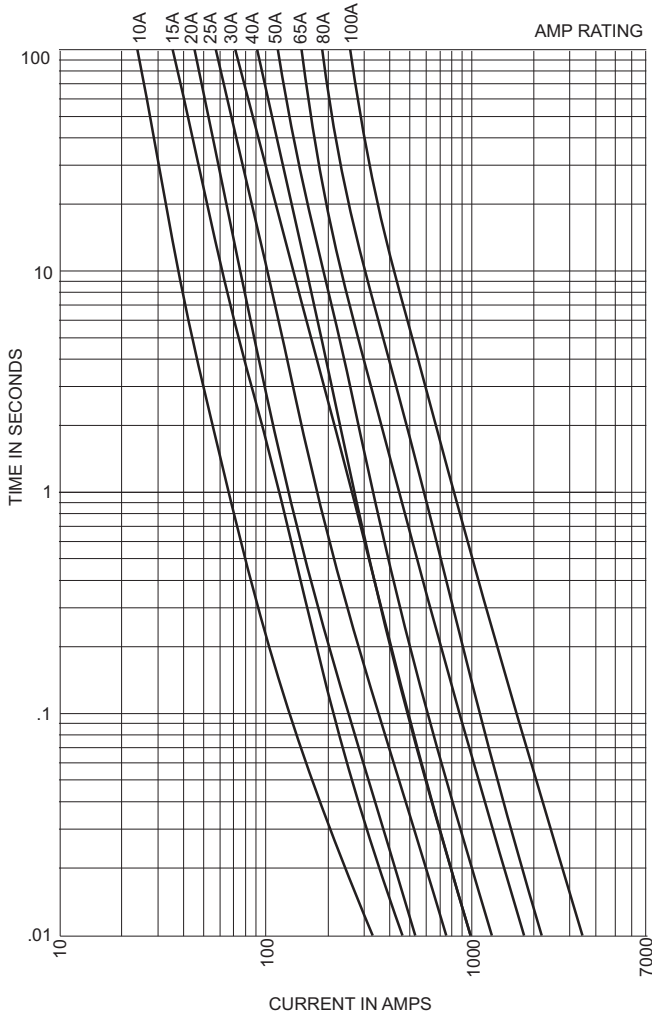
Dimensions - in

MV055F1CAX

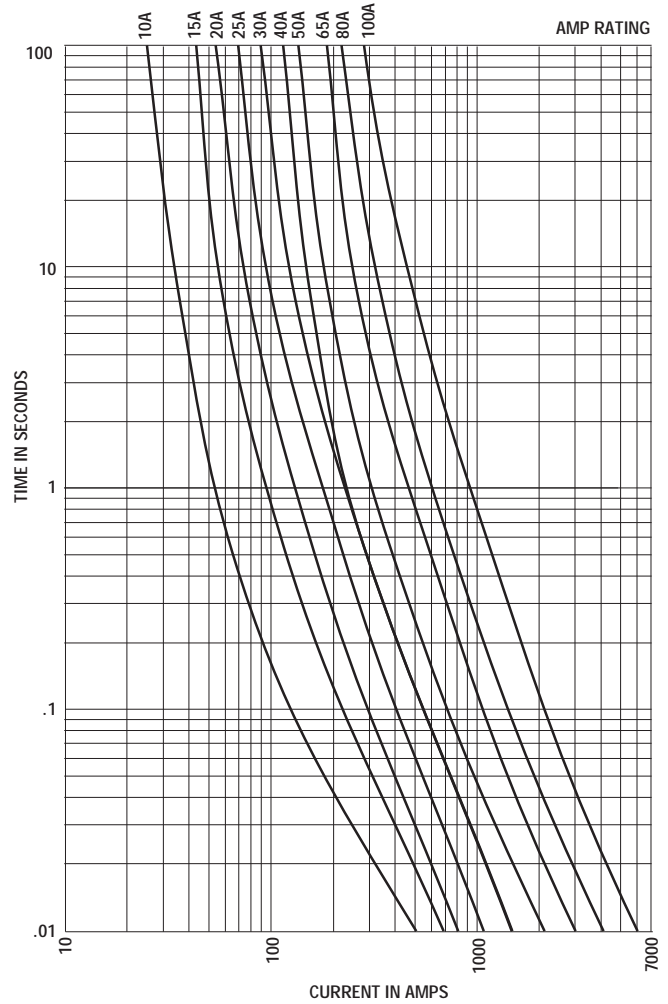


E-Rated Medium Voltage Fuses for Transformer and Feeder Protection

Time-Current Characteristics—Min. Melt

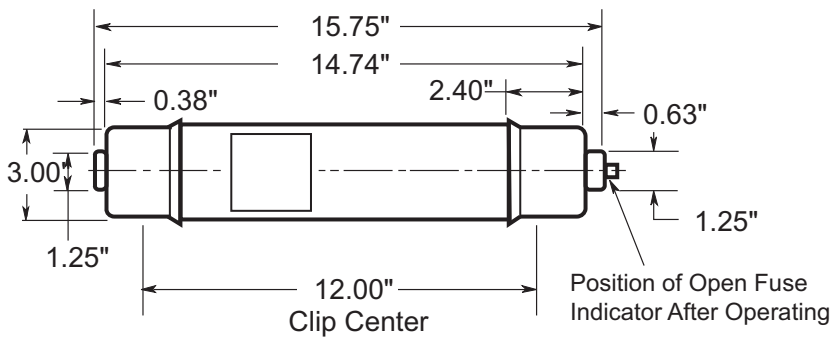


Time-Current Characteristics—Total Clear



Dimensions - in

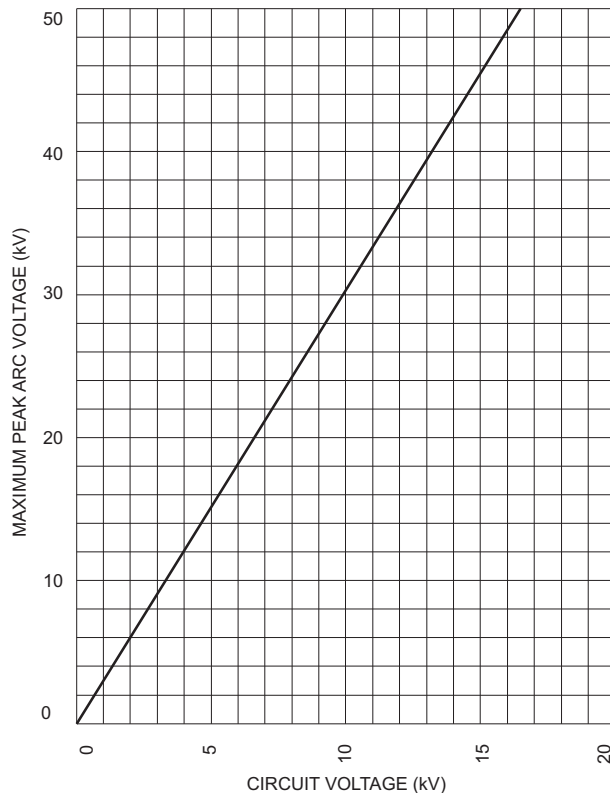
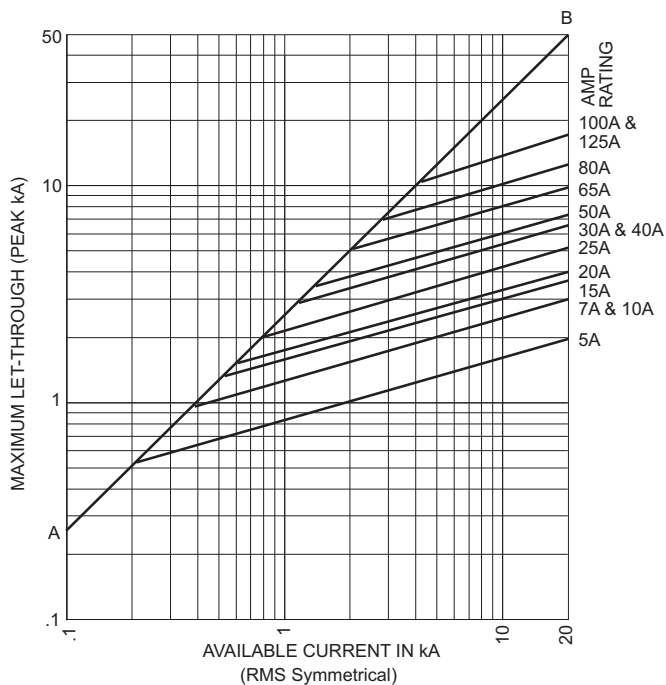
MV055F1DAX



E-Rated Medium Voltage Fuses for Transformer and Feeder Protection

Maximum Peak Let-Through Current Curves

Max. Peak Arc Voltage for E-Rated Full Range Power Fuse



Recommended Fuse Clips for Medium Voltage Fuses

Part No.	Fuse Diameter	Clip Dimensions - in						
		A	B	C	D	E	F	G
A3354710	2 inches	3.39	1.97	2.00	1.18	4.41	1.50	0.39
A3354730	3 inches	3.94	2.44	3.00	1.18	5.51	1.50	0.39

Fuseclips are for single barrel applications only.

