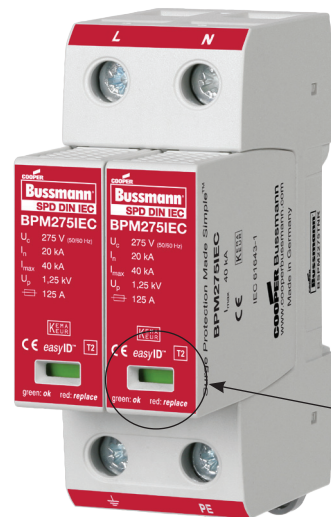


Two-pole IEC Class II surge arresters for TN and TT systems



Remote contact signaling available

easyID™ local visual status indication

Catalog symbols:

- BSPM2275TN
- BSPM2275TNR
- BSPH2275TT
- BSPH2275TTR

Description:

Eaton's Bussmann™ series two-pole IEC Class II modular surge arresters for TN and TT systems feature local *easyID*™ visual status indication and optional remote contact signaling. The unique module locking system fixes the protection module to the base. Modules can be easily replaced without tools by simply depressing the release buttons. Integrated mechanical coding between the base and protection module ensures against installing an incorrect replacement module.

TN System Arresters

The features of these single-pole devices are for use in single-phase 230 volt TN systems ("2-0" circuit).

TT System Arrester

The features of these single-pole devices are for use in single-phase 230 volt TT and TNS systems ("1-1" circuit).

Optional remote contact signaling

The three-pole terminal remote contact signaling option has a floating changeover contact for use as a break or make contact, according to circuit concept.

Specifications:

System volts

- 230

System types:

- TN
- TT

Agency information

- CE
- KEMA
- RoHS compliant

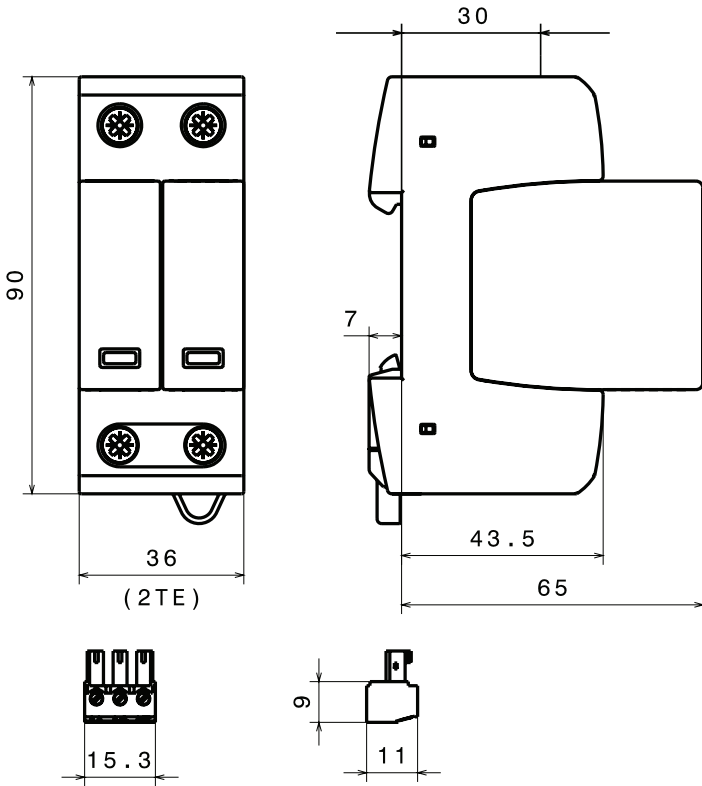
Mounting

- 35mm DIN-Rail

Warranty

- Five years

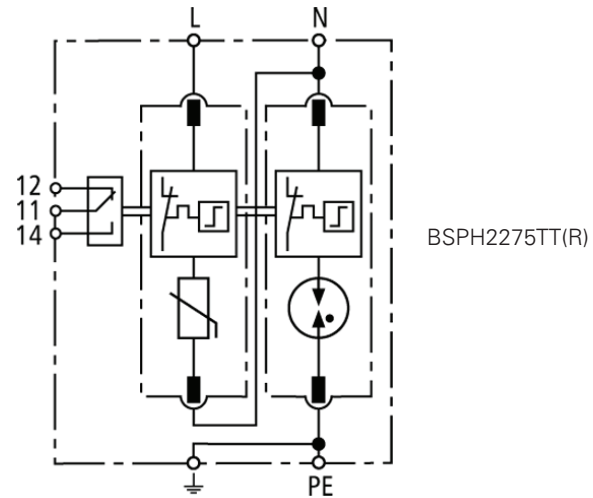
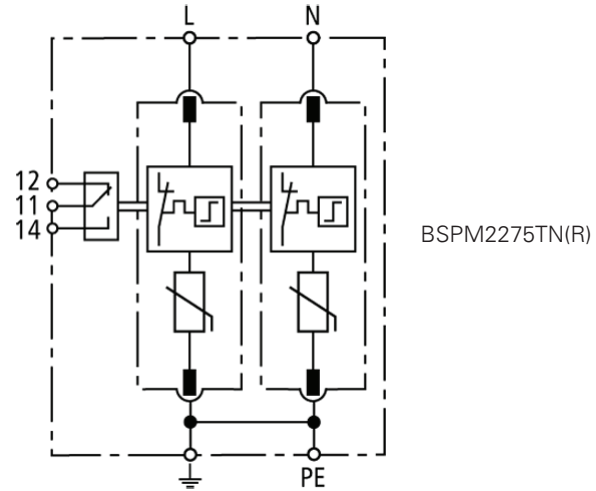
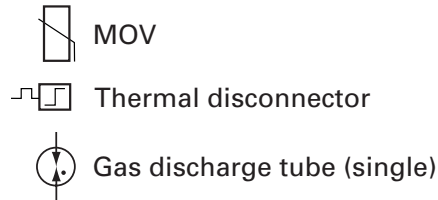
Dimensions - mm:



Shown with optional remote contact signaling.

Circuit diagrams:

Shown with optional remote contact signaling.



Recommended Bussmann series back up fuses

DIN fuse size	NH fuse catalog number
00	125NHG00B
0	125NHG0B
01	125NHG01B
02	125NHG02B

Ordering information:

System Voltage (50-60Hz) / Poles		230V/2	230V/2
		275V	—
Max. Continuous Operating Voltage (MCOV) [U _c] AC (50-60Hz)	[L-N]	—	275V
	[N-PE]	—	255V
Catalog numbers (base + modules)	W/O remote signaling	BSPM2275TN	BSPH2275TT
	W/ remote signaling	BSPM2275TNR	BSPH2275TTR
Replacement modules	MOV Technology	BPM275IEC	BPM275IEC
	Spark gap technology	—	BPSNPEIEC*

Specifications				
Lightning impulse current (10/350μs) [N-PE] [I _{imp}]		—	12kA	
		≤ 1.5kV	—	
Voltage protection level [U _p]	at 5kA	≤ 1kV	—	
	[L-N]	—	≤ 1.5kV	
	[L-N] at 5kA	—	≤ 1kV	
	[N-PE]	—	≤ 1.5kV	
Follow current extinguishing capability [N-PE] [I _r]		—	100A _{rms}	
		≤ 25 ns	—	
Response time [t _A]	[L-N]	—	≤ 25 ns	
	[N-PE]	—	≤ 100 ns	
		Withstand	335V / 5 sec.	—
Temporary overvoltage (TOV) [U _T]		Safe failure	440V / 120 min	—
	[L-N]	Withstand	—	335V / 5 sec.
		Safe failure	—	440V / 120 min.
	[N-PE]	Withstand	—	1200V / 200 ms
	SPD according to		EN 61643-11 Type 2, IEC 61643-11 Class II	
Nominal discharge current (8/20μs) [I _n]		20kA		
Max. discharge current (8/20μs) [I _{max}]		40kA		
Max. mains-side overcurrent protection		125A gG		
Short-circuit withstand capability for max. mains-side overcurrent protection (I _{scCR})		50kA _{rms}		
Nominal AC voltage [U _N]		230V		
Operating environment [T _U]		-40°C to +80°C, 5% to 95% RH		
Operating state/fault indication		Green (good) / Red (replace)		
Number of ports		1		
Cross-sectional area	Min.	1.5mm ² /14AWG solid/flexible		
	Max.	35mm ² /2AWG stranded — 25mm ² /4AWG flexible		
Mounting		35mm DIN-Rail per EN 60715		
Enclosure material		Thermoplastic, UL 94V0		
Location category		Indoor		
Degree of protection		IP20		
Capacity		2 mods., DIN 43880		
Agency information		KEMA		
Product warranty		Five years**		

Remote contact signaling			
Contact signaling type		Changeover contact	
Switching capacity (volts/amps)	AC	250V/0.5A	
	DC	250V/0.1A; 125V/0.2A; 75V/0.5A	
Conductor ratings and cross-sectional area		60/75°C Max. 1.5mm ² /14AWG solid/flexible	
Ordering information		Order from catalog numbers above	

* N-PE surge arrester for location between neutral conductor and protective conductor in TT systems.

** See Eaton Bussmann series SPD limited warranty statement (3A1502) for details at www.cooperbussmann.com/surge.

The only controlled copy of this data sheet is the electronic read-only version located on the Eaton network drive. All other copies of this document are by definition uncontrolled. This bulletin is intended to clearly present comprehensive product data and provide technical information that will help the end user with design applications. Eaton reserves the right, without notice, to change design or construction of any products and to discontinue or limit distribution of any products. Eaton also reserves the right to change or update, without notice, any technical information contained in this bulletin. Once a product has been selected, it should be tested by the user in all possible applications.

Eaton
1000 Eaton Boulevard
Cleveland, OH 44122
Eaton.com

Bussmann Division
114 Old State Road
Ellisville, MO 63021
United States
Eaton.com/bussmannseries

© 2015 Eaton
All Rights Reserved
Printed in USA
Publication No. 1167 — BU-SB15XXX
December 2015

Eaton, Bussmann and *easyID* are valuable trademarks of Eaton in the U.S. and other countries. You are not permitted to use the Eaton trademarks without prior written consent of Eaton.
KEMA

For Eaton's Bussmann series
product information,
call **1-855-287-7626** or visit:
Eaton.com/bussmannseries



Follow us on social media to get the latest product and support information.

