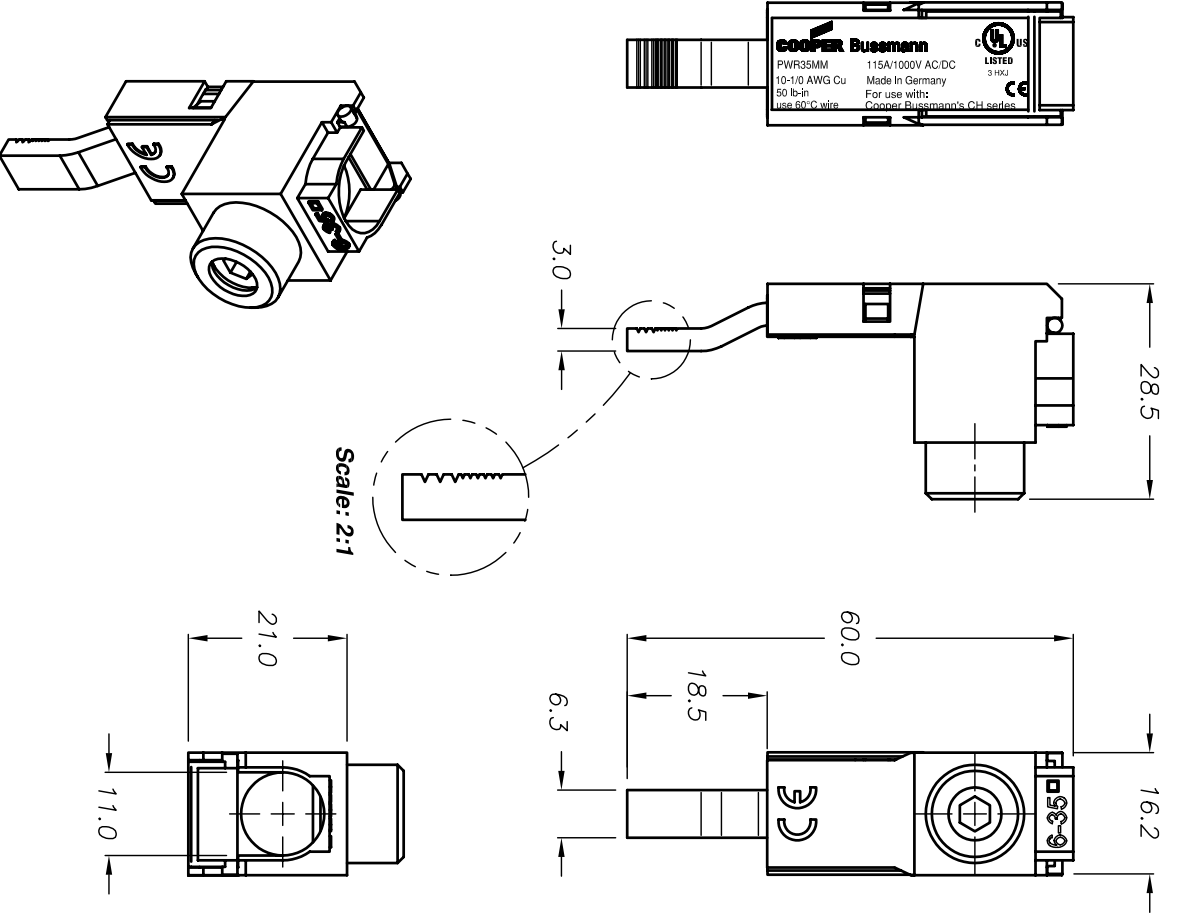


PART NO. PWR35MM		PLANT DISTRIBUTION CODE:	
REV #	REVISIONS	DATE	APPR.
--	INITIAL RELEASE	3-30	
	ECN BU-SB11316	2011	
A	REVISED TITLE	5-3	
	ECN BU-SB11501	2011	



CUSTOMER PRINT

TOLERANCES UNLESS OTHERWISE SPECIFIED		THIRD ANGLE PROJECTION		DESIGN UNITS	
METRIC	ENGLISH	FRACTIONAL TOL	ANGULAR TOL	METRIC (mm)	CREATED USING
1 PL DEC.=±0.25	2 PL DEC.=±.01	±1/64 IN	±1°		AUTOCAD
2 PL DEC.=±0.13	3 PL DEC.=±.005	ANGULAR TOL 1PL=±0.5°			

COPYRIGHT — Cooper Industries, Inc.
 This is an unpublished work. The disclosure of this work is limited to a select personnel. Further dissemination or disclosure to the public is PROHIBITED. This unpublished work is protected by Federal Copyright Law and all rights thereunder are reserved by Cooper Industries, Inc.

CONFIDENTIAL —
 The information contained in this document is the property of Cooper Industries, Inc. It is not for public disclosure. Possession of the information does not convey any right to loan, sell or disclose the information. Unauthorized reproduction or use of the information is PROHIBITED. This document is to be returned to Cooper Industries, Inc. upon completion of the purpose for which it is loaned or upon request.

FINISH	USED ON	DRAWN BY	JG
		DATE	3-30-11
		C/F NO.	83525
		SCALE	1:1

COOPER Bussmann
 St. Louis, MO 63178

THREE PHASE FEEDER TERMINAL

PART NO. **PWR35MM**

SHT 1 OF 1

SIZE: **A**