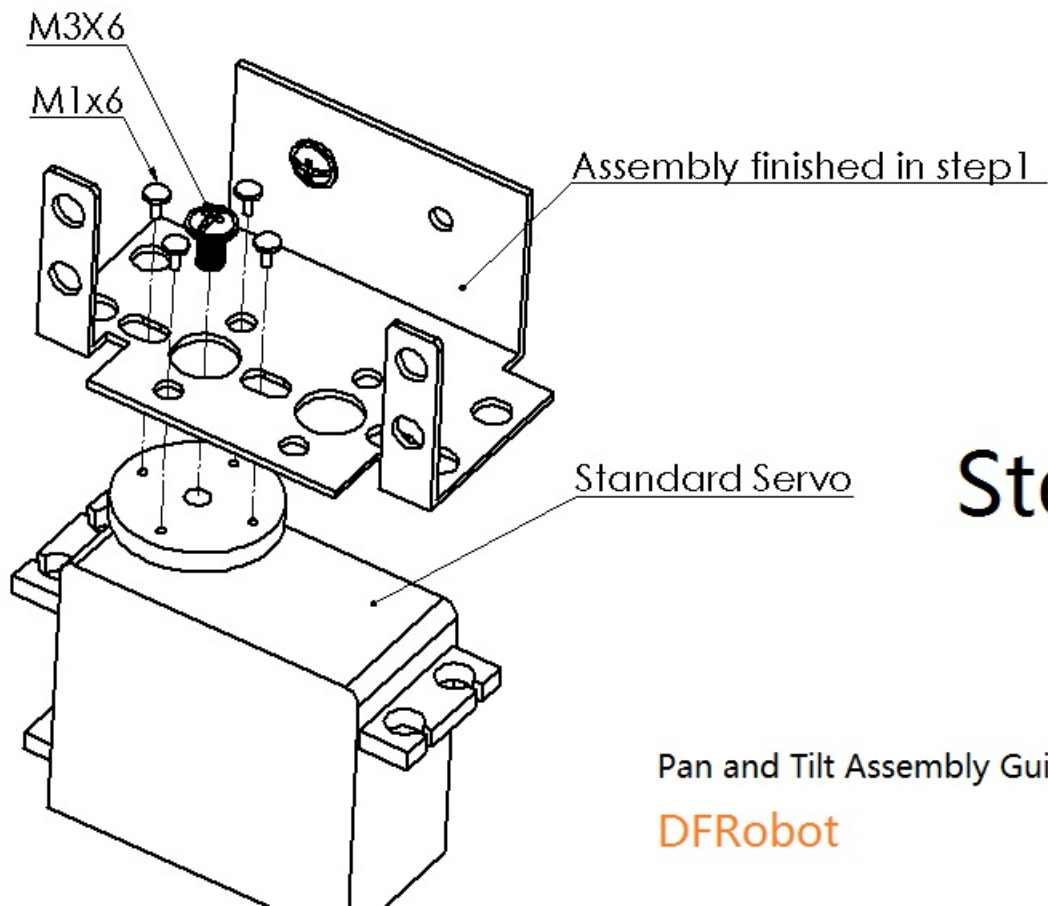


Pan and Tilt Assembly Guide V0.1

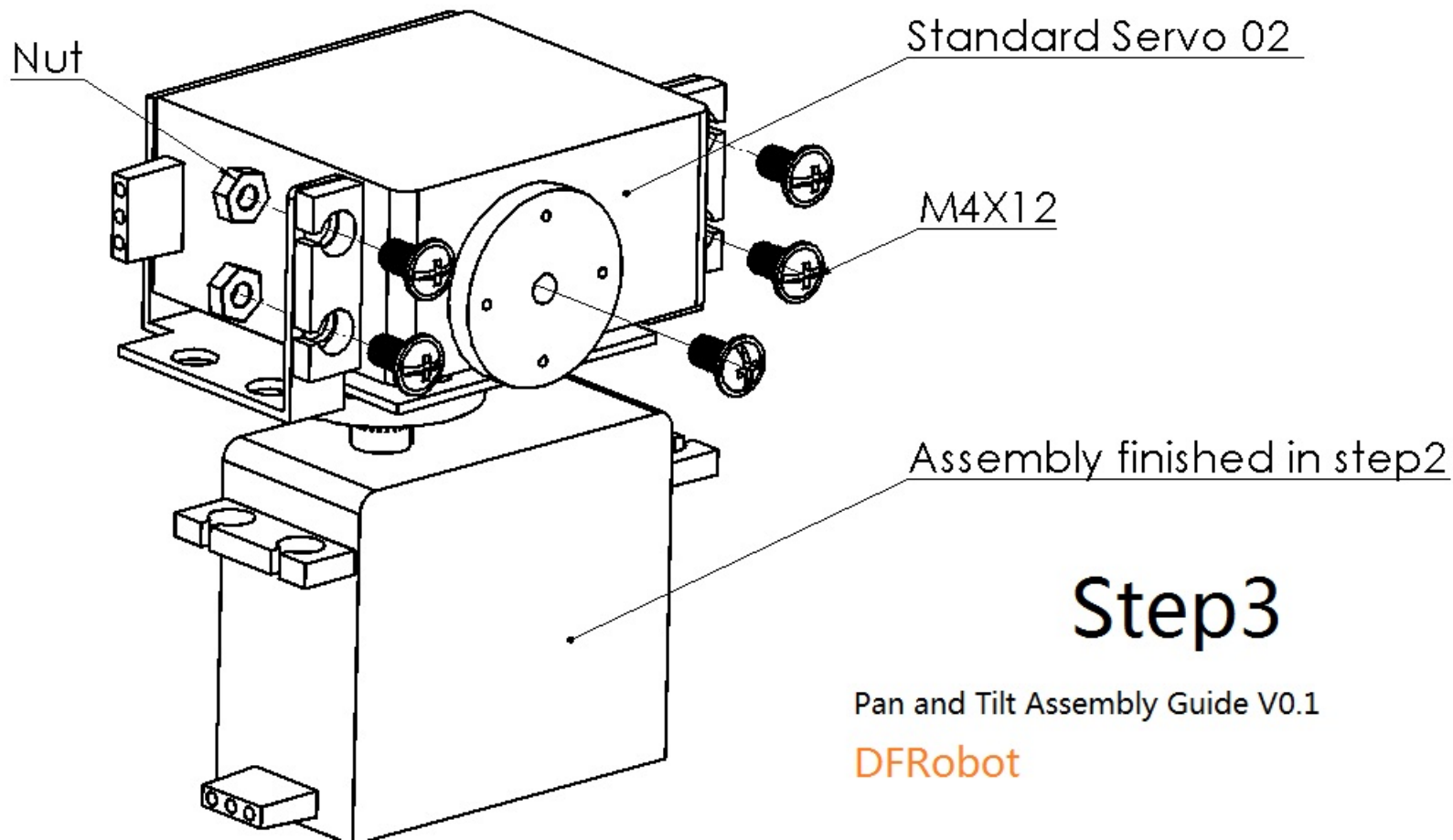
DFRobot



Step2

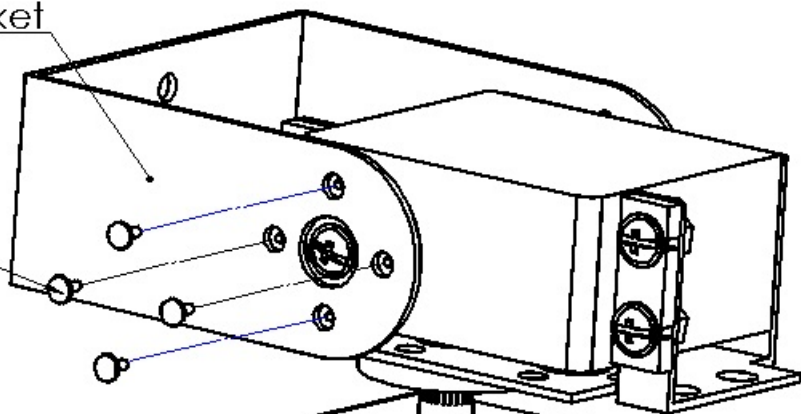
Pan and Tilt Assembly Guide V0.1

DFRobot



Aluminum U-shape bracket

MIX6



Assembly finished in step3

Step4

Pan and Tilt Assembly Guide V0.1

DFRobot