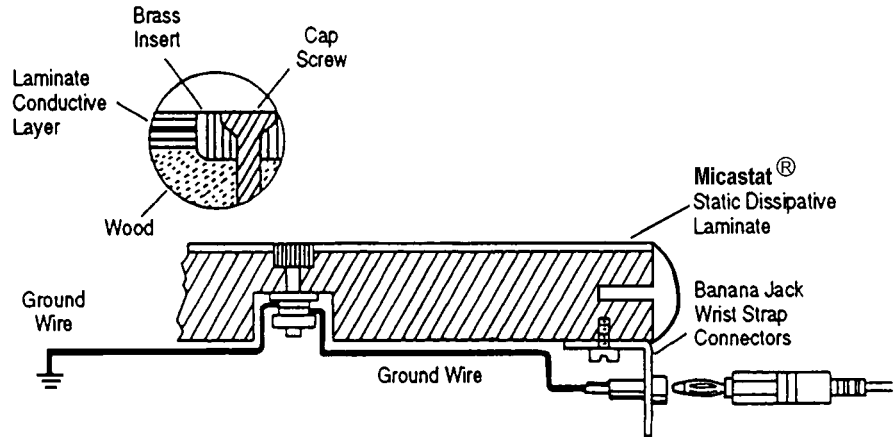
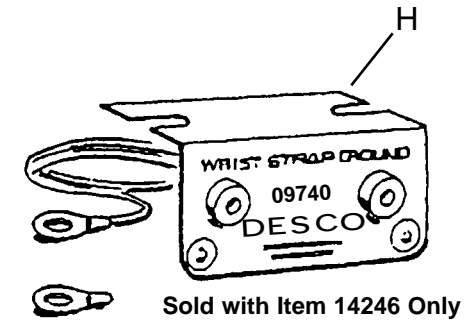
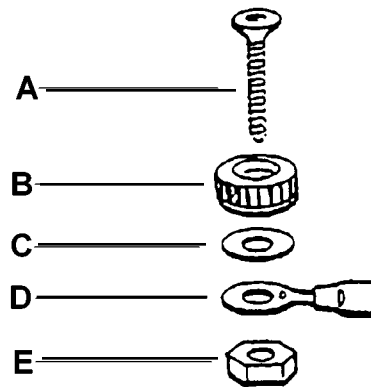


**Description:**

The 14244 flush mount ground insert provides a flush to the surface ground for static dissipative laminate like Micastat®. 14244 uses a straight knurl for an excellent electrical contact with the laminate. The straight knurled edge creates a mechanical compression connection. Item 14244 includes all components to ground the laminate. Item 14246 includes all components to ground the laminate and attach 2 banana jacks to the front surface. Use installation tool, Item 14242 for installing both 14244 and 14246. For installation details ask for Technical Bulletin PP-5035.

**Key:**

- A. Flat socket cap screw 8-32-1, secures the brass insert into place.
- B. Brass insert, 1/2" dia. straight knurl provides electrical connection to the laminate.
- C. Washer, flat, 1/4" ID, 1/2" OD, provides a flat surface for securing ring terminals.
- D. Terminal, ring, mechanically connects wire up to 16 gauge, to the flush mount insert.
- E. Nut, 8-32, used to fasten flush mount insert system together.
- F. INCLUDED WITH ITEM 14246 ONLY: Item 09740, dual banana jack terminals, 10' OF 22 AWG GAUGE WIRE, provides two banana plug connections in front of work surface grounded to the flush mounting insert system.



**Tool: 14242**

- A. 1/4" Drill Bit
- B. 1/2" x 1/4" Adjustable Counterbore
- C. Drill Stop

ITEM	DESCRIPTION
14244	Ground, Micastat, Flush mount insert
14246	Ground, Micastat, Flush mount insert with Item #09740 bench ground
14242	Tool, Micastat, Flush mount

**GROUND, MICASTAT, FLUSH MOUNT INSERT**

DESCO WEST: 3651 WALNUT AVE., CHINO, CA 91710. WEB SITE: www.desco.com  
 PHONE (909) 627-8178 FAX (909) 627-7449 FAX REQUEST (909) 627-7126  
 DESCO EAST: 90 HUDSON RD, CANTON, MA 02021-1407  
 PHONE (781) 821-8370 FAX (781) 575-0172

**DRAWING NUMBER**  
14242

**DATE:**  
11/99

