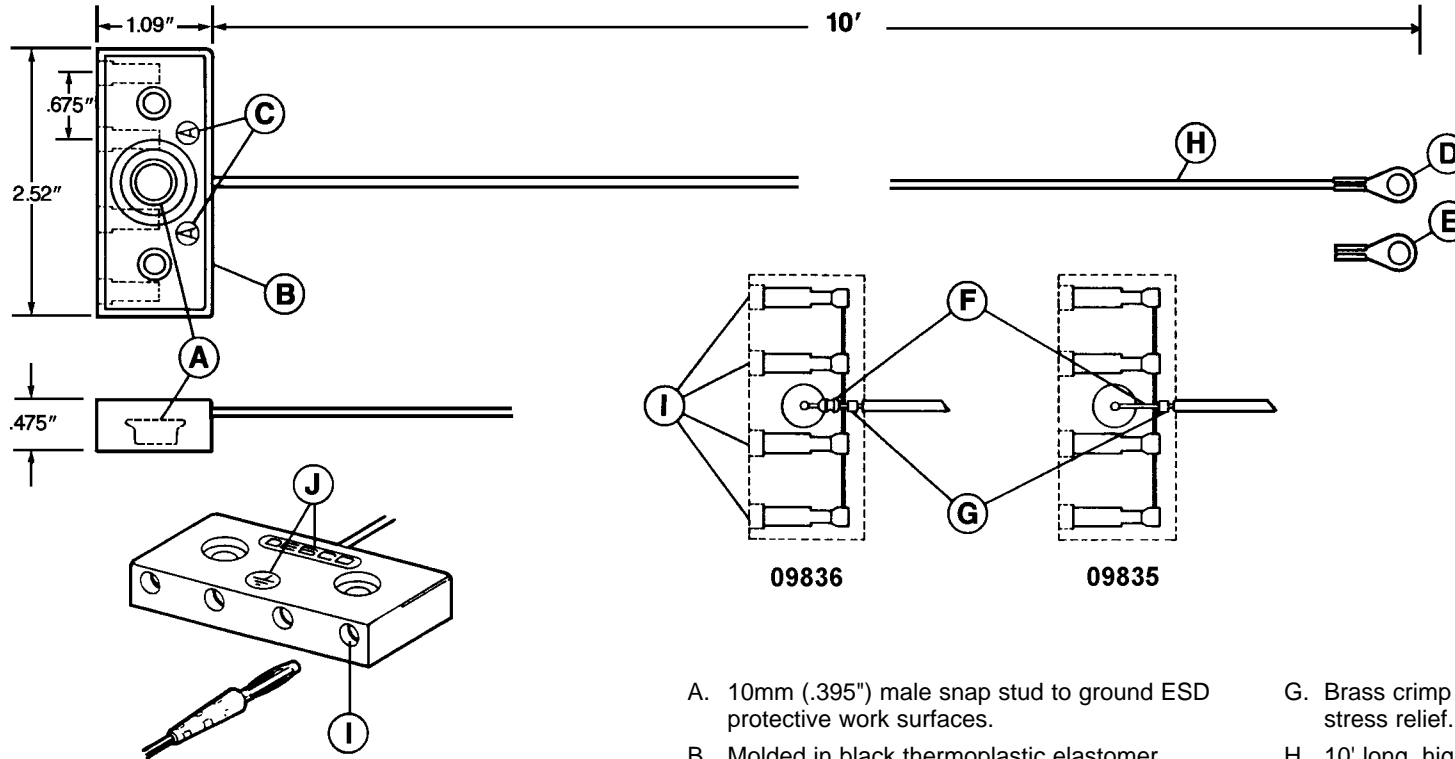
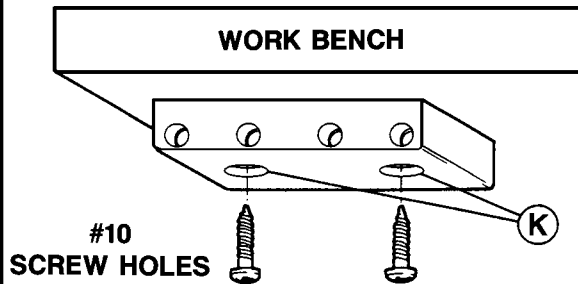




Made in America



- A. 10mm (.395") male snap stud to ground ESD protective work surfaces.
- B. Molded in black thermoplastic elastomer.
- C. Date coded to show month and year of manufacture.
- D. Ring terminal, .200" I.D. (#10).
- E. Extra ring terminal included for customizing length.
- F. Item 09836 has a one megohm resistor between the snap and ground, with the four banana jacks at ground potential. Item 09835 has no resistor between the snap and ground, with the banana jacks also at ground potential.
- G. Brass crimp secures conductors and provides stress relief.
- H. 10' long, high flex strand copper, 20 gauge, with PVC insulated jacket.  
09835 - green insulation with yellow stripe  
09836 - black insulation  
OD = .100"
- I. Four banana jacks at ground potential (.162" - .164" ± .002" ID).
- J. Desco logo and ground symbol molded onto top of snap assembly.
- K. Molded #10 mounting holes allow for permanent installation at the work bench.



ITEM	DESCRIPTION
09835	No Resistor - Green Wire with Yellow Stripe
09836	One Megohm Resistor to Mat - Black Wire

### QUAD GROUND CORD, COMMON POINT, GROUND BLOCK

# DESCO

DESCO WEST: 3651 WALNUT AVE., CHINO, CA 91710 WEB SITE: [www.desco.com](http://www.desco.com)  
 PHONE (909) 627-8178 FAX (909) 627-7449 FAX REQUEST (909) 627-7126  
 DESCO EAST: 90 HUDSON RD, CANTON, MA 02021-1407  
 PHONE (781) 821-8370 FAX (781) 575-0172

DRAWING NUMBER  
09835

DATE:  
9/01