

80mm sq.

San Ace 80

15mm thick (9GA type), 15mm thick (9P type), 20mm thick (9GA type)
 20mm thick (9P type), 25mm thick (9GA type), 25mm thick (9S type)
 25mm thick (9GV type), **25mm thick (9R type)**
 25mm thick (San Cooler) (9A type), 32mm thick (9GA type)
 32mm thick (9P type), 38mm thick (9HV type), 38mm thick (9GA type)
 38mm thick (9GV type), 38mm thick (9G type)



Model no. 109R0812E401 is not certified.

General Specifications

- Material Frame: Plastics (Flammability: UL94V-0),
Impeller: Plastics (Flammability: UL94V-1)
- Expected Life Refer to specifications (L10:Survival rate:90% at 60°C ,
rated voltage, and continuously run in a free air state)
- Lead Wire ⊕red ⊖black or blue (Sensor) yellow
- Storage Temperature -30°C to +70°C (Non-condensing)

80×80×25mm (Mass : 110g) **9R type**

Specifications

The following nos. **have pulse sensors and ribs.** For ribless, append "1" to the model no.

Model No.	Rated Voltage [V]	Operating Voltage Range [V]	Rated Current [A]	Rated Input [W]	Rated Speed [min ⁻¹]	Max. Airflow [m ³ /min] [CFM]	Max. Static Pressure [Pa] [inchH ₂ O]	SPL [dB(A)]	Operating Temperature [°C]	Expected Life [h]
109R0805F401	5	4.5 to 5.5	0.25	1.25	2,600	0.92 32.5	28.4 0.114	26	-20 to +70	60,000
109R0805M401			0.17	0.85	2,350	0.83 29.3	22.5 0.090	23		
109R0812G401	12	10.8 to 13.2	0.37	4.44	4,500	1.50 53.0	80.4 0.323	40	-20 to +60	40,000
109R0812E401			0.24	2.88	3,700	1.31 46.3	57.8 0.232	35		
109R0812S401		6 to 13.8	0.18	2.16	3,400	1.20 42.4	48.0 0.193	34	-20 to +70	60,000
109R0812H401			0.13	1.56	2,900	1.03 36.4	35.3 0.142	29		
109R0812F401			0.11	1.32	2,600	0.92 32.5	28.4 0.114	26		
109R0812M401			0.09	1.08	2,350	0.83 29.3	22.5 0.090	23		
109R0812L401		7 to 13.8	0.06	0.72	1,850	0.65 23.0	14.7 0.059	20		
109R0824G401		24	20.4 to 26.4	0.20	4.80	4,500	1.50 53.0	80.4 0.323	40	-20 to +60
109R0824S401	0.10			2.40	3,400	1.20 42.4	48.0 0.193	34		
109R0824H401	12 to 27.6		0.07	1.68	2,900	1.03 36.4	35.3 0.142	29	-20 to +70	60,000
109R0824F401			0.06	1.44	2,600	0.92 32.5	28.4 0.114	26		
109R0824M401			0.05	1.20	2,350	0.83 29.3	22.5 0.090	23		
109R0824L401			14 to 27.6	0.04	0.96	1,850	0.65 23.0	14.7 0.059		
109R0848K401	48	40.8 to 55.2	0.10	4.80	4,600	1.56 55.1	88.4 0.355	41	-20 to +60	40,000
109R0848S401			0.06	2.88	3,400	1.20 42.4	48.0 0.193	34	-20 to +70	60,000

Some models can also be equipped without sensors as an option. Please refer to the index (pp. 417 to 437).

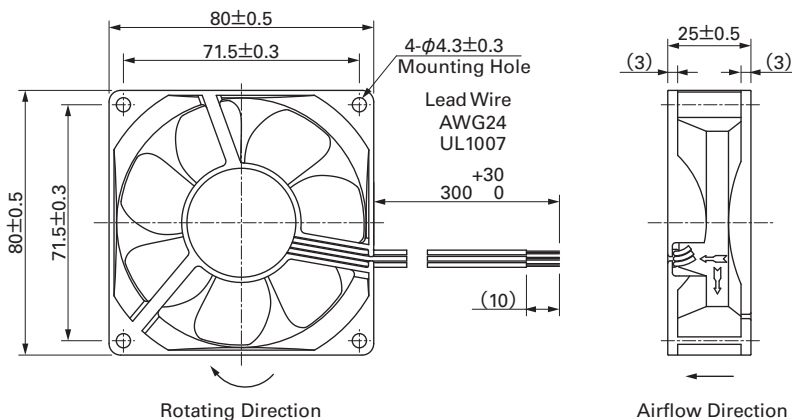
Set Models

The set models listed below can be ordered as a single order.

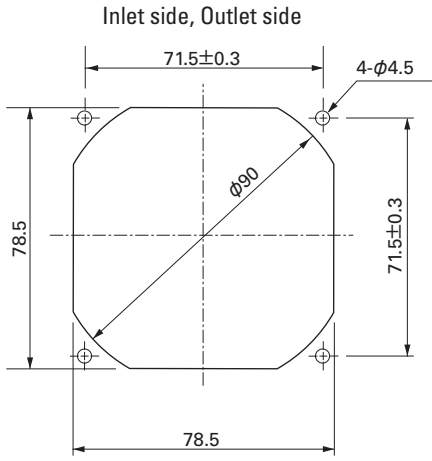
Set configuration items: Fan (without sensor), finger guard, screws (with flat washer and spring washer), hex nuts, operation manual

Model Number to Order	Fan Model	Sensor Specifications	Finger Guard Model	Mounting Screws
9U-109R0812H402	109R0812H402 (performs the same as the 109R0812H401)	Without sensor	109-049E	M4 screws (40 mm) x 4, Nuts x 4
9U-109R0824H402	109R0824H402 (performs the same as the 109R0824H401)			

Dimensions (unit : mm) (With ribs)



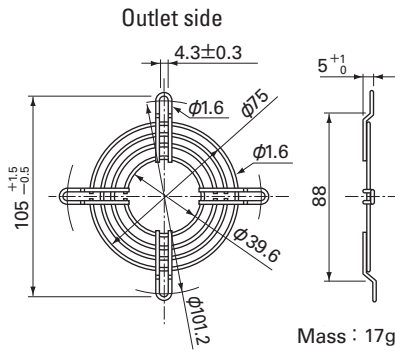
Reference Dimension of Mounting Holes and Vent Opening (unit : mm)



Options (unit : mm)

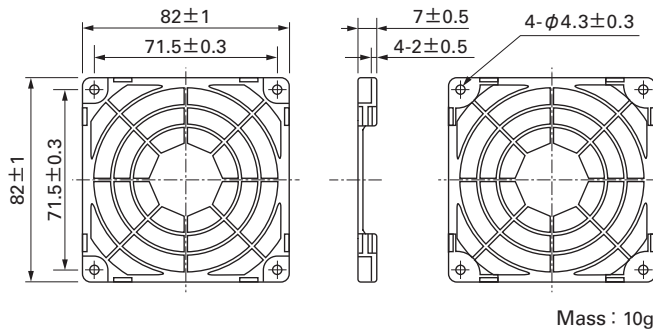
Finger Guards

Model : 109-049C Surface treatment : Nickel-chrome plating (silver) Color : Nickel-chrome plating (silver)



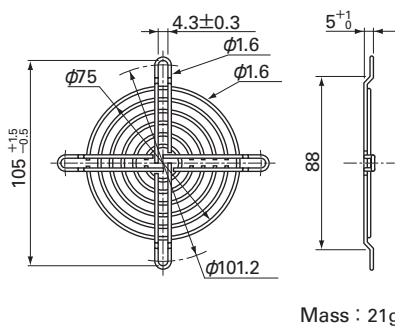
Resin Finger Guards

Model : 109-1002G



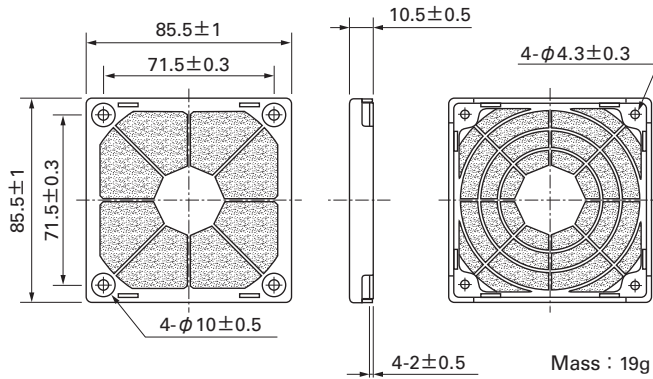
Model : 109-049E Surface treatment : Nickel-chrome plating (silver) Color : Nickel-chrome plating (silver)
 : 109-049H : Cation electropainting (black)

Inlet side, Outlet side



Resin Filter Kits

Model : 109-1002F13 (13PPI), 109-1002F20 (20PPI)
 : 109-1002F30 (30PPI), 109-1002F40 (40PPI)

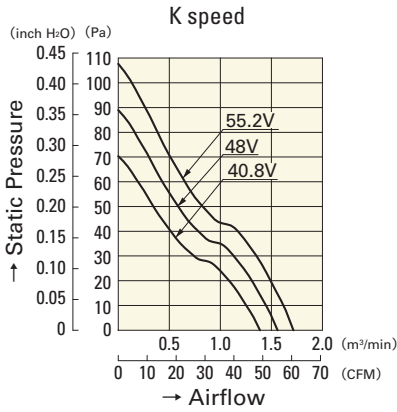


80 mm sq.

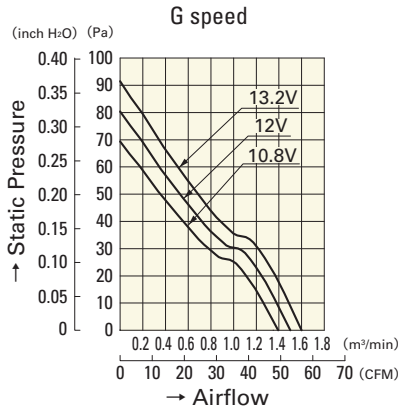
San Ace 80

80×80×25mm [Mass : 110g]

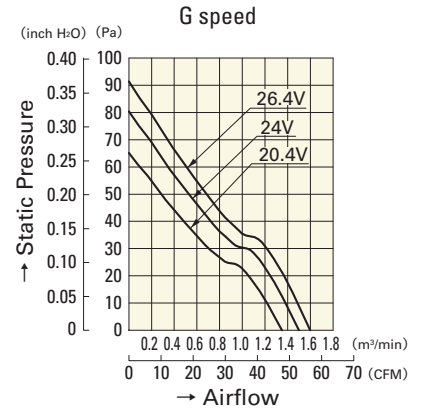
Airflow - Static Pressure Characteristics



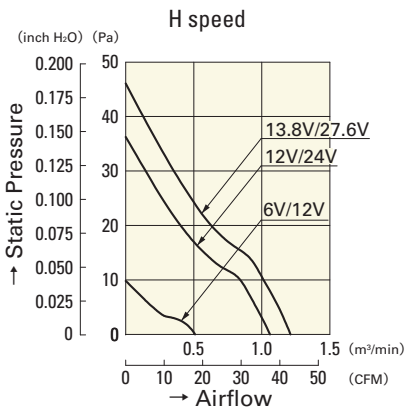
109R0848K401



109R0812G401

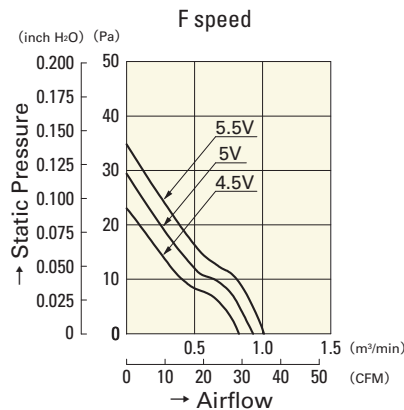


109R0824G401

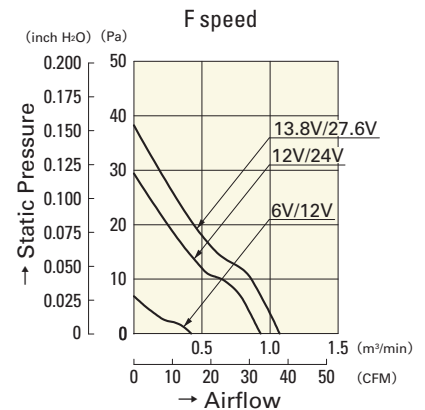


109R0812H401

109R0824H401

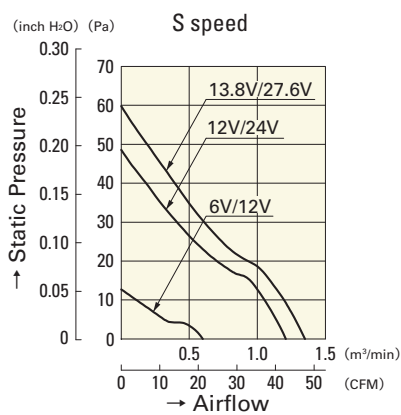


109R0805F401

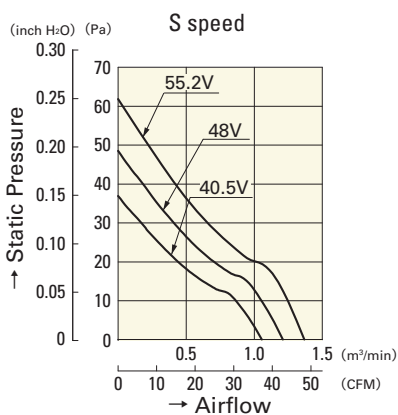


109R0812F401

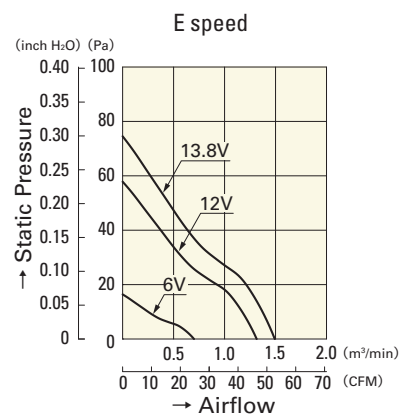
109R0824F401



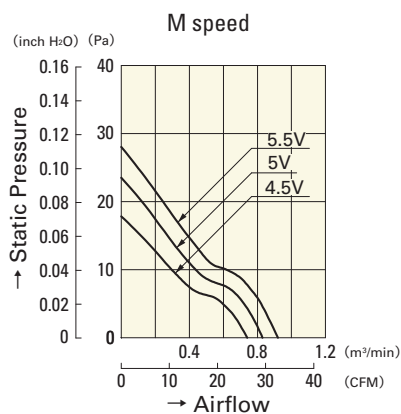
109R0812S401
109R0824S401



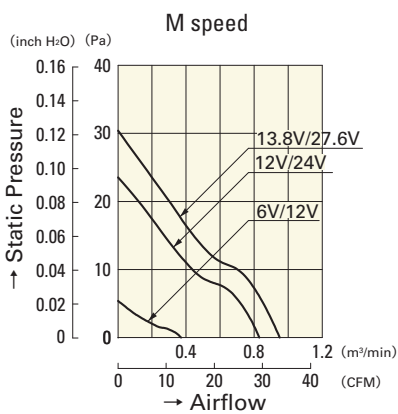
109R0848S401



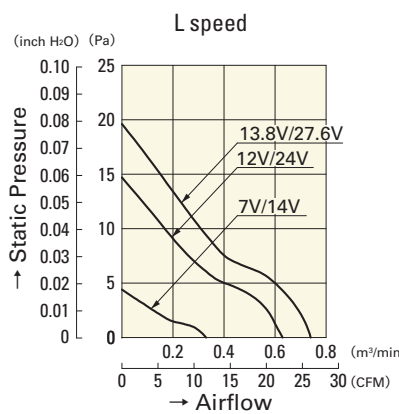
109R0812E401



109R0805M401



109R0812M401
109R0824M401



109R0812L401
109R0824L401