

## INTRODUCTIONS

1. Designed as a general purpose filter with an IEC 5x20mm fuse holder providing effective EMI suppression for both common and differential mode noise.
2. All part numbers are UL recognized, CSA certified and VDE approved.
3. Bleeder resistor is added with suffix "-R".
4. With optional Y CAP. from 100pF ~ 4700pF.

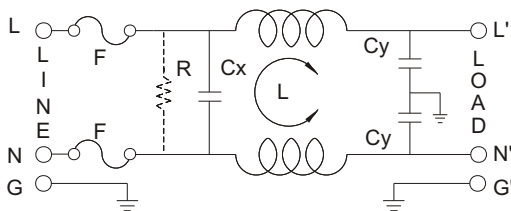
## COMPONENTS

PART NO.	Cx (uF)	L (mH)	Cy (pF)	R(Ω)
02BEEG3F-R	0.1	4.0	3300	1M
04BEEG3F-R		1.8		
06BEEG3F-R		0.8		

## MINIMUM INSERTION LOSS IN dB

COMMON MODE (L-G) IN 50 OHM SYSTEM						
CURRENT RATING	FREQUENCY-MHz					
		.15	.50	1.0	5.0	10
2A	29	38	40	42	43	41
4A	19	30	32	42	42	39
6A	13	22	26	38	42	38
DIFFERENTIAL MODE (L-L) IN 50 OHM SYSTEM						
2A	5	19	28	48	51	50
4A	5	14	21	48	48	42
6A	5	12	15	40	46	38

## ELECTRICAL SCHEMATIC



## MECHANICAL CONSTRUCTION



BEEG3F

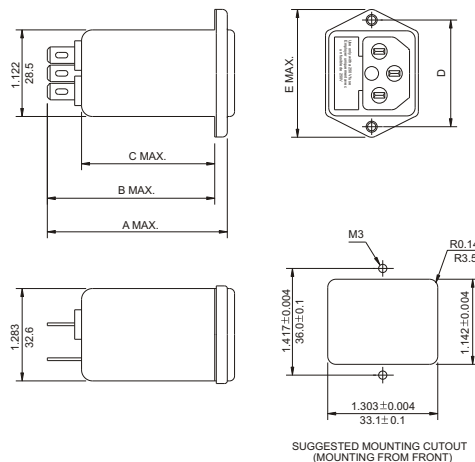
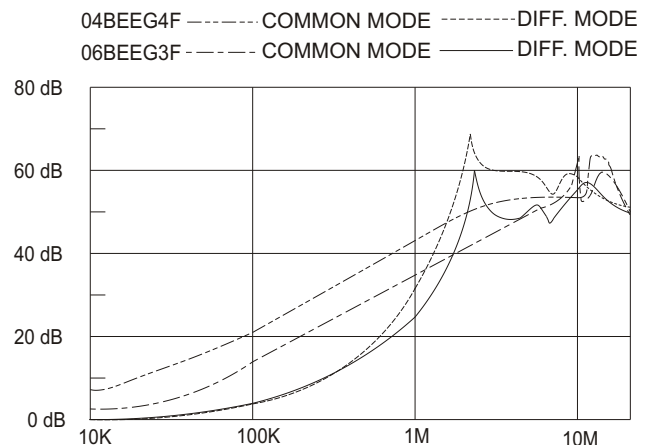
## SPECIFICATIONS

1. Maximum leakage current each  
line-to-ground @ 115VAC 60Hz: 0.25mA  
@ 250VAC 50Hz: 0.45mA
2. Hipot rating (one minute)  
line-to-ground: 2250VDC  
line-to-line: 1450VDC
3. Operating frequency: 50/60Hz
4. Rated voltage: 115/250VAC

## SERIES DIMENSIONS

DELTA PART NO.	STYLE	DIMENSIONS IN INCHES/mm				
		A	B	C	D	E
02BEEG3F	EG3F	2.263 57.5	2.106 53.5	1.66 42.0	1.42 36.0	1.74 44.0
04BEEG3F	EG3F					
06BEEG3F	EG3F					

## INSERTION LOSS (TYPICAL)



UNIT: INCH  
mm

SUGGESTED MOUNTING CUTOUT  
(MOUNTING FROM FRONT)