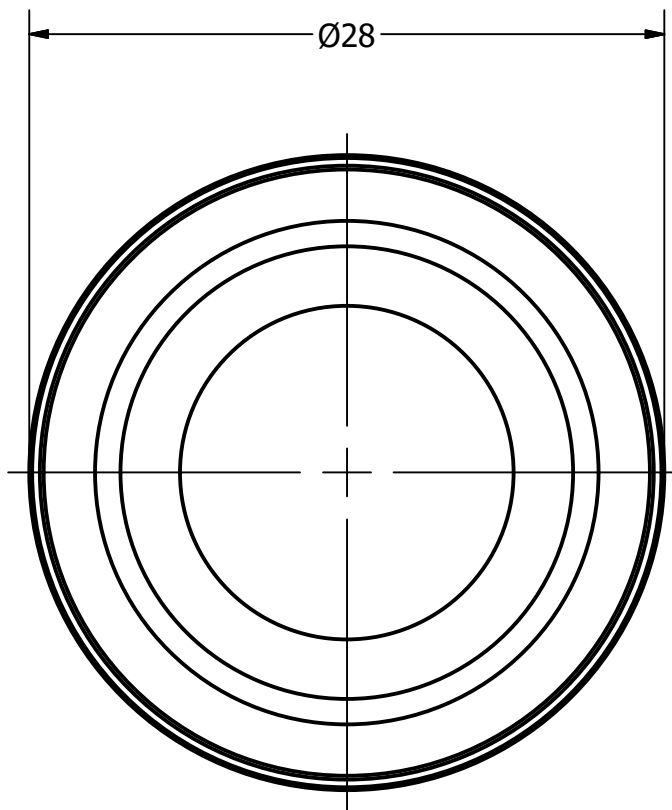
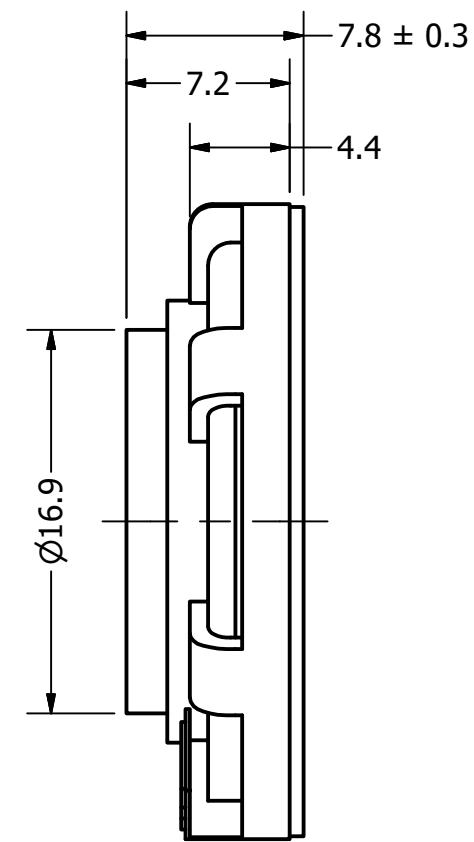


Part Number:	SW280408-2	
DRAWN	CJ	3/24/2017
CHECKED		10/2/2017
P.D.		10/2/2017
Description:	Waterproof Dynamic Speaker	
APPROVED	C.E.	10/2/2017
This document contains data proprietary to DB Unlimited. Any use or reproduction, in any form, without prior written permission of DB Unlimited is prohibited. All terms and conditions can be found at <a href="http://www.dbunlimitedco.com">www.dbunlimitedco.com</a>		

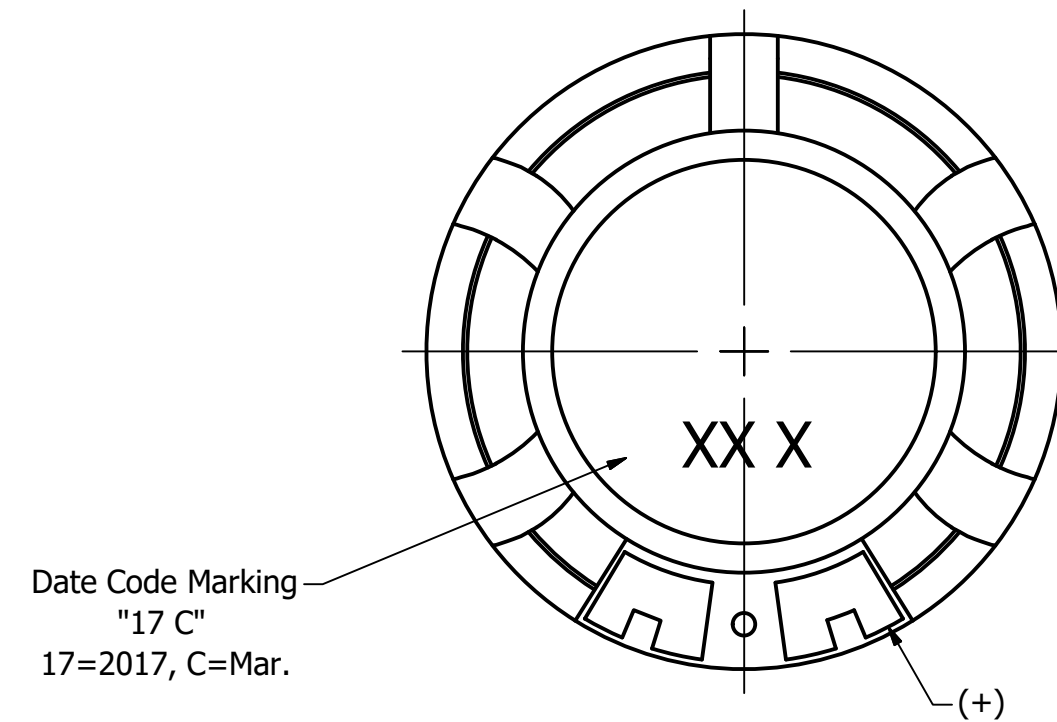
Top View



Side View



Bottom View



Items	Specifications	Conditions	REVISION HISTORY			
Sound Pressure Level	89	dB (@ 10cm), Avg.	REV	DESCRIPTION	DATE	APPROVED
Resonant Frequency	480	Hz		Released from Engineering	10/2/2017	C.E.
Frequency Range	480 ~ 10,000	Hz	1	Added polarity marking	10/25/2017	C.E.
Nominal Power	0.8	W	2	Update markings	2/28/2018	C.E.
Max. Power	1.2	W	3	Update resonant frequency, frequency range	4/2/2018	C.E.
Impedance	8	Ω	NOTES			
Cone Material	Mylar		1) All dimensions are in mm unless otherwise noted			
Mount Type	Flush Mount		2) All tolerances are ± 0.2 mm unless otherwise noted			
IP Rating	IP67		3) All parts meet RoHS			
Storage Temperature	-20 ~ +55	°C	4) Subject to change or redrawn without notice			
Operating Temperature	-20 ~ +55	°C				
Weight	6.68	g				