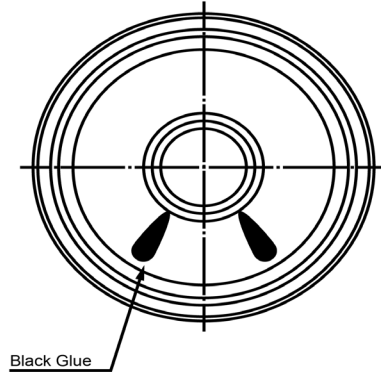
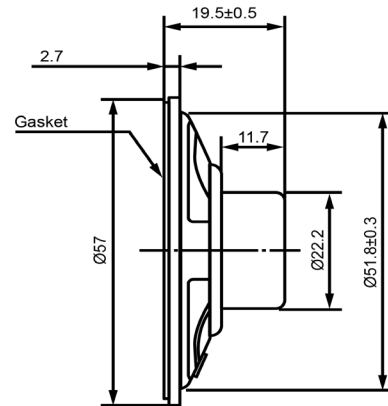


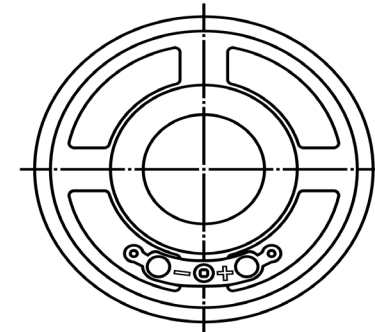
TOP VIEW





SIDE VIEW



BOTTOM VIEW



Specifications			Notes	Revision History					
Description	Value	Unit		Version	Description	Date	Approved		
Shape	Round		1) All dimensions are in mm unless otherwise noted 2) All parts meet RoHS	1	Released from Engineering	2/5/2014	J.S.		
Resonant Frequency	330	(Hz)							
Frequency Range	330 ~ 4,000	(Hz)							
SPL @ 10cm	105	(dBA)							
Impedance	8	(Ohm)							
Cone Material	Paper								
Nominal Power	0.25	(W)							
Max Power	0.5	(W)							
Mount Type	Flush Mount								
Operating Temperature	-20 ~ +70	°C							
Storage Temperature	-20 ~ +70	°C							
Weight	30	(g)							
 DB UNLIMITED			 DB UNLIMITED			Dynamic Speaker		SP570308-1	
				Drawn by G.W.	Date 1/27/2014	Checked by C.E.	Date 2/5/2014	Approved by J.S.	Date 2/5/2014