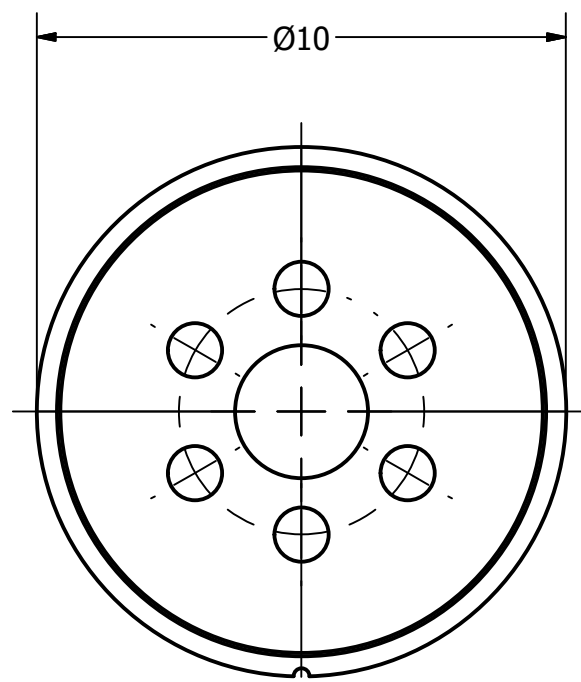
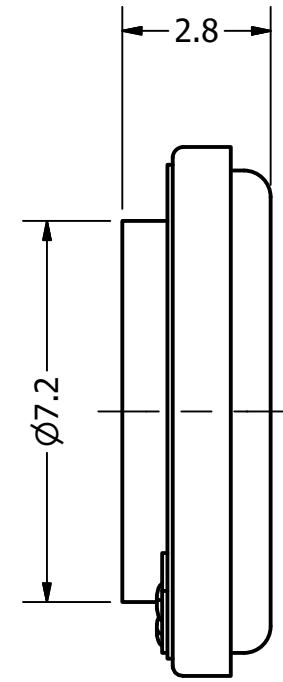


Part Number:	SM101208-1	
	DRAWN CJ	6/15/2017
Description:	CHECKED P.D.	6/15/2017
	APPROVED C.E.	6/15/2017
	Dynamic Speaker	
This document contains data proprietary to DB Unlimited. Any use or reproduction, in any form, without prior written permission of DB Unlimited is prohibited. All terms and conditions can be found at www.dbunlimitedco.com		

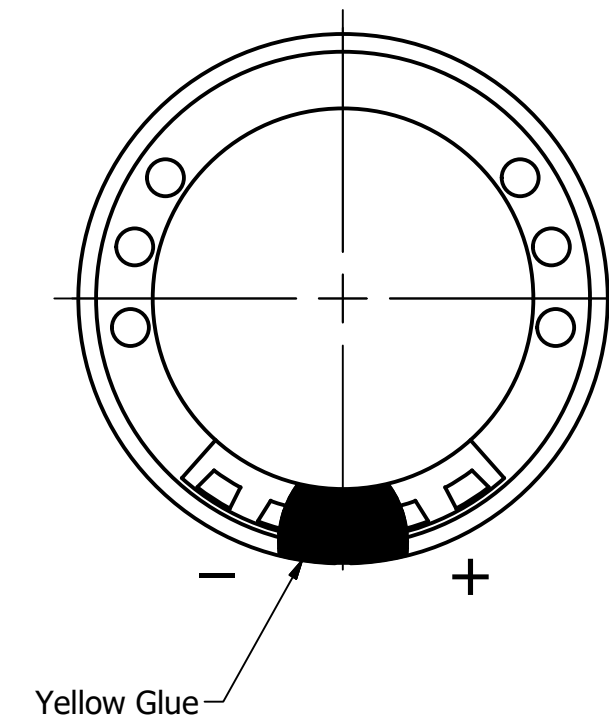
Top View



Side View



Bottom View



Items	Specifications	Conditions
Sound Pressure Level	82 ± 3	dB (@ 10cm)
Resonant Frequency	1,200	Hz
Frequency Range	1,200 ~ 6,000	Hz
Nominal Power	0.15	W
Max. Power	0.3	W
Impedance	8	Ω
Cone Material	Mylar	
Mount Type	Flush Mount	
Storage Temperature	-20 ~ +60	°C
Operating Temperature	-20 ~ +60	°C
Weight	0.8	g

REVISION HISTORY			
REV	DESCRIPTION	DATE	APPROVED
	Released from Engineering	2/5/2014	J.S.
1	Add polarity marking, update to new template	6/15/2017	C.E.

NOTES	
1)	All dimensions are in mm unless otherwise noted
2)	All tolerances are ± 0.3 mm unless otherwise noted
3)	All parts meet RoHS
4)	Subject to change or redrawn without notice