

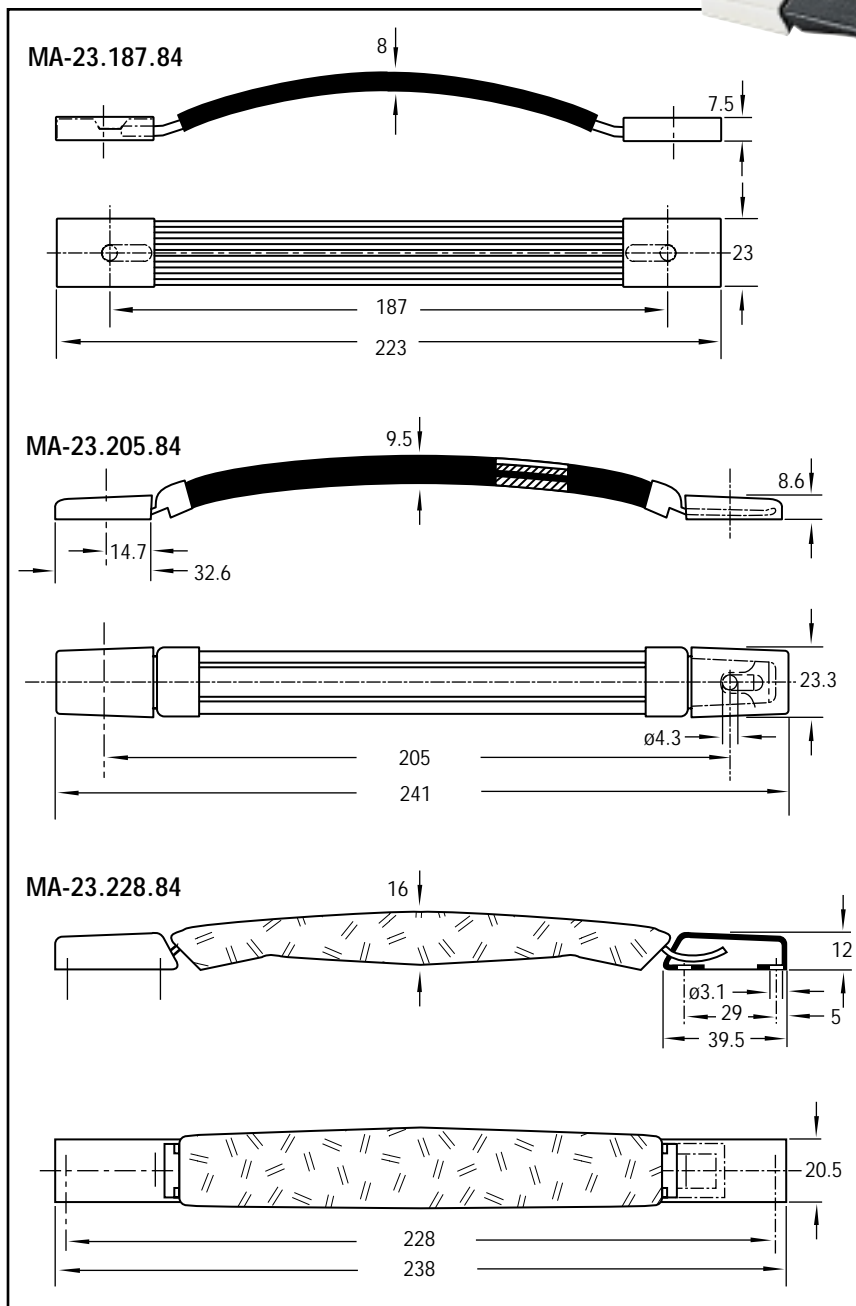
PULL-OUT CARRYING HANDLES MA

For instruments, cases and similar applications.

Material:

Black handles of soft plastic with steel spring inside.

Nickel-plated steel cover caps



	Order No.
For M4 countersunk screw DIN 963-964-966	MA-23.187.84
For M4 countersunk screw DIN 963-964-966	MA-23.205.84
Fastening from below with sheet metal screw B 3.9 DIN 7981	MA-20.228.84

All dimensions shown are in mm.

Phone: 800-554-9208 • Fax: 630-510-9944 • Web: www.daviesmolding.com

Davies Molding, LLC • 350 Kehoe Blvd • Carol Stream, IL 60188

