



CY8CKIT-050

PSoC[®] 5LP Development Kit Guide

Doc. # 001-65816 Rev. *J

Cypress Semiconductor
198 Champion Court
San Jose, CA 95134-1709
<http://www.cypress.com>

Copyrights

© Cypress Semiconductor Corporation, 2011-2018. This document is the property of Cypress Semiconductor Corporation and its subsidiaries, including Spansion LLC (“Cypress”). This document, including any software or firmware included or referenced in this document (“Software”), is owned by Cypress under the intellectual property laws and treaties of the United States and other countries worldwide. Cypress reserves all rights under such laws and treaties and does not, except as specifically stated in this paragraph, grant any license under its patents, copyrights, trademarks, or other intellectual property rights. If the Software is not accompanied by a license agreement and you do not otherwise have a written agreement with Cypress governing the use of the Software, then Cypress hereby grants you a personal, non-exclusive, nontransferable license (without the right to sublicense) (1) under its copyright rights in the Software (a) for Software provided in source code form, to modify and reproduce the Software solely for use with Cypress hardware products, only internally within your organization, and (b) to distribute the Software in binary code form externally to end users (either directly or indirectly through resellers and distributors), solely for use on Cypress hardware product units, and (2) under those claims of Cypress’s patents that are infringed by the Software (as provided by Cypress, unmodified) to make, use, distribute, and import the Software solely for use with Cypress hardware products. Any other use, reproduction, modification, translation, or compilation of the Software is prohibited.

TO THE EXTENT PERMITTED BY APPLICABLE LAW, CYPRESS MAKES NO WARRANTY OF ANY KIND, EXPRESS OR IMPLIED, WITH REGARD TO THIS DOCUMENT OR ANY SOFTWARE OR ACCOMPANYING HARDWARE, INCLUDING, BUT NOT LIMITED TO, THE IMPLIED WARRANTIES OF MERCHANTABILITY AND FITNESS FOR A PARTICULAR PURPOSE. No computing device can be absolutely secure. Therefore, despite security measures implemented in Cypress hardware or software products, Cypress does not assume any liability arising out of any security breach, such as unauthorized access to or use of a Cypress product. In addition, the products described in these materials may contain design defects or errors known as errata which may cause the product to deviate from published specifications. To the extent permitted by applicable law, Cypress reserves the right to make changes to this document without further notice. Cypress does not assume any liability arising out of the application or use of any product or circuit described in this document. Any information provided in this document, including any sample design information or programming code, is provided only for reference purposes. It is the responsibility of the user of this document to properly design, program, and test the functionality and safety of any application made of this information and any resulting product. Cypress products are not designed, intended, or authorized for use as critical components in systems designed or intended for the operation of weapons, weapons systems, nuclear installations, life-support devices or systems, other medical devices or systems (including resuscitation equipment and surgical implants), pollution control or hazardous substances management, or other uses where the failure of the device or system could cause personal injury, death, or property damage (“Unintended Uses”). A critical component is any component of a device or system whose failure to perform can be reasonably expected to cause the failure of the device or system, or to affect its safety or effectiveness. Cypress is not liable, in whole or in part, and you shall and hereby do release Cypress from any claim, damage, or other liability arising from or related to all Unintended Uses of Cypress products. You shall indemnify and hold Cypress harmless from and against all claims, costs, damages, and other liabilities, including claims for personal injury or death, arising from or related to any Unintended Uses of Cypress products.

Cypress, the Cypress logo, Spansion, the Spansion logo, and combinations thereof, WICED, PSoC, CapSense, EZ-USB, F-RAM, and Traveo are trademarks or registered trademarks of Cypress in the United States and other countries. For a more complete list of Cypress trademarks, visit cypress.com. Other names and brands may be claimed as property of their respective owners.

Contents



1. Introduction	5
1.1 Kit Contents	5
1.2 PSoC Creator	5
1.3 Additional Learning Resources	6
1.3.1 Beginner Resources	6
1.3.2 Engineers Looking for More	6
1.3.3 Learning from Peers	6
1.3.4 More Code Examples	6
1.4 Documentation Conventions	8
2. Getting Started	9
2.1 DVD Installation	9
2.2 Install Hardware	10
2.3 Install Software	10
2.4 Uninstall Software	10
2.5 Verify Kit Version	10
3. Kit Operation	11
3.1 Programming PSoC 5LP Device	11
4. Hardware	15
4.1 System Block Diagram	15
4.2 Functional Description	16
4.2.1 Power Supply	16
4.2.1.1 Power Supply Jumper Settings	17
4.2.1.2 Grounding Scheme	18
4.2.1.3 Low-Power Functionality	18
4.2.1.4 AC/DC Adaptor Specifications	19
4.2.1.5 Battery Specifications	19
4.2.2 Programming Interface	19
4.2.2.1 Onboard Programming Interface	20
4.2.2.2 JTAG/SWD Programming	20
4.2.3 USB Communication	21
4.2.4 Boost Converter	22
4.2.5 32-kHz and 24-MHz Crystal	22
4.2.6 Protection Circuit	22
4.2.6.1 Functional Description	23
4.2.7 PSoC 5LP Development Kit Expansion Ports	24
4.2.7.1 Port D	24
4.2.7.2 Port E	26
4.2.8 RS-232 Interface	27
4.2.9 Prototyping Area	27

4.2.10	Character LCD	28
4.2.11	CapSense Sensors	29
5.	Code Examples	31
5.1	Introduction	31
5.1.1	Programming the Code Examples	31
5.2	Project: VoltageDisplay_SAR_ADC	32
5.2.1	Project Description	32
5.2.2	Hardware Connections	32
5.2.3	SAR ADC Configuration	32
5.2.4	Verify Output	33
5.3	Project: VoltageDisplay_DeISigADC	33
5.3.1	Project Description	33
5.3.2	Hardware Connections	33
5.3.3	DeISig ADC Configuration	34
5.3.4	Verify Output	35
5.4	Project: IntensityLED	36
5.4.1	Project Description	36
5.4.2	Hardware Connections	36
5.4.3	Verify Output	36
5.5	Project: LowPowerDemo	36
5.5.1	Project Description	36
5.5.2	Hardware Connections	36
5.5.3	Verify Output	37
5.6	Project: CapSense	38
5.6.1	Project Description	38
5.6.2	Hardware Connections	38
5.6.3	Verify Output	38
5.7	Project: ADC_DAC	39
5.7.1	Project Description	39
5.7.2	Hardware Connections	39
5.7.3	Verify Output	39
A.	Appendix	41
A.1	Schematic	41
A.2	Board Layout	47
A.2.1	PDC-09356 Top	47
A.2.2	PDC-09356 Power	48
A.2.3	PDC-09356 Ground	49
A.2.4	PDC-09356 Bottom	50
A.3	Bill of Materials (BOM)	51
A.4	Pin Assignment Table	56
	Revision History	60
	Document Revision History	60

1. Introduction



Thank you for your interest in the CY8CKIT-050 PSoC[®] 5LP Development Kit. This kit allows you to develop precision analog and low-power designs using PSoC 5LP. You can design your own projects with PSoC Creator[™] or alter the sample projects provided with this kit.

The CY8CKIT-050 PSoC 5LP Development Kit is based on the PSoC 5LP family of devices. PSoC 5LP is a Programmable System-on-Chip[™] platform for 8-bit, 16-bit, and 32-bit applications. It combines precision analog and digital logic with a high-performance CPU. With PSoC, you can create the exact combination of peripherals and integrated proprietary IP to meet your application requirements.

1.1 Kit Contents

The PSoC 5LP Development Kit contains:

- Development board
- Kit DVD
- Quick start guide
- USB A to mini-B cable
- 3.3-V LCD module
- Jumper wires and jumper shunts

Inspect the contents of the kit; if you find any part missing, contact your nearest Cypress sales office for help.

1.2 PSoC Creator

Cypress's PSoC Creator software is a state-of-the-art, easy-to-use integrated development environment (IDE) that introduces a hardware and software design environment based on classic schematic entry and revolutionary embedded design methodology.

With PSoC Creator, you can:

- Create and share user-defined, custom peripherals using hierarchical schematic design.
- Automatically place and route select components and integrate simple glue logic, normally located in discrete muxes.
- Trade off hardware and software design considerations allowing you to focus on what matters and getting to market faster.

PSoC Creator also enables you to tap into an entire tools ecosystem with integrated compiler tool chains, RTOS solutions, and production programmers to support both PSoC 3 and PSoC 5LP.

1.3 Additional Learning Resources

Visit <http://www.cypress.com/go/psoc5> for additional learning resources in the form of datasheets, application notes, and technical reference manual.

1.3.1 Beginner Resources

[AN77759 - Getting Started with PSoC 5](#)

[PSoC Creator Training](#)

1.3.2 Engineers Looking for More

[AN54460 - PSoC 3, PSoC 4, and PSoC 5LP Interrupts](#)

[AN52705 - PSoC 3 and PSoC 5LP - Getting Started with DMA](#)

[AN52701 - PSoC 3 and PSoC 5LP - Getting Started with Controller Area Network \(CAN\)](#)

[AN54439 - PSoC 3 and PSoC 5LP External Crystal Oscillators](#)

[AN52927 - PSoC 3 and PSoC 5LP - Segment LCD Direct Drive](#)

Cypress continually strives to provide the best support. Click [here](#) to view a growing list of application notes for PSoC 3, PSoC 4, and PSoC 5LP.

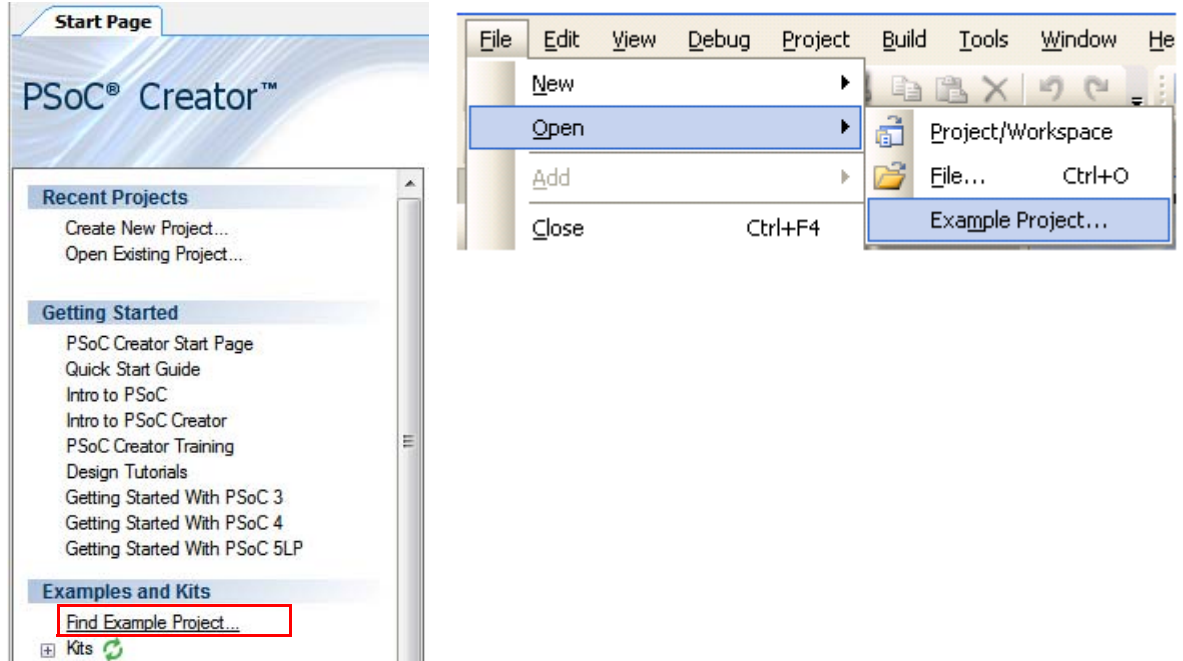
1.3.3 Learning from Peers

[Cypress Developer Community Forums](#)

1.3.4 More Code Examples

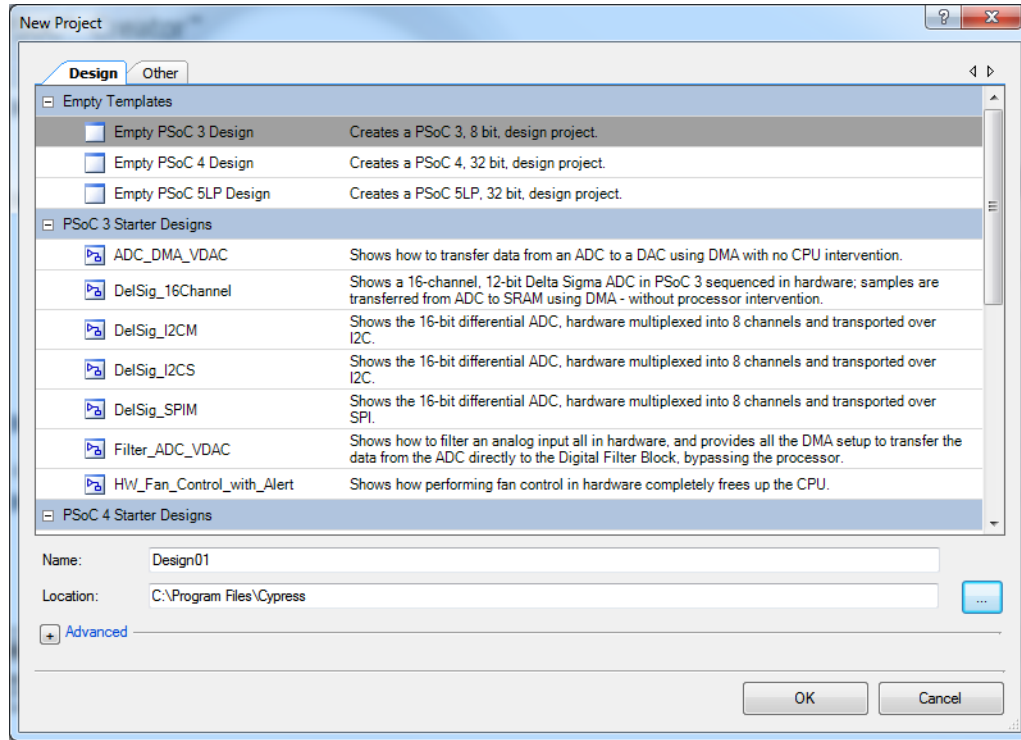
PSoC Creator provides several example projects that make code development fast and easy. To access these example projects, click on **Find Example Project...** under the **Example and Kits** section in the **Start Page** of PSoC Creator or navigate to **File > Open > Example Project...**

Figure 1-1. Find Example Project



The Find Example Project section has various filters that help you locate the most relevant project. PSoC Creator provides several starter designs. These designs highlight features that are unique to PSoC devices. They allow you to create a design with various components, instead of creating an empty design; the code is also provided. To use a starter design for your project, navigate to **File > New > Project** and select the design required.

Figure 1-2. New Project



The example projects and starter designs are designed for the CY8CKIT-001 PSoC Development Kit. However, these projects can be converted for use with the CY8CKIT-030 PSoC 3 Development Kit or CY8CKIT-050 PSoC 5LP Development Kit by following the procedure in the knowledge base article [Migrating Project from CY8CKIT-001 to CY8CKIT-030 or CY8CKIT-050](#).

1.4 Documentation Conventions

Table 1-1. Document Conventions for Guides

Convention	Usage
Courier New	Displays file locations, user entered text, and source code: C:\...cd\icc\
<i>Italics</i>	Displays file names and reference documentation: Read about the <i>sourcefile.hex</i> file in the <i>PSoC Designer User Guide</i> .
[Bracketed, Bold]	Displays keyboard commands in procedures: [Enter] or [Ctrl] [C]
File > Open	Represents menu paths: File > Open > New Project
Bold	Displays commands, menu paths, and icon names in procedures: Click the File icon and then click Open .
Times New Roman	Displays an equation: $2 + 2 = 4$
Text in gray boxes	Describes cautions or unique functionality of the product.

2. Getting Started



This chapter describes how to install and configure the PSoC 5LP Development Kit. [Kit Operation chapter on page 11](#) describes the kit operation. It explains how to program a PSoC 5LP device with PSoC Programmer and use the kit with the help of a code example. To reprogram the PSoC device with PSoC Creator, see the installation instructions for PSoC Creator. [Hardware chapter on page 15](#) details the hardware operation. [Code Examples chapter on page 31](#) provides instructions to create a simple code example. The [Appendix on page 41](#) provides the [Schematic on page 41](#) and [Bill of Materials \(BOM\) on page 51](#) associated with the PSoC 5LP Development Kit.

2.1 DVD Installation

Follow these steps to install the PSoC 5LP Development Kit software:

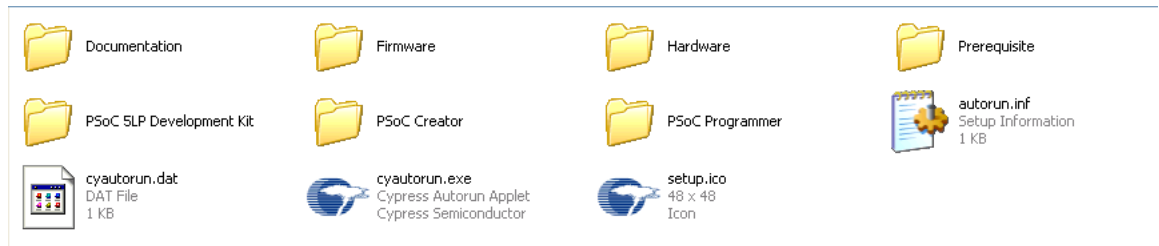
1. Insert the kit DVD into the DVD drive of your PC. The DVD is designed to auto-run and the kit menu appears.

Figure 2-1. Kit Menu



Note If auto-run does not execute, double-click *cyautorun.exe* on the root directory of the DVD.

Figure 2-2. DVD Root Directory



After the installation is complete, the kit contents are available at the following location:
 <Install_Directory>\Cypress\PSoC 5LP Development Kit\<version>

2.2 Install Hardware

No hardware installation is required for this kit.

2.3 Install Software

When installing the PSoC 5LP Development Kit, the installer checks if your system has the required software. These include PSoC Creator, PSoC Programmer, Windows Installer, .NET, and Keil Compiler. If these applications are not installed, the installer installs them in your PC before installing the kit. If Acrobat Reader application is not installed in your PC, then the installer provides the link to install the same and this does not prevent kit installation. Note that Adobe reader is required to view the kit documents.

Install the following software from the kit DVD:

- PSoC Creator 3.0 or later
- PSoC Programmer 3.19.1 or later
 - Note** When installing PSoC Programmer, select **Typical** on the Installation Type page.
- Code examples (provided in the Firmware folder)

2.4 Uninstall Software

The software can be uninstalled using one of the following methods:

- Go to **Start > Control Panel > Add or Remove Programs**; select the **Remove** button.
- Go to **Start > All Programs > Cypress > Cypress Update Manager > Cypress Update Manager**; select the **Uninstall** button.
- Insert the installation DVD and click **Install PSoC 5LP Development Kit** button. In the **CyInstaller for PSoC 5LP Development Kit 2.1** window, select **Remove** from the Installation Type drop-down menu. Follow the instructions to uninstall.

2.5 Verify Kit Version

To know the kit revision, look for the white sticker on the bottom left, on the reverse of the kit box. If the revision reads CY8CKIT-050B, then, you own the latest version.

To upgrade CY8CKIT-050/CY8CKIT-050A to CY8CKIT-050B, you can purchase our latest kits at <http://www.cypress.com/go/CY8CKIT-050>.

3. Kit Operation

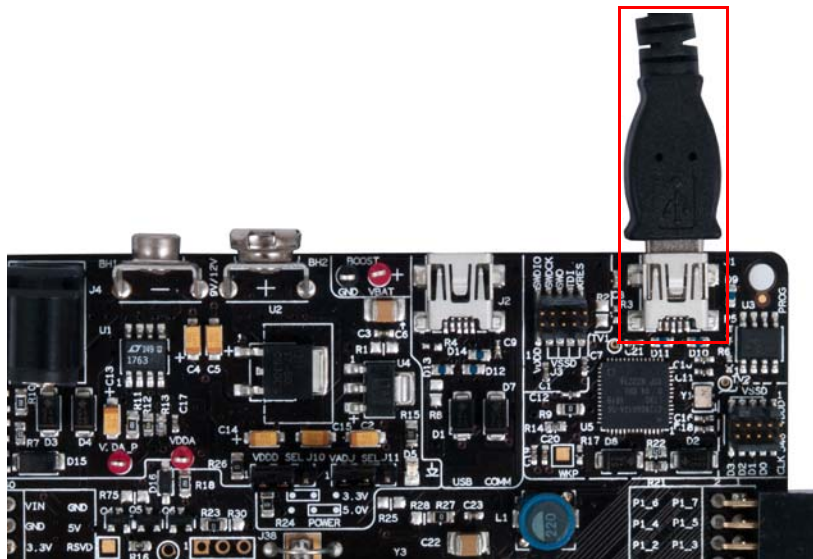


The code examples in the PSoC 5LP Development Kit help you develop precision analog applications using the PSoC 5LP family of devices. The board also has hooks to enable low-power measurements for low-power application development and evaluation.

3.1 Programming PSoC 5LP Device

The default programming interface for the board is a USB-based onboard programming interface. To program the device, plug the USB cable to the programming USB connector J1, as shown in [Figure 3-1](#).

Figure 3-1. Connect USB Cable to J1



When plugged in, the board enumerates as DVKProg5. After enumeration, initiate, build, and then program using PSoC Creator.

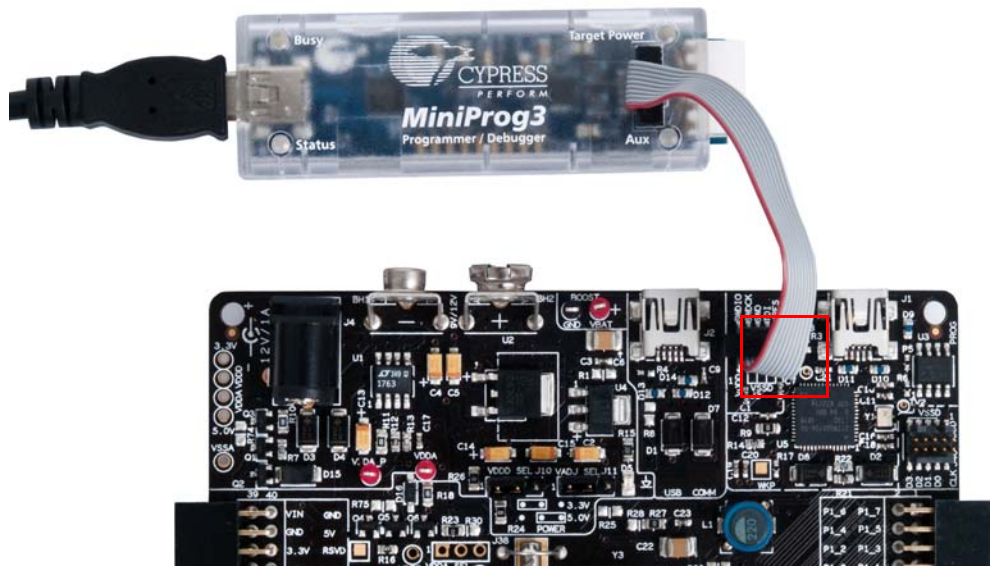
When using onboard programming, it is not necessary to power the board from the 12-V or 9-V DC supply or a battery. You can use the USB power to the programming section.

If the board is already powered from another source, plugging in the programming USB does not damage the board.

The PSoC 5LP device on the board can also be programmed using a MiniProg3 (CY8CKIT-002). To use MiniProg3 for programming, use the connector J3 on the board, as shown in [Figure 3-2](#).

Note The MiniProg3 (CY8CKIT-002) is not part of the PSoC 5LP Development Kit contents. It can be purchased from the [Cypress Online Store](#).

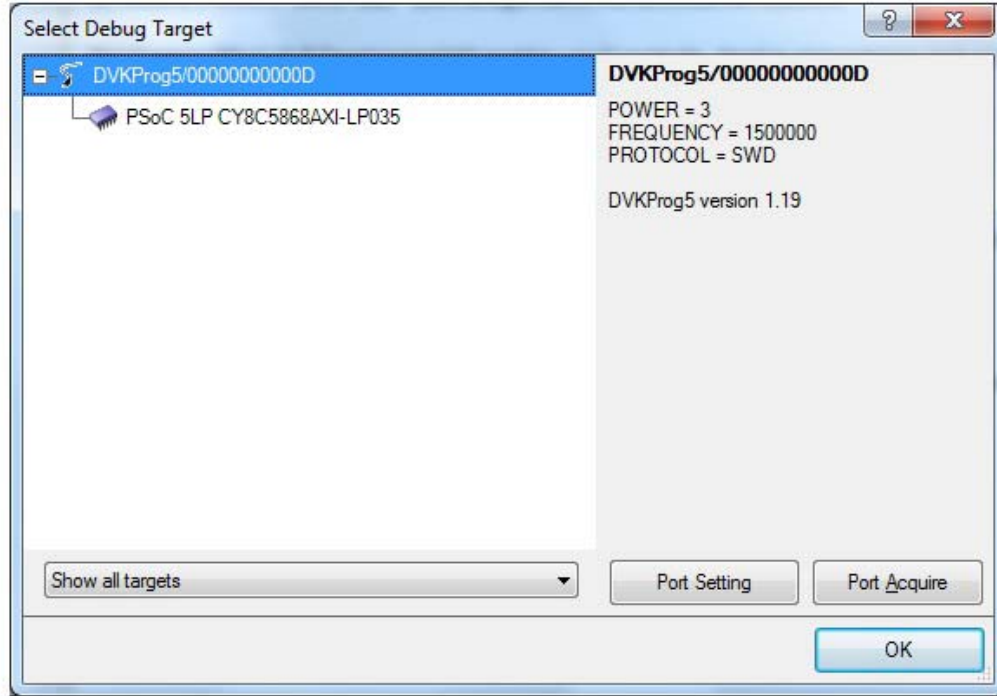
Figure 3-2. Connect MiniProg3



With the MiniProg3, programming is similar to the onboard programmer; however, the setup enumerates as a MiniProg3.

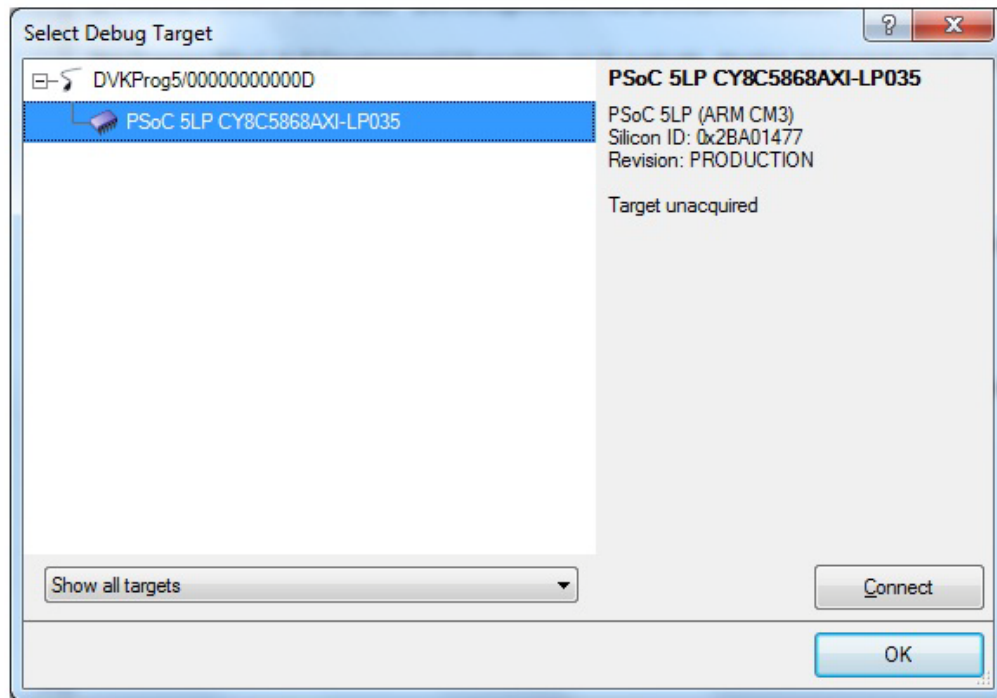
The Select Debug Target window may be displayed, as shown in the following figure.

Figure 3-3. Select Debug Target



Click **Port Acquire**. The window appears as follows. Click **Connect** to start programming.

Figure 3-4. Click Connect



4. Hardware



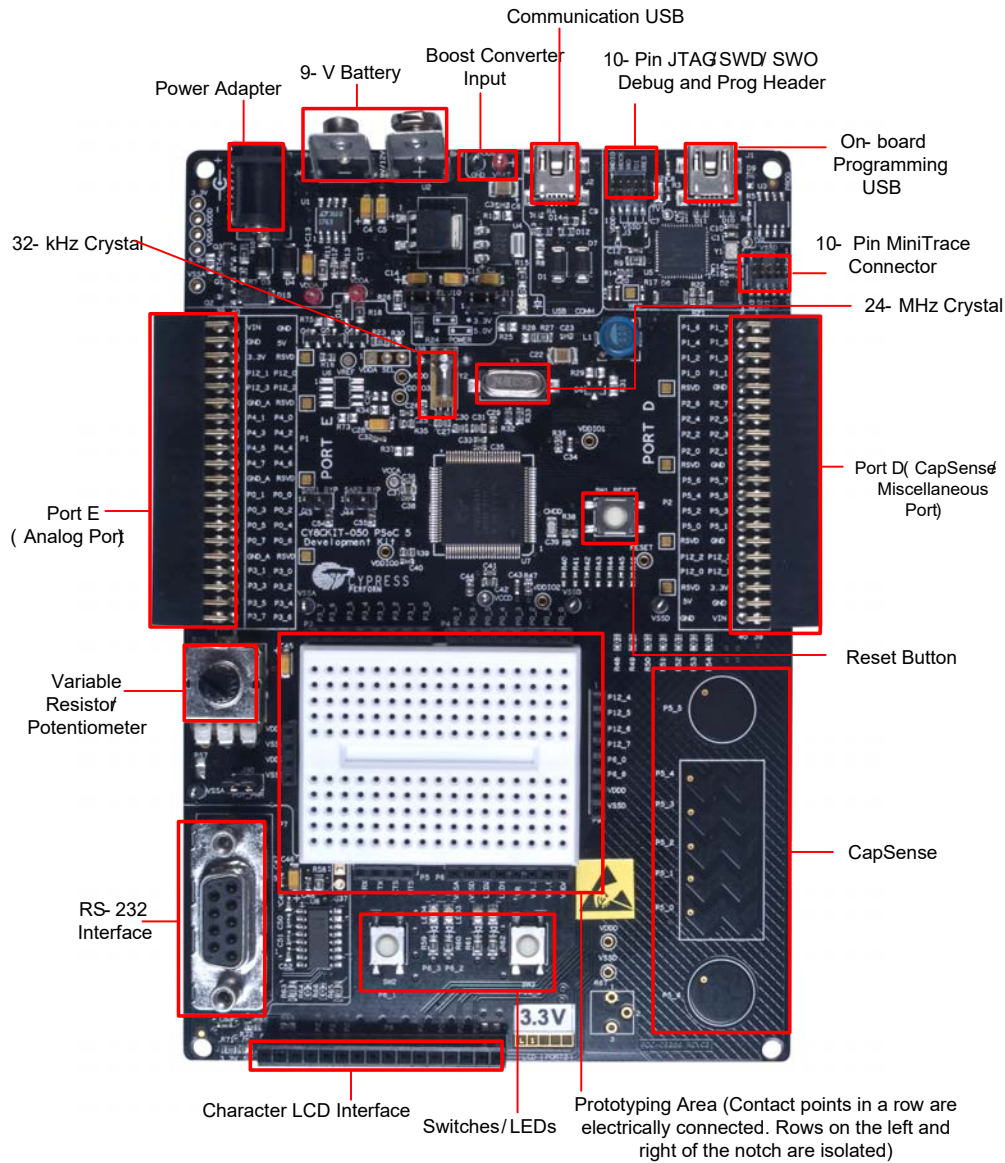
4.1 System Block Diagram

The PSoC 5LP Development Kit has the following sections:

- Power supply system
- Programming interface
- USB communications
- Boost convertor
- PSoC 5LP and related circuitry
- 32-kHz crystal
- 24-MHz crystal
- Port E (analog performance port) and port D (CapSense® or generic port)
- RS-232 communications interface
- Prototyping area
- Character LCD interface
- CapSense buttons and sliders

Note P0[2] is connected to the SAR bypass capacitor C40, which can be selected by shorting jumper J43. P0[4] is connected to the SAR bypass capacitor C55, which can be selected by shorting jumper J44.

Figure 4-1. PSoC 5LP Development Kit Details



4.2 Functional Description

4.2.1 Power Supply

The power supply system on this board is versatile; input supply can be from the following sources:

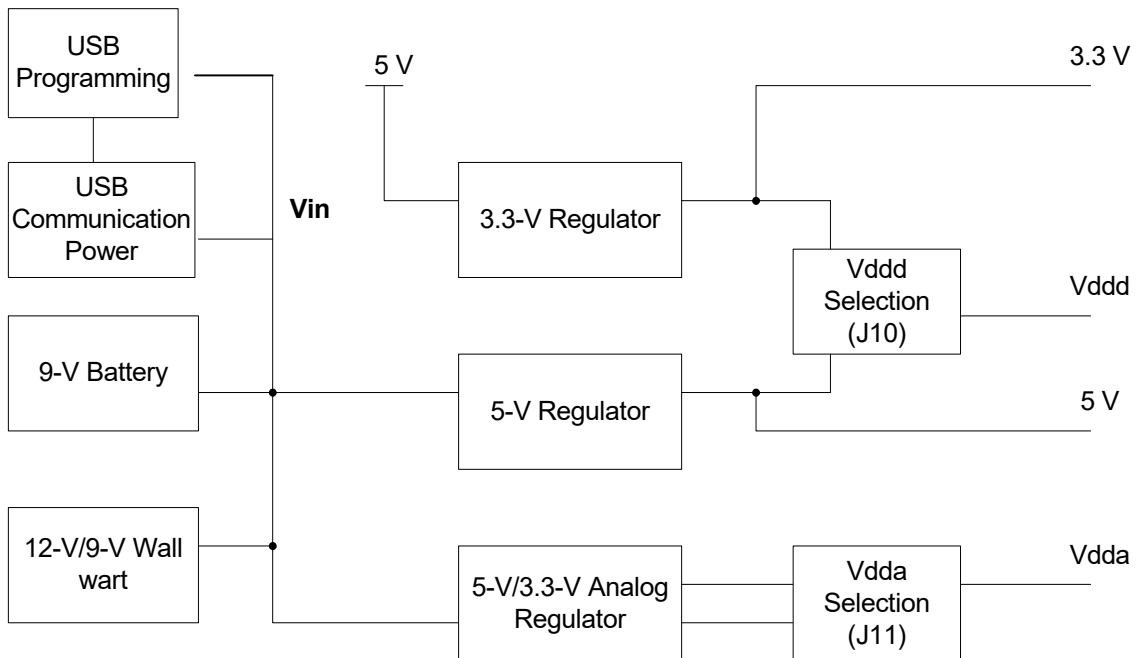
- 9-V or 12-V wall wart supply using connector J4
- 9-V battery connector using connectors BH1 and BH2
- USB power from communications section using connector J2
- USB power from the onboard programming section using connector J1
- Power from JTAG/SWD programming interface using connector J3
- Power through boost converter that uses the input test points VBAT and GND

The board power domain has five rails:

- **Vin rail:** This is where the input of the onboard regulators are connected. This domain is powered through protection diodes.
- **5-V rail:** This is the output of the 5-V regulator U2. The rail has a fixed 5-V output regardless of jumper settings. The voltage in this rail can be less than 5 V only when the board is powered by the USB. This 5-V rail powers the circuits that require fixed 5-V supply.
- **3.3-V rail:** This is the output of the 3.3-V regulator U4. This rail remains 3.3 V regardless of jumper settings or power source changes. It powers the circuits requiring fixed 3.3-V supply such as the onboard programming section.
- **Vddd rail:** This rail provides power to the digital supply for the PSoC device. It can be derived from either the 5-V or 3.3-V rail. The selection is made using J10 (3-pin jumper).
- **Vdda rail:** This rail provides power to the analog supply of the PSoC device. It is the output of a low-noise regulator U1. The regulator is a variable output voltage and can be either 3.3 V or 5 V. This is done by changing the position on J11 (3-pin jumper).

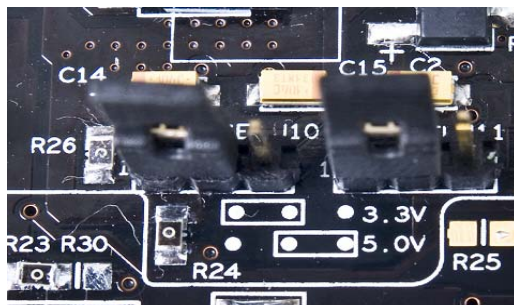
The following block diagram shows the structure of the power system on the board.

Figure 4-2. Power System Structure



4.2.1.1 Power Supply Jumper Settings

Figure 4-3. Jumper Settings



Two jumpers govern the power rails on the board. J10 is responsible for the selection of V_{ddd} (digital power) and J11 selects the V_{ADJ} of V_{dda} (analog power).

The jumper settings for each power scheme are as follows.

Powering Scheme	Jumper Settings
V _{dda} = 5 V, V _{ddd} = 5 V	J10 in 5-V setting and J11 in 5-V setting.
V _{dda} = 3.3 V, V _{ddd} = 3.3 V	J10 in 3.3-V setting and J11 in 3.3-V setting.
V _{dda} = 5 V, V _{ddd} = 3.3 V	J10 in 3.3-V setting and J11 in 5-V setting.
V _{dda} = 3.3 V, V _{ddd} = 5 V	Can be achieved, but is an invalid condition because the PSoC 5LP silicon performance cannot be guaranteed.

Warning:

- The PSoC device performance is guaranteed when V_{dda} is greater than or equal to V_{ddd}. Failure to meet this condition can have implications on the silicon performance.
- The power supply of the I/Os, V_{ddio}, is connected to V_{ddd}. Therefore, any input voltage to the PSoC I/Os must not exceed the V_{ddd}.
- When USB power is used, ensure a 3.3-V setting on both analog and digital supplies. This is because the 5-V rail of the USB power is not accurate and is not recommended. If you require 5-V operation, it is recommended to use an external power supply adapter or a 9-V battery.
- If separate analog and digital power supplies are used, the analog supply ramp rate may be slower than that of the digital supply. This may cause I/Os to be in an indeterminate state until the power supplies stabilize.

4.2.1.2 Grounding Scheme

The board design considers analog designs as major target applications. Therefore, the grounding scheme in the board is unique to ensure precision analog performance.

The board has three types of ground:

- GND - This is the universal ground where all the regulators are referred. Both V_{ssd} and V_{ssa} connect to this ground through a star connection.
- V_{ssd} - This is the digital ground and covers the digital circuitry on the board, such as RS-232 and LCD.
- V_{ssa} - This is the analog ground and covers the grounding for analog circuitry present on the board, such as the reference block.

When creating custom circuitry in the prototyping area provided on the board, remember to use the V_{ssa} for the sensitive analog circuits and V_{ssd} for the digital ones.

Port E on the board is the designated analog expansion connector. This connector brings out ports 0, 3, and 4, which are the best performing analog ports on PSoC 3 and PSoC 5 devices. Port E has two types of grounds. One is the analog ground (GND_A in the silkscreen, V_{ssa} in the schematic), which connects directly to the analog ground on the board. The other ground, known as GND, is used for the digital and high-current circuitry on the expansion board. This differentiation on the connector grounds helps the expansion board designer to separate the analog and digital ground on any high-precision analog boards being designed for port E.

4.2.1.3 Low-Power Functionality

The kit also facilitates application development, which requires low power consumption. Low-power functions require a power measurement capability, also available in this kit.

The analog supply is connected to the device through the 0-Ω resistor (R23). By removing this resistor and connecting an ammeter in series using the test points, Vdda_p and Vdda, you can measure the analog power used by the system.

The digital supply can be monitored by removing the connection on jumper J10 and connecting an ammeter in place of the short. This allows to measure the digital power used by the system.

The board provides the ability to measure analog and digital power separately. To measure power at a single point, rather than at analog and digital separately, remove resistor R23 to disconnect the analog regulator from powering the Vdda and short Vdda and Vddd through R30. The net power can now be measured at jumper J10 similar to the digital power measurement. To switch repeatedly between R23 and R30, moving around the 0-Ω resistors can be discomfoting. Hence, a J38 (unpopulated) is provided to populate a male 3-pin header and have a shorting jumper in the place of R23/R30.

While measuring device power, make the following changes in the board to avoid leakage through other components that are connected to the device power rails.

- Disconnect the RS-232 power by disconnecting R58. An additional jumper capability is available as J37 if you populate it with a 2-pin male header.
- Disconnect the potentiometer by disconnecting J30.
- Ground the boost pins if boost operation is not used by populating R1, R28, and R29. Also make sure R25 and R31 are not populated.

4.2.1.4 AC/DC Adaptor Specifications

Use adaptors with the following specifications:

- Input voltage: 100 to 240 VAC, 50 Hz to 60 Hz, 1A
- Output voltage: 12 VDC, 1A
- Power output: 12 W
- Polarization: Positive center
- Certification: CE certified

Some recommended part numbers include EPSA120100U-P5P-EJ (CUI Inc.) and LTE12W-S2 (Li Tone Electronics Co. Ltd).

4.2.1.5 Battery Specifications

Use batteries with the following specifications:

- Battery size: 6LR61 (9 V)
- Output voltage: 9 VDC
- Type: Non-rechargeable alkaline consumer batteries
- RoHS status: RoHS compliant
- Lead free status: Pb-free

Some recommended part numbers include 6LR61XWA/1SB (Panasonic), MN1604 (Duracell), and 6LR61 (Energizer).

4.2.2 Programming Interface

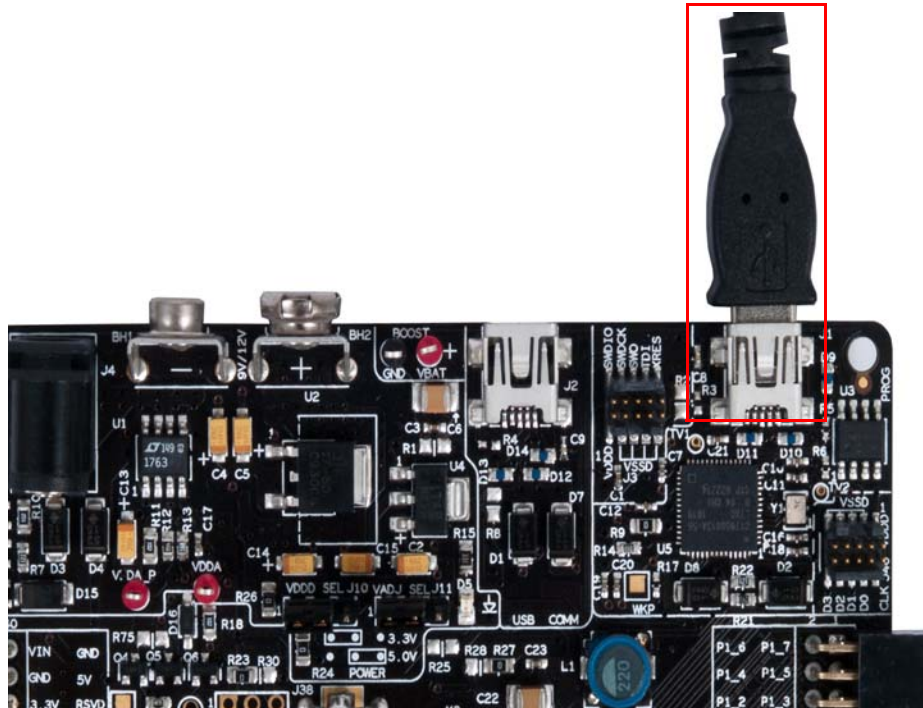
This kit allows programming in two modes:

- Using the onboard programming interface
- Using the JTAG/SWD programming interface with a MiniProg3

4.2.2.1 Onboard Programming Interface

The onboard programmer interfaces with your PC through a USB connector, as shown in [Figure 4-4](#).

Figure 4-4. Onboard Programming Interface



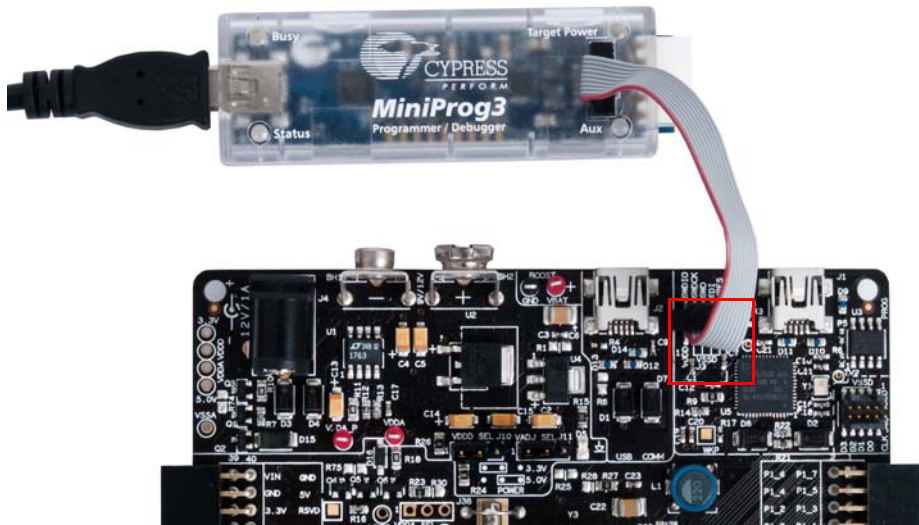
When the USB programming is plugged into the PC, it enumerates as DVKProg5 and you can use the normal programming interface from PSoC Creator to program this board through the onboard programmer. Pins P1[0] and P1[1] are connected to the onboard programmer. If you are using the onboard programmer, these pins should not be used for any other function.

A 0-Ω resistor R9 is provided on the board to disconnect power to the onboard programmer.

4.2.2.2 JTAG/SWD Programming

Apart from the onboard programming interface, the board also provides the option of using the MiniProg3. This interface is much faster than the onboard program interface. The JTAG/SWD programming is done through the 10-pin connector, J3.

Figure 4-5. JTAG/SWD Programming



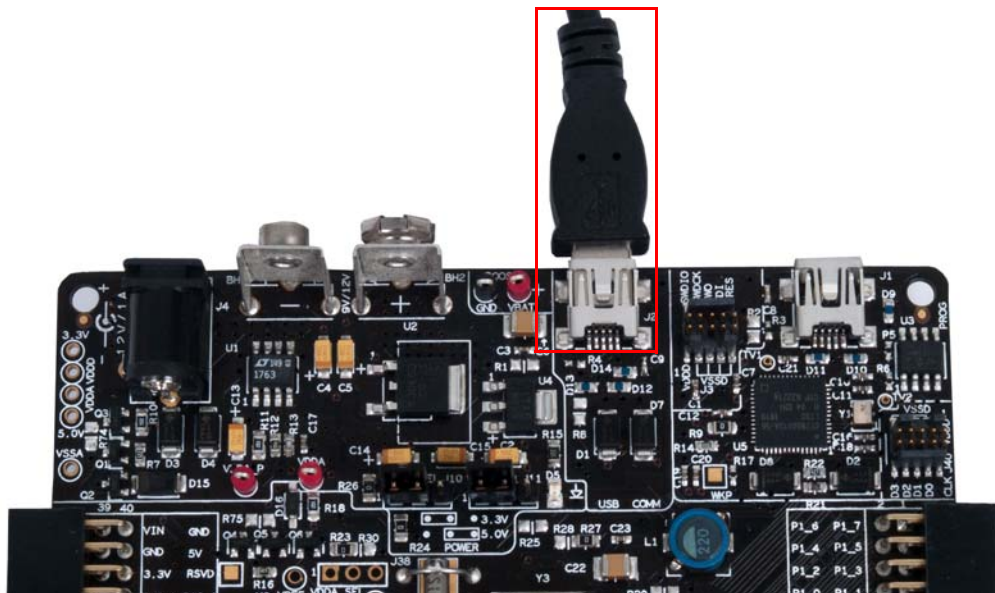
The JTAG/SWD programming using J3 requires the MiniProg3 programmer, which can be purchased from <http://www.cypress.com/go/CY8CKIT-002>.

Note While using MiniProg3, only the Reset mode is supported with this kit.

4.2.3 USB Communication

The board has a USB communications interface that uses the connector, as shown in Figure 4-6. The USB connector connects to the D+ and D- lines on the PSoC to enable development of USB applications using the board. This USB interface can also supply power to the board, as discussed in [Power Supply on page 16](#).

Figure 4-6. USB Interface



4.2.4 Boost Converter

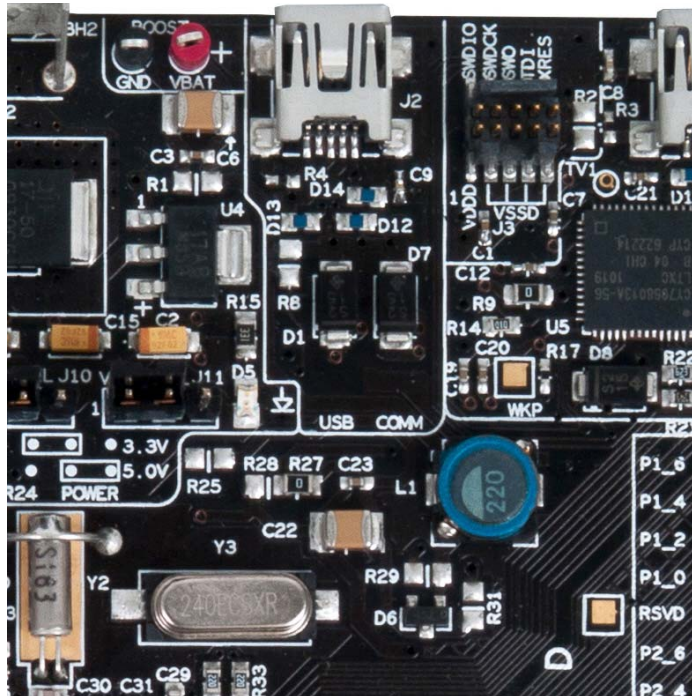
The PSoC 5LP device has the unique capability of working from a voltage supply as low as 0.5 V. This is possible using the boost converter. The boost converter uses an external inductor and a diode. These components are prepopulated on the board. [Figure 4-7](#) shows the boost converter.

To enable the boost converter functionality, make the following hardware changes on the board.

- Populate resistors R25, R27 (populated by default), R29, and R31 with 0-Ω resistors.
 - Note** See the [Bill of Materials \(BOM\)](#) on [page 51](#) for the manufacturer part number.
- Ensure that R1 and R28 are not populated

After making these changes, you can configure the project to create a boost converter-based design. The input power supply to the boost converter must be provided through the test points marked Vbat and GND.

Figure 4-7. Boost Converter



4.2.5 32-kHz and 24-MHz Crystal

PSoC 5LP has an on-chip real time clock (RTC), which can function in sleep. This requires an external 32-kHz crystal, which is provided on the board to facilitate RTC-based designs. The PSoC 5LP also has an external MHz crystal option in applications where the IMO tolerance is not satisfactory. In these applications, the board has a 24-MHz crystal to provide an accurate main oscillator.

4.2.6 Protection Circuit

A reverse-voltage and over-voltage protection circuit is added to the expansion port on the 5-V and 3.3-V lines.

The protection circuit consists of two P-channel MOSFET on the power line, allowing the current to flow from input to output depending on the voltages applied at the external board connector. [Figure 4-8](#) and [Figure 4-9](#) are protection circuits placed between EBK and the onboard components on the 5-V and 3.3-V lines.

Figure 4-8. Schematic for Protection Circuit on 5-V Power Line

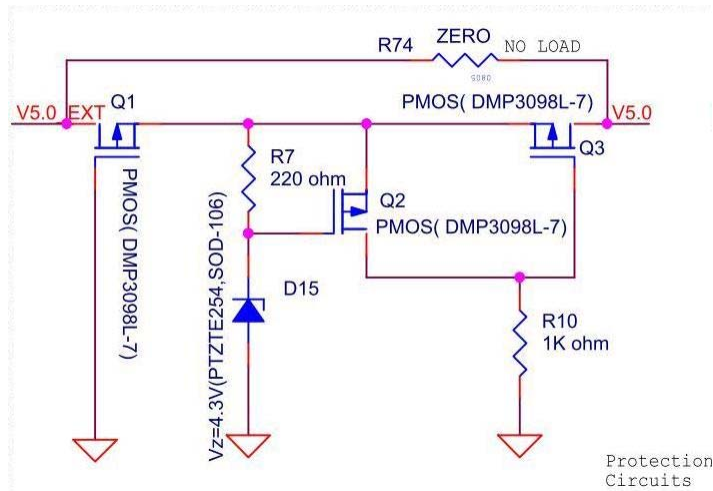
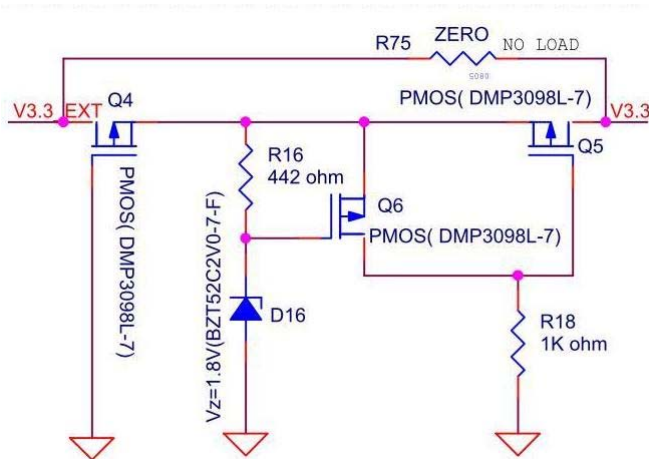


Figure 4-9. Schematic for Protection Circuit on 3.3-V Power Line



4.2.6.1 Functional Description

The protection circuit will protect from a maximum over-voltage or reverse-voltage of 12 V. The cut-off voltage on the 5-V line is 5.7 V and on the 3.3-V line is 3.6 V. This means, if you apply more than this voltage level from the external board connector side, the p-MOS Q5 will turn off, thus protecting PSoC and other onboard components. The current consumption of these protection circuits is less than 6 mA.

When voltage from the external connector is between 1.8 V and 3.3 V, the p-MOS Q4 conducts. Because the voltage across R16 is less than the threshold voltage (V_{th}) of p-MOS Q6, it will turn off and the p-MOS Q5 conducts, allowing voltage supply to the DVK.

When the external power supply exceeds 3.3 V, the p-MOS Q5 starts conducting. This eventually turns off p-MOS Q6 at 3.6 V, protecting the DVK from over-voltage.

When a reverse voltage is applied across the protection circuit from the external connector side, Q4 P-MOS will turn off, thus protecting the components on the board from reverse voltage.

If you are using the regulator power supply from the board to power the external modules, both the P-MOS Q4 and Q5 will always be in the On state, allowing the flow of current with a maximum of 22 mV drop across the circuit when the current consumed by the external module is 150 mA.

Note The working of protection circuit on the 3.3-V and 5-V lines is as described. For the purpose of explanation, the annotation of 3.3-V protection circuitry ([Figure 4-9](#)) is used.

4.2.7 PSoC 5LP Development Kit Expansion Ports

The PSoC 5LP Development Kit has two expansion ports, port D and port E, each with their own unique features.

4.2.7.1 *Port D*

This is the miscellaneous port designed to handle CapSense-based application boards and digital application boards. The signal routing to this port adheres to the stringent requirements needed to provide good performance CapSense. This port can also be used for other functions and expansion board kits (EBKs).

This port is not designed for precision analog performance. The pins on the port are functionally compatible to port B of the PSoC Development Kit. Any project made to function on port B of the PSoC Development Kit can be easily ported over to port D on this board. A caveat to this is that there is no opamp available on this port; therefore, opamp-based designs are not recommended for use on this port.

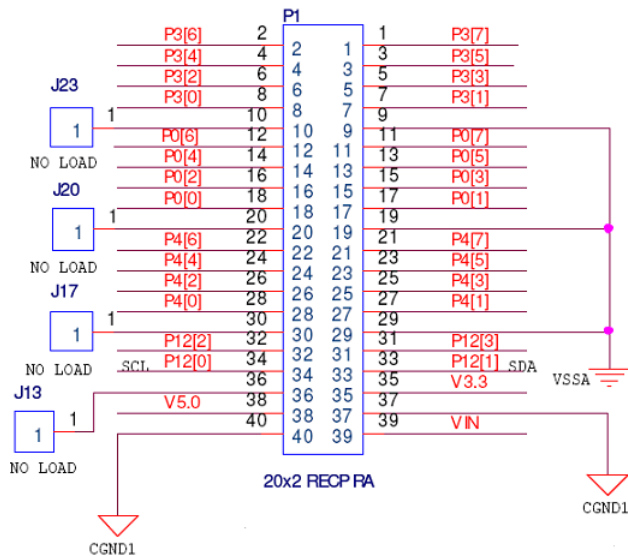
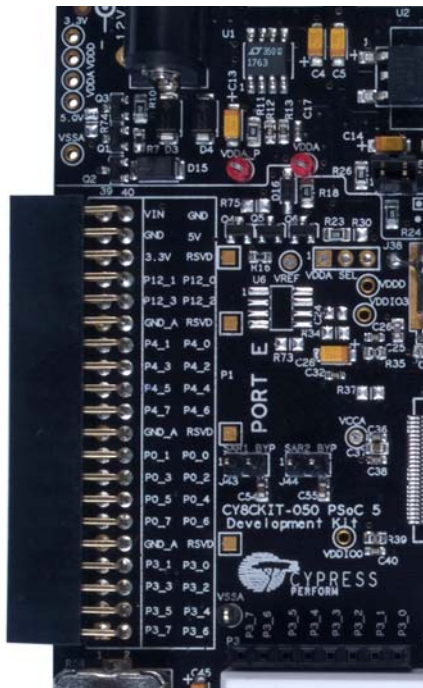
The following figure shows the pin mapping for the port.

4.2.7.2 Port E

This is the analog port on the kit and has special layout considerations. It also brings out all analog resources such as dedicated opamps to a single connect. Therefore, this port is ideal for precision analog design development. This port is functionally compatible to port A of the PSoC Development Kit and it is easy to port an application developed on port A.

This port has two types of grounds, CGND1 and CGND2. The two grounds are connected to the GND on the board, but are provided for expansion boards designed for analog performance. The expansion boards have an analog and digital ground. The two grounds on this port help to keep it distinct even on this board until it reaches the GND plane.

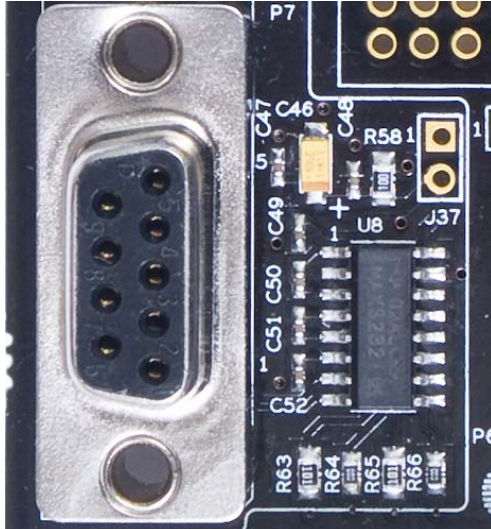
Figure 4-11. Port E



4.2.8 RS-232 Interface

The board has an RS-232 transceiver for designs using RS-232 (UART). The RS-232 section power can be disconnected through a single resistor R58. This is useful for low-power designs.

Figure 4-12. RS-232 Interface

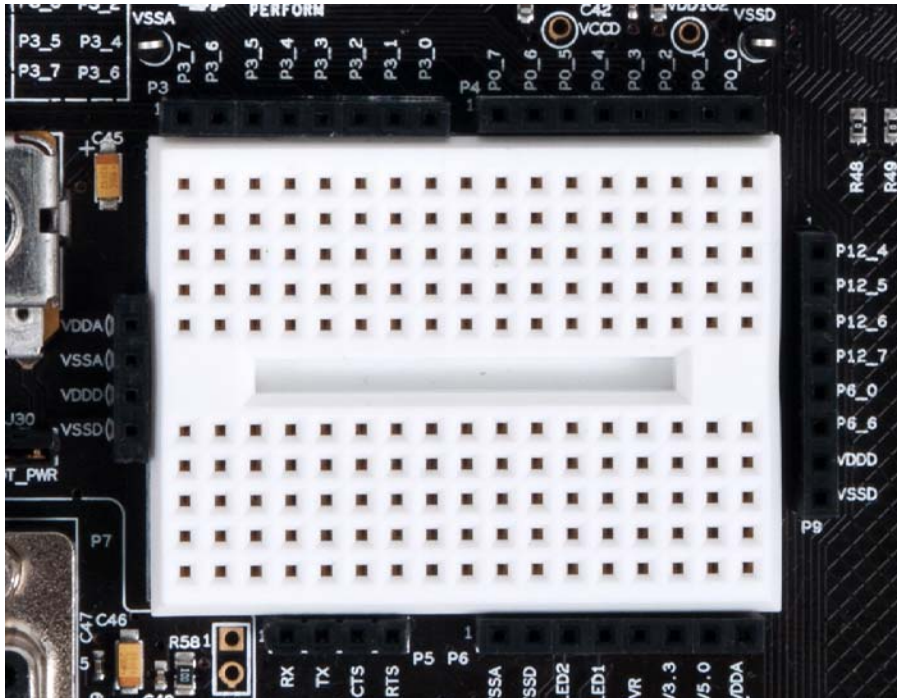


4.2.9 Prototyping Area

The prototyping area on the board has two complete ports of the device for simple custom circuit development. The ports in the area are port 0 and port 3, which bring out the four dedicated opamp pins on the device. Therefore, these ports can be used with the prototyping area to create simple yet elegant analog designs. It also brings SIOs such as port 12[4], port 12[5], port 12[6], and port 12[7] and GPIOs such as port P6[0] and port P6[6]. Power and ground connections are available close to the prototyping space for convenience.

The area also has four LEDs and two switches for applications development. The two switches on the board are hard-wired to port 15[5] and port 6[1]. Two LEDs out of the four are hard-wired to port 6[2] and port 6[3] and the other two are brought out on pads closer to the prototyping area.

Figure 4-13. Prototyping Area



This area also comprises of a potentiometer to be used for analog system development work. The potentiometer connects from Vdda, which is a noise-free supply and is hence capable of being used for low-noise analog applications. The potentiometer output is available on P6[5] and VR on header P6 in the prototyping area.

4.2.10 Character LCD

The kit has a character LCD module, which goes into the character LCD header, P8. The LCD runs on a 3.3-V supply and can function regardless of the voltage on which PSoC is powered. A 0-Ω resistor setting is available on the LCD section (R71/72), making it possible to convert it to a 3.3-V LCD.

CAUTION When the resistor is shifted to support a 5-V LCD module, plugging in a 3.3-V LCD module into the board can damage the LCD module.

Figure 4-14. Pin 1 Indication

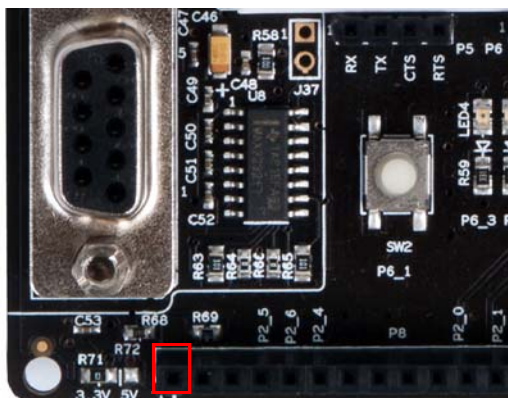
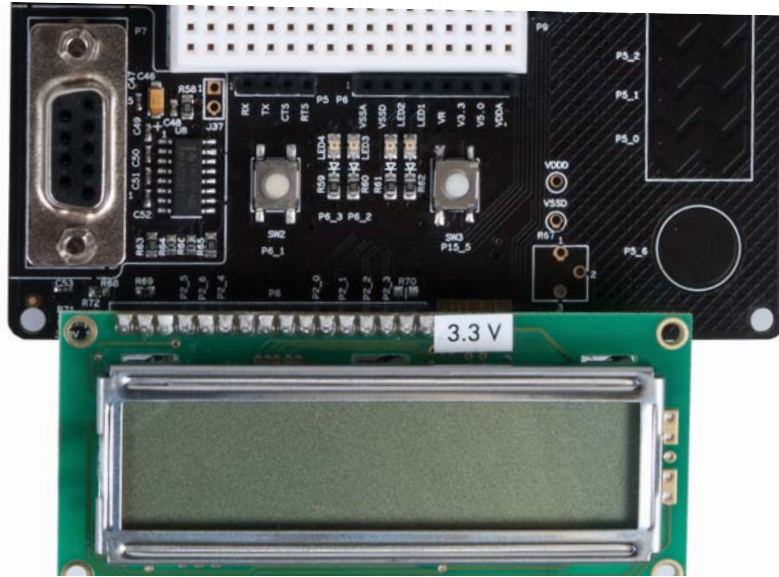


Figure 4-15. LCD Connected on P8 Connector

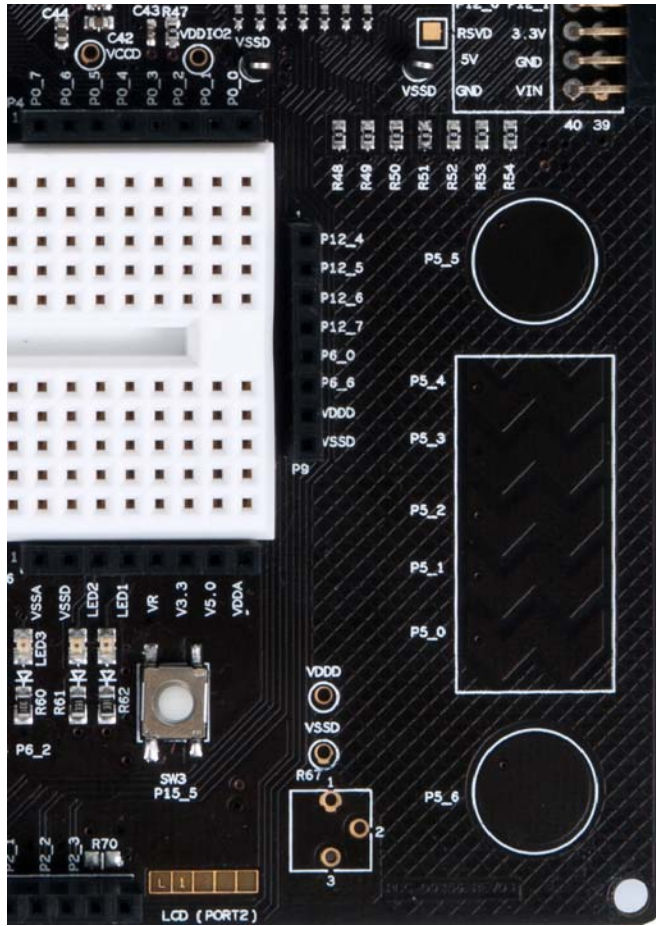


4.2.11 CapSense Sensors

The board layout considers the special requirements for CapSense. It has two CapSense buttons and a five-element CapSense slider. The CapSense buttons are connected to pins P5[6] and P5[5]. The slider elements are connected to pins P5[0:4].

The Cmod (modulation capacitor) is connected to pin P6[4] and an optional Rb (bleeder resistor) is available on P15[4].

Figure 4-16. CapSense Sensors



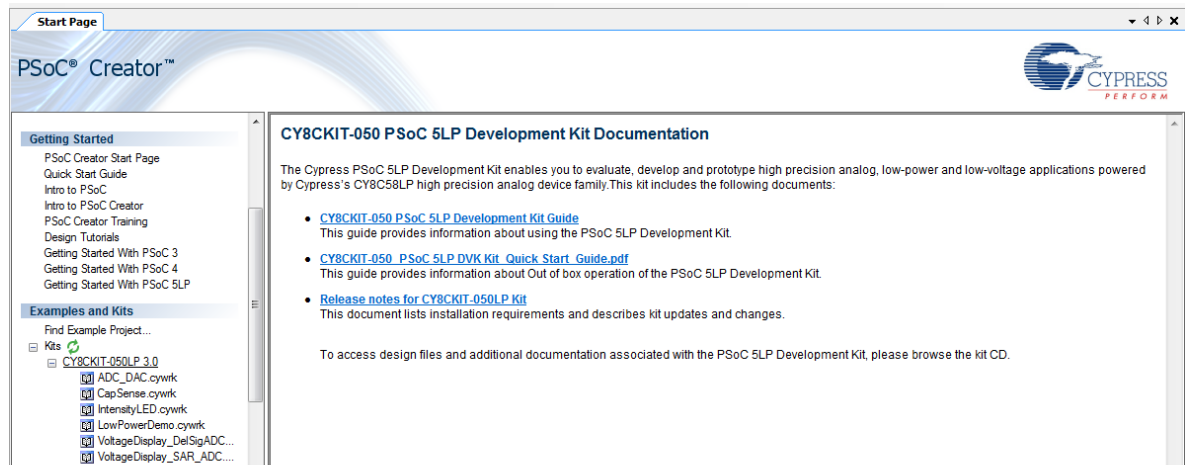
5. Code Examples



5.1 Introduction

All the code examples of this kit are for CY8C5868AXI-LP035 device. To access code examples described in this section, open the PSoC Creator Start Page. For additional code examples, visit <http://www.cypress.com>.

Figure 5-1. PSoC Creator Start Page



5.1.1 Programming the Code Examples

Follow these steps to open and program code examples:

1. Click on a code example from **Kits** on the PSoC Creator Start Page.
2. Create a folder in the desired location and click **OK**.
3. The project opens in PSoC Creator and is saved to that folder.
4. Build the code example to generate the hex file.
5. To program, connect the board to a computer using the USB cable connected to port J1, as described in [Onboard Programming Interface on page 20](#). The board is detected as DVKProg5
6. Click **Debug > Program**.
7. The programming window opens up. If the silicon is not yet acquired, select the DVKProg5 and click on the **Connect** button.
8. The silicon is acquired and is shown in a tree structure below the DVKProg5.
9. Click **OK** to exit the window and start programming.

5.2 Project: VoltageDisplay_SAR_ADC

5.2.1 Project Description

This example code measures an analog voltage controlled by the potentiometer. The code uses the internal SAR ADC configured for a 12-bit operation; the ADC range is 0 to V_{dda}. The results are displayed on the character LCD module.

Note The PSoC 5LP Development Kit is factory-programmed with this example.

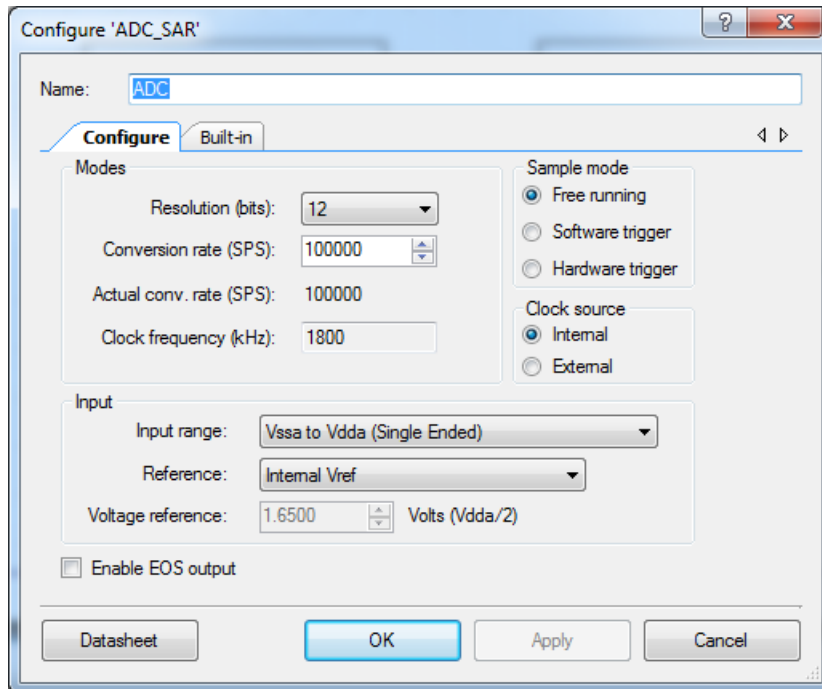
5.2.2 Hardware Connections

The example requires the character LCD on P8. Because it uses the potentiometer, the jumper POT_PWR should be in place. This connects the potentiometer to the V_{dda}.

5.2.3 SAR ADC Configuration

To view or configure the SAR ADC component, double-click the component in the *TopDesign.cysch* file.

Figure 5-2. SAR ADC Configuration



The SAR ADC is configured as follows:

- Free-running mode of operation is selected because the ADC scans only one channel continuously.
- Conversion rate is set to 100 ksp/s. The code waits for each sample, processes it, and displays the result on the LCD.
- Range is set to V_{ssa} to V_{dda} in single-ended mode because the potentiometer output is a single-ended signal that can go from 0 to V_{dda}. Therefore, at 12-bit resolution, the ADC will resolve in steps of $V_{dda}/2^{12}$.

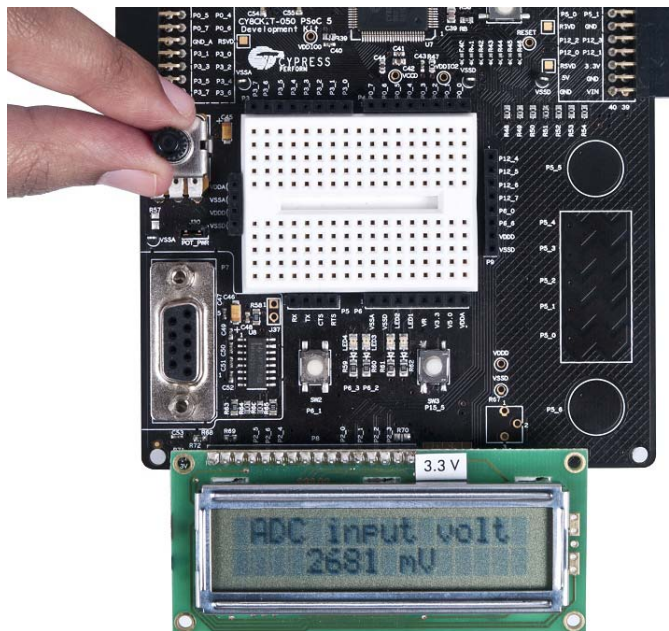
- Voltage reference should be set to $V_{dda}/2$ supply voltage when input range is set to 'Vssa to Vdda'. It is set to 1.65 V here, because by default, Vdda jumper setting on the board is set to 3.3 V. If J11 is changed to select 5 V, then this parameter should be changed to 2.5 V accordingly.

5.2.4 Verify Output

Build and program the code example, and reset the device. The LCD shows the voltage reading corresponding to the voltage on the potentiometer. [Figure 5-3](#) demonstrates the functionality. When you turn the potentiometer, the voltage value changes. You can also verify the voltage on the potentiometer using a precision multimeter.

Note The potentiometer connects to a differential ADC, which works in single-ended mode. This means the ADC input is measured against internal Vssa. Any offset in the measurement can be positive or negative. This can result in a small offset voltage even when the potentiometer is zero.

Figure 5-3. Voltage Display using SAR ADC



5.3 Project: VoltageDisplay_DeISigADC

5.3.1 Project Description

This example code measures a simple analog voltage controlled by the potentiometer. The code uses the internal DeI-Sig ADC configured for a 20-bit operation; the ADC range is 0 to V_{dda} . The voltage measurement resolution is in microvolts. The results are displayed on the character LCD module.

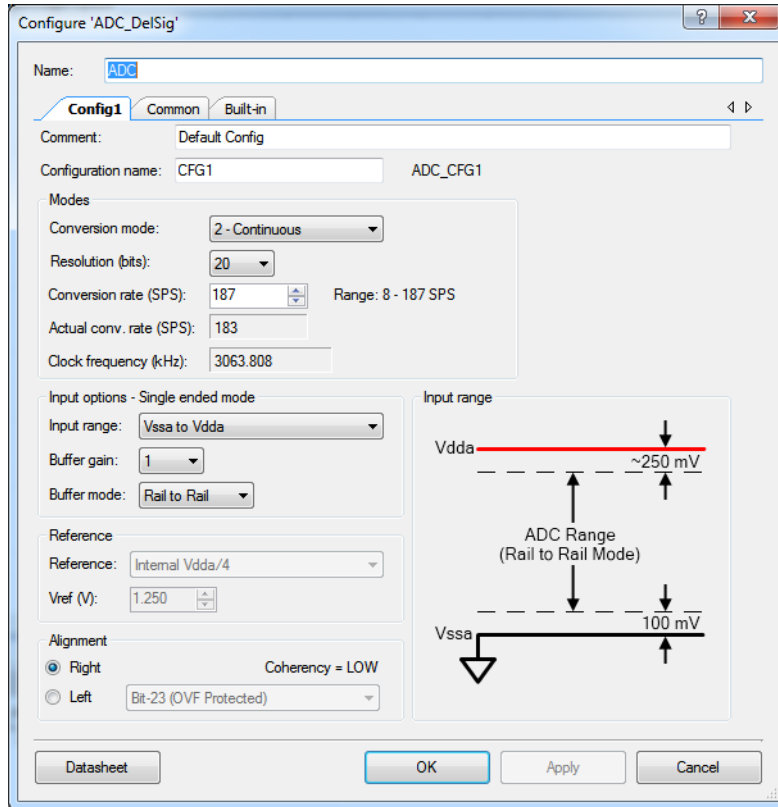
5.3.2 Hardware Connections

The example requires the character LCD on P8. Because it uses the potentiometer, the jumper POT_PWR should be in place. This connects the potentiometer to the V_{dda} . Move jumper J10 and J11 to position 2-3, this will set V_{dda} to 5 V.

5.3.3 DelSig ADC Configuration

To view or configure the Delsig ADC component, double-click the component in the *TopDesign.cysch* file.

Figure 5-4. Delta-Sigma ADC Configuration

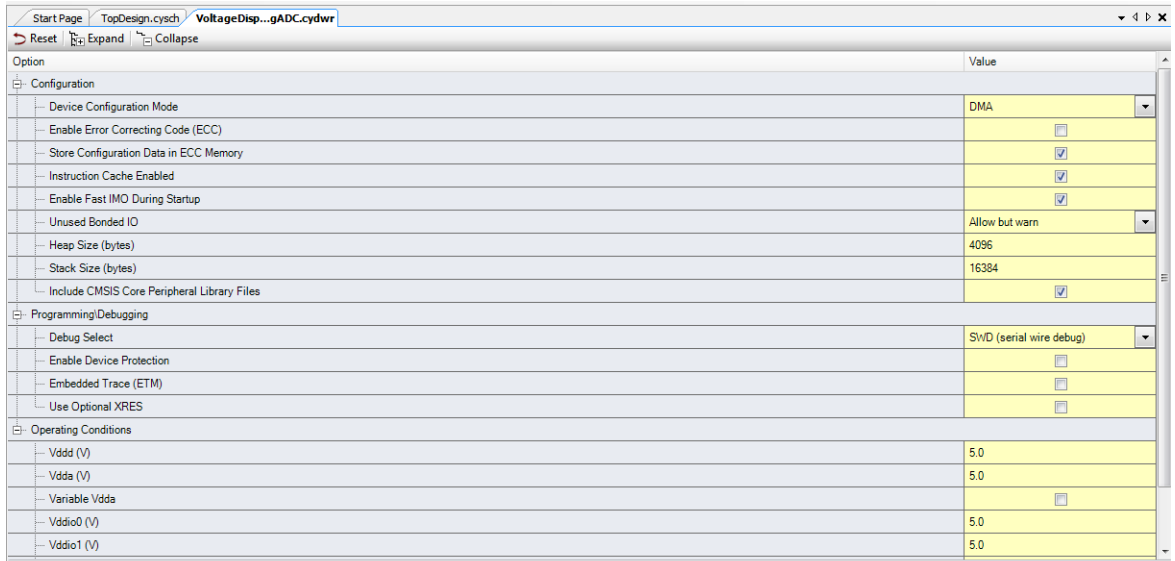


To configure the Del-Sig ADC:

- Select the continuous mode of operation because the ADC scans only one channel.
- Set the conversion rate to 187 samples/sec, which is the maximum sample rate possible at 20-bit resolution.
- Set the range from Vssa to Vdda in single-ended mode because the potentiometer output is a single-ended signal that can go from 0 to Vdda. Therefore, at 20-bit resolution, the ADC will resolve in steps of $V_{dda}/2^{20}$.

Note Internal Vdda/3 reference option is not available in the current PSoC 5LP silicon. In this project, Vdda = 5 V. The project will not work if Vdda = 3.3 V, because it needs Vdda/3 reference for Del-Sig ADC. To set Vdda to 5 V, in the VoltageDisplay_DelSigADC.cydwr window of PSoC Creator, click on the **System** tab, go to the **Operating Conditions** option. Set Vdda to 5 V.

Figure 5-5. Operating Conditions Option



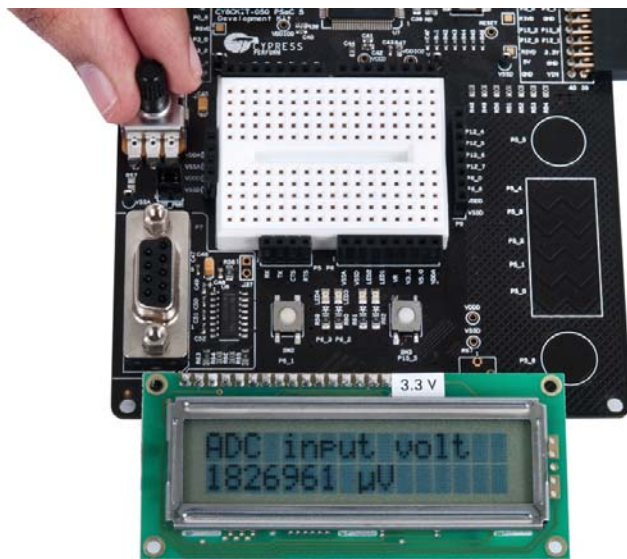
5.3.4 Verify Output

Build and program the code example, and reset the device. The LCD shows the voltage reading corresponding to the voltage on the potentiometer. Figure 5-6 demonstrates the functionality. When you turn the potentiometer, the voltage value changes. You can also verify the voltage on the potentiometer using a precision multimeter.

Notes

- The potentiometer connects to a differential ADC, which works in single-ended mode. This means the ADC input is measured against internal Vssa. Any offset in the measurement can be positive or negative. This can result in a small offset voltage even when the potentiometer is zero. Move jumper J10 and J11 back to position 1-2 after verifying the output.
- The LCD displays negative voltages when the POT is at 0th position.

Figure 5-6. Voltage Display using Del-Sig ADC



5.4 Project: IntensityLED

5.4.1 Project Description

This example code uses a pulse-width modulator (PWM) to illuminate an LED. When the pulse width of the PWM varies, the LED brightness changes. By continuously varying the pulse width of the PWM, the example code makes an LED go from low brightness to a high brightness and back.

5.4.2 Hardware Connections

No hardware connections are required for this project, because all the connections are hard-wired to specific pins on the board.

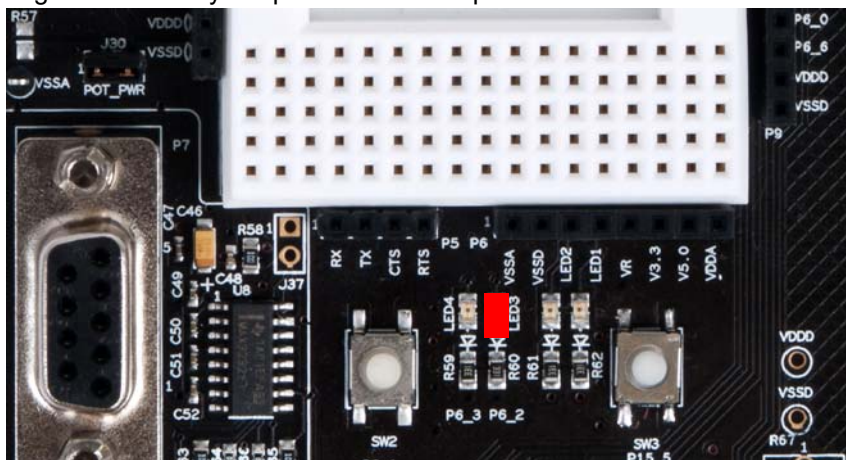
5.4.3 Verify Output

When the example code is built and programmed into the device, reset the device by pressing the Reset button or power cycling the board.

The project output is LED3 glowing with a brightness control that changes with time (see [Figure 5-7](#)).

Note If the CY8CKIT-050 is programmed with any other code example involving LCD display prior to programming the *IntensityLED.hex* file, the LCD display continues to display the output of previous project as the LCD component is not handled in the **IntensityLED** project. The LCD display gets cleared by power cycling the board.

Figure 5-7. Verify Output - Code Example



5.5 Project: LowPowerDemo

5.5.1 Project Description

This code example demonstrates the low-power functionality of PSoC 5LP. The project implements an RTC based code, which goes to sleep and wakes up on the basis of switch inputs. The RTC uses an accurate 32-kHz clock generated using the external crystal provided on the board. When there is a key press, the device is put to sleep while the RTC is kept active.

5.5.2 Hardware Connections

The project requires a 3.3 V LCD to view the time display. No extra connections are required for project functionality. To make low-power measurements using this project, implement the changes proposed in [Low-Power Functionality on page 18](#).

5.5.3 Verify Output

In normal operation, the project displays the time starting from 00:00:00 when SW2 is pressed. Normal mode is indicated by LED3 in ON state. When you press the SW2 button again, the device is put to sleep. Sleep mode is indicated by LED3 in OFF state. If an ammeter is connected to measure the system current (see [Low-Power Functionality on page 18](#) for details), a system current of less than 2 μ A is displayed.

The device wakes up when SW2 is pressed again and displays the time on the LCD. The following figures show the output display.

Figure 5-8. PSoC 5LP in Active Mode

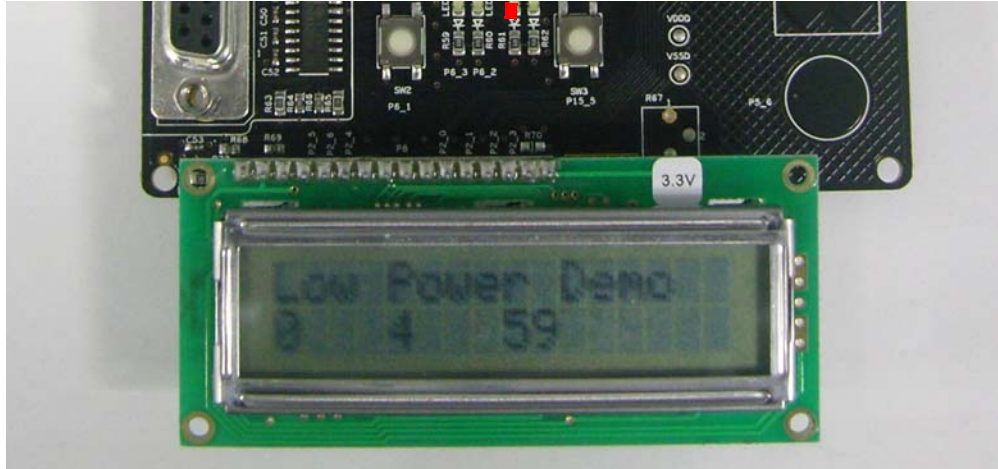
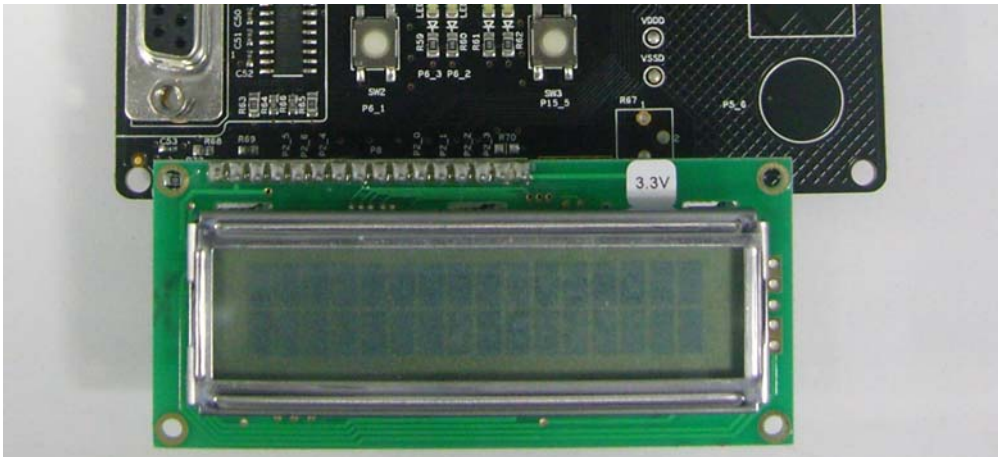


Figure 5-9. PSoC 5LP in Sleep Mode



5.6 Project: CapSense

5.6.1 Project Description

This code example provides a platform to build CapSense-based projects using PSoC 5LP. The example uses two CapSense buttons and one five-element slider provided on the board. Each capacitive sensor on the board is scanned using the Cypress CSD algorithm. The buttons are pre-tuned in the example code to take care of factors such as board parasitic.

5.6.2 Hardware Connections

This project uses the LCD for display; therefore, ensure that it is plugged into the port. No specific hardware connections are required for this project because all connections are hard-wired on the board.

5.6.3 Verify Output

Build and program the code example, and reset the device. The LCD displays the status of the two buttons as On/Off. The LCD also shows the slider touch position as a percentage. When you touch a button, the LCD displays ON; when you remove the finger from the button, the LCD displays OFF. When the slider is touched, the corresponding finger position is displayed as a percentage on the LCD.

Figure 5-10. CapSense Slider

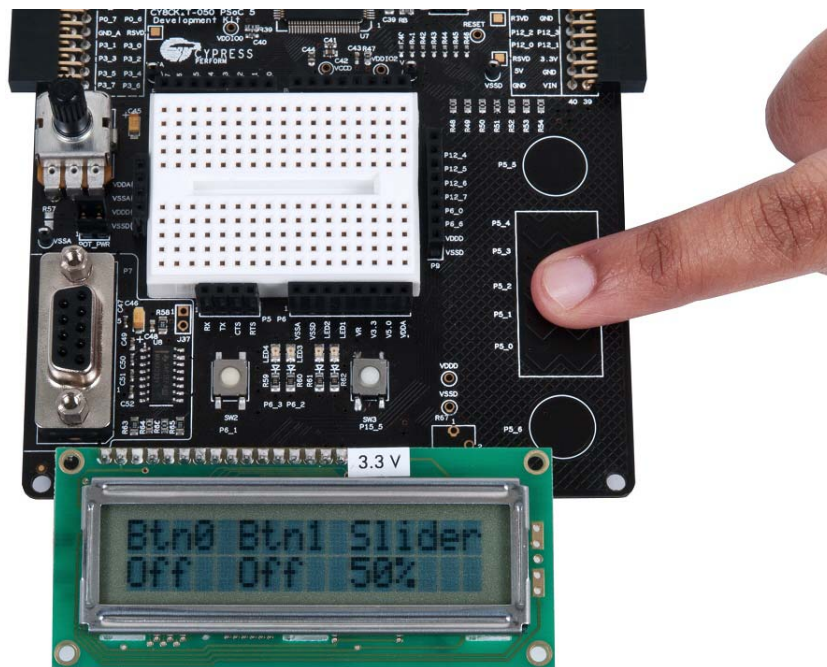
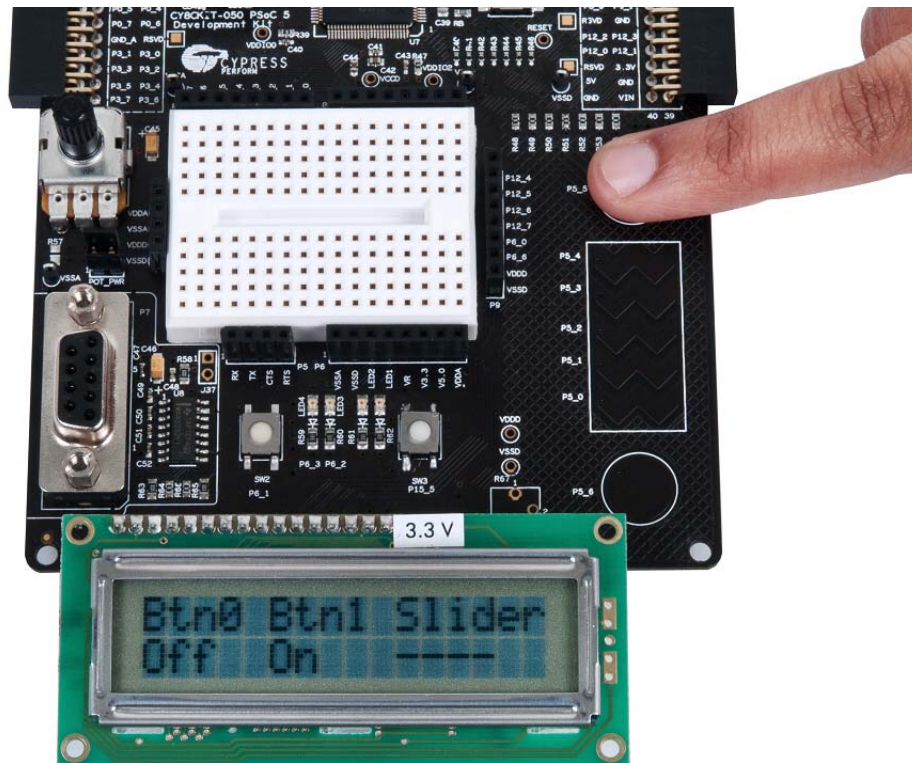


Figure 5-11. CapSense Button



5.7 Project: ADC_DAC

5.7.1 Project Description

This project demonstrates sine wave generation by using an 8-bit DAC and DMA. The sine wave period is based on the current value of the ADC value of the potentiometer.

The firmware reads the voltage output by the board potentiometer and displays the raw counts on the LCD. An 8-bit DAC outputs a table generated sine wave to an LED using DMA at a frequency proportional to the ADC count.

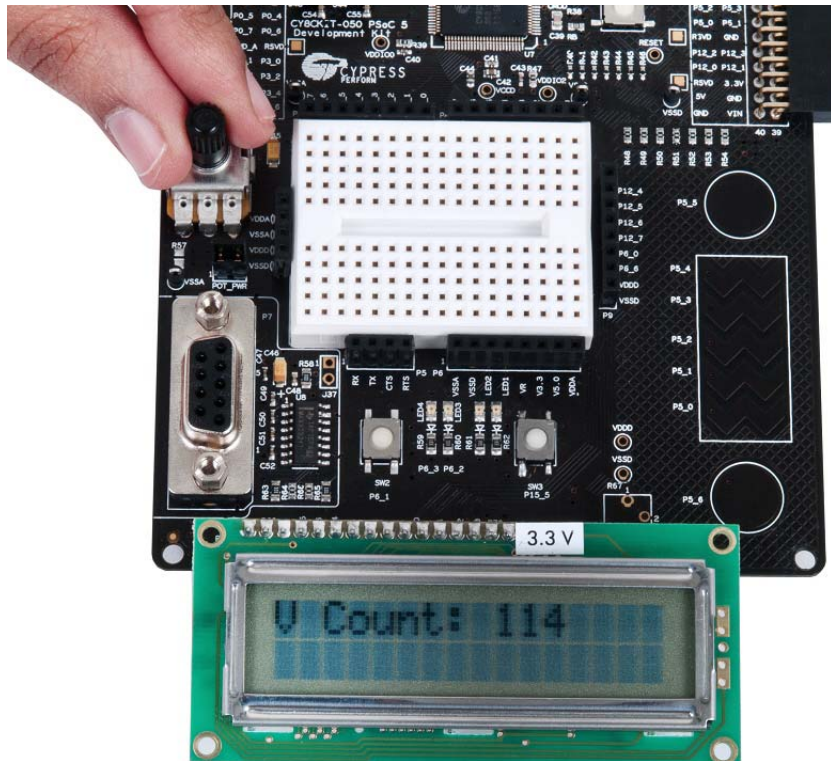
5.7.2 Hardware Connections

For this example, the character LCD must be installed on P8. The example uses the potentiometer; therefore, the jumper POT_PWR should also be in place. This jumper connects the potentiometer to the Vdda.

5.7.3 Verify Output

Build and program the code example, and reset the device to view the ADC output displayed on the LCD. LED4 is an AC signal output whose period is based on the ADC. Turning the potentiometer results in LCD value change. This also results in change in the period of the sine wave fed into LED4. When the potentiometer changes, the blinking rate of LED4 changes.

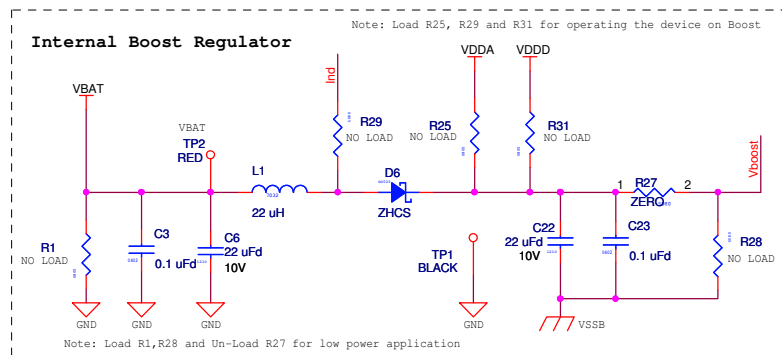
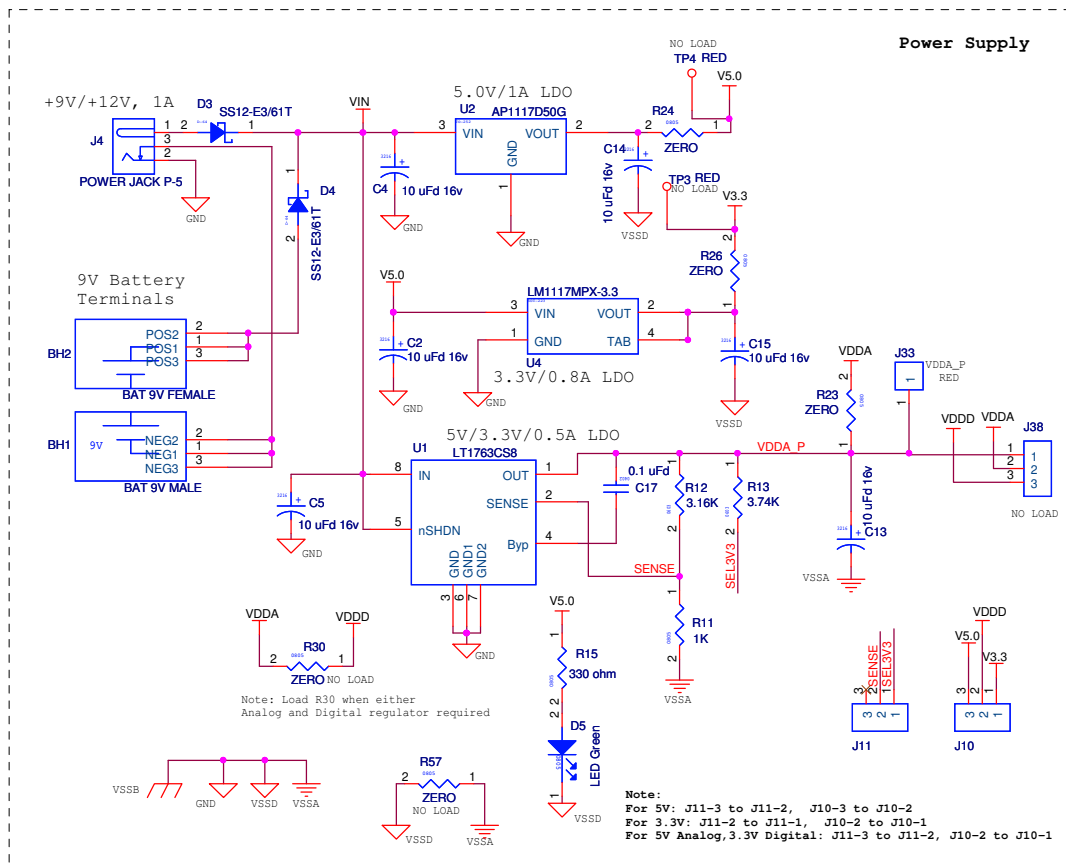
Figure 5-12. ADC Output

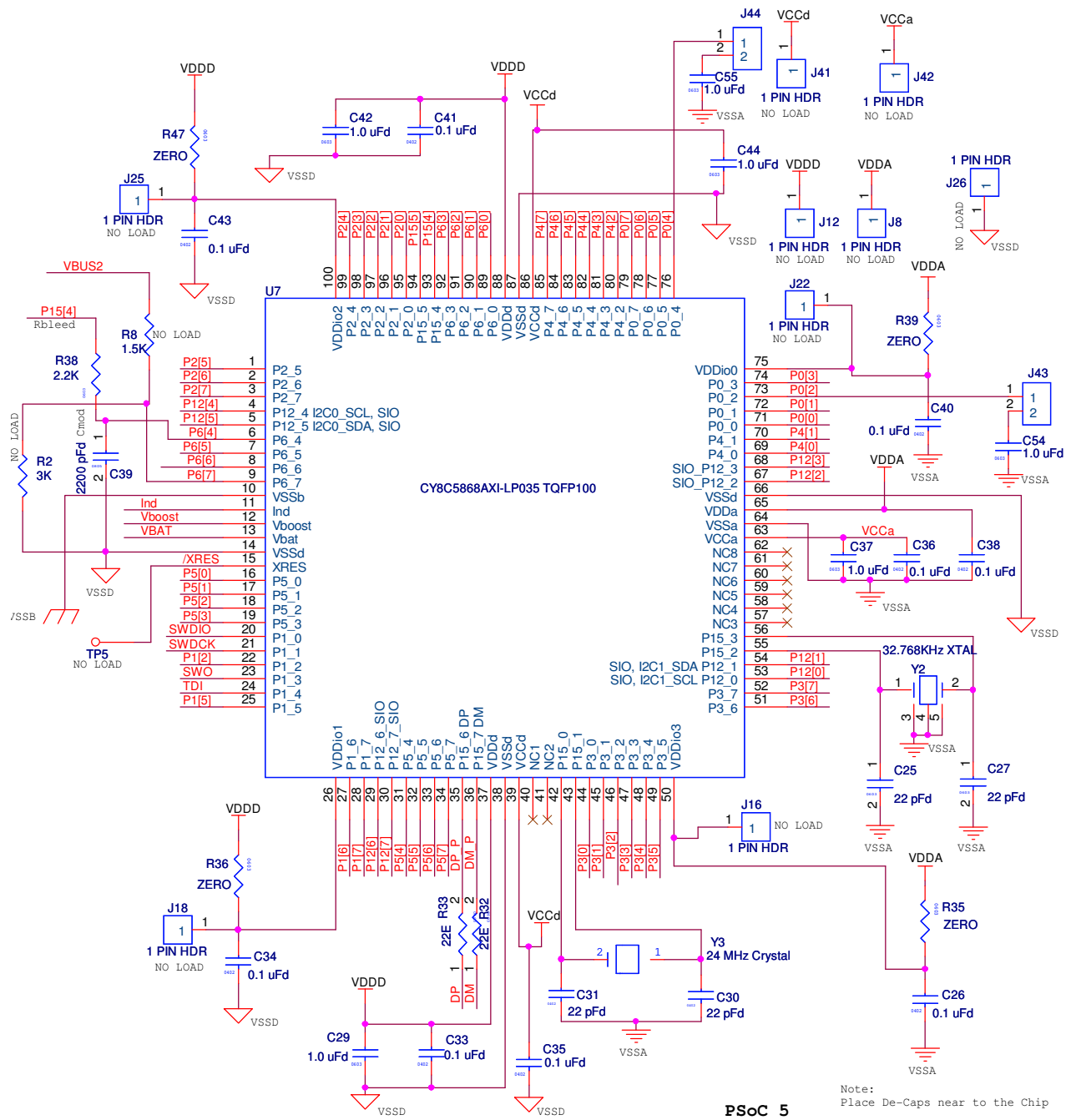


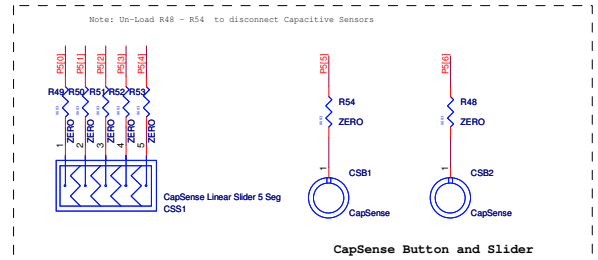
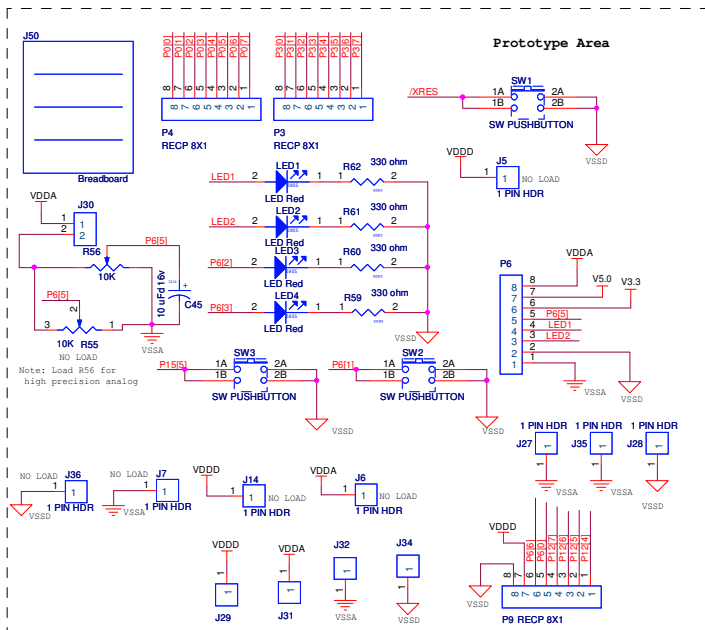
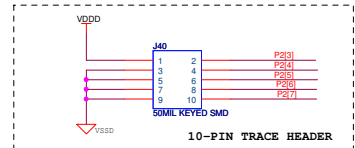
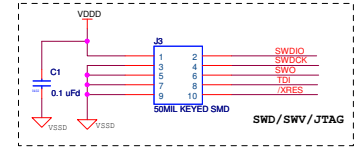
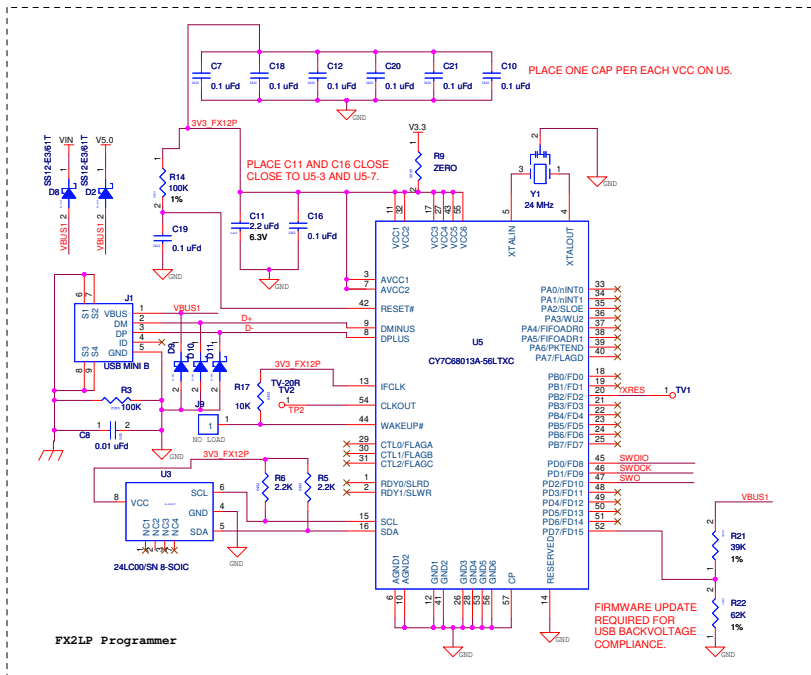
A. Appendix

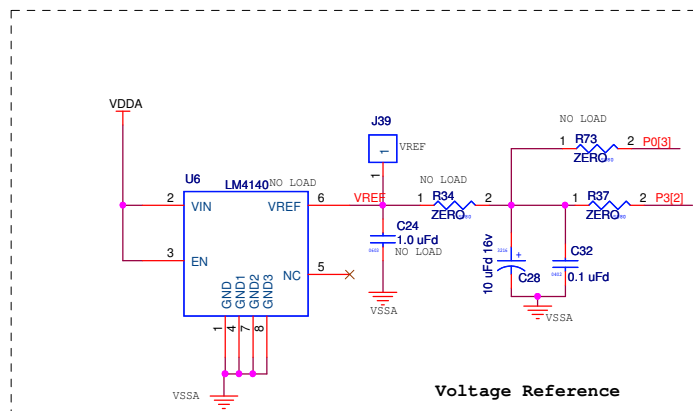
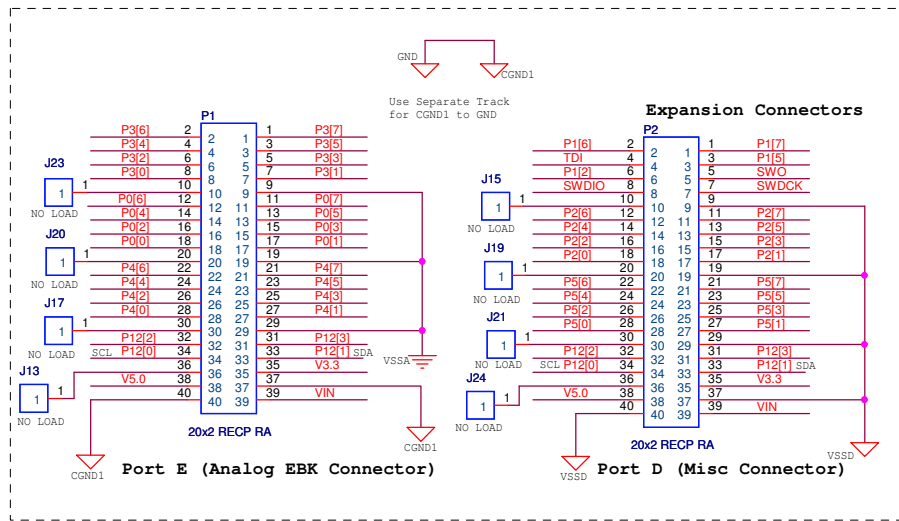


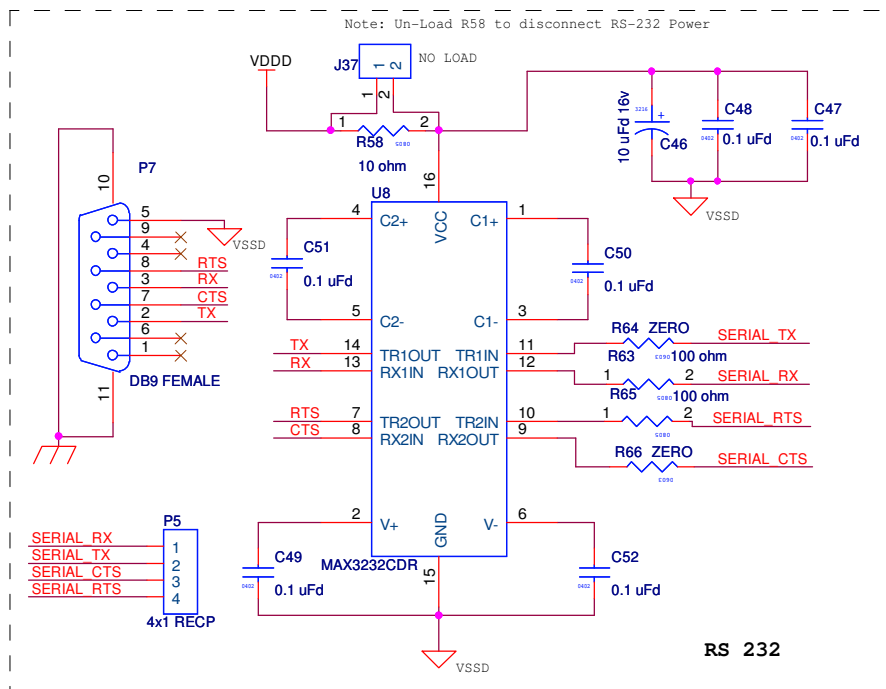
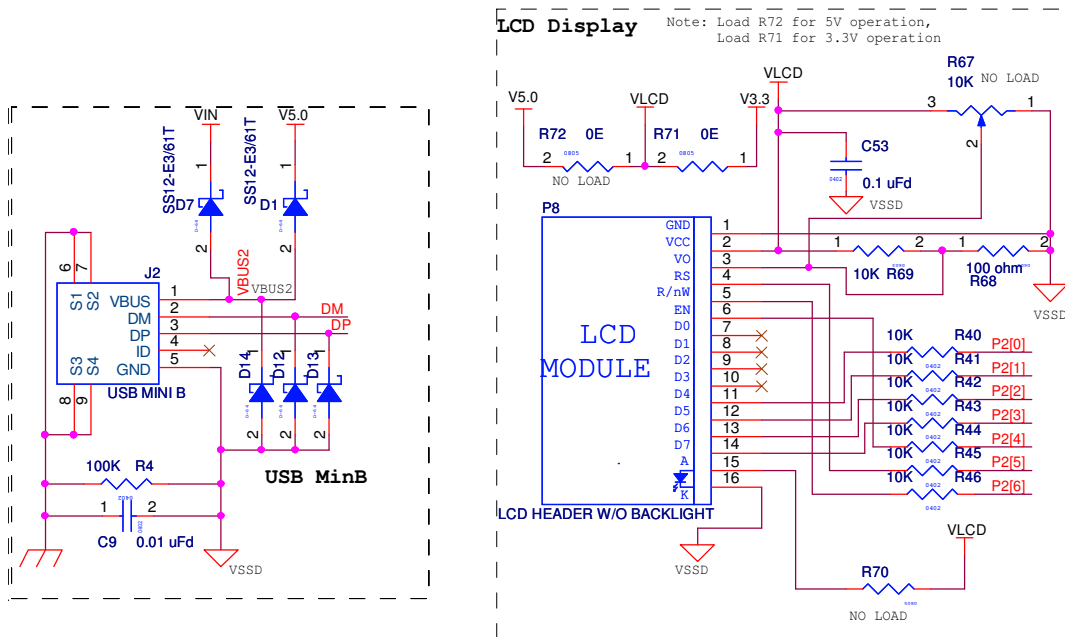
A.1 Schematic

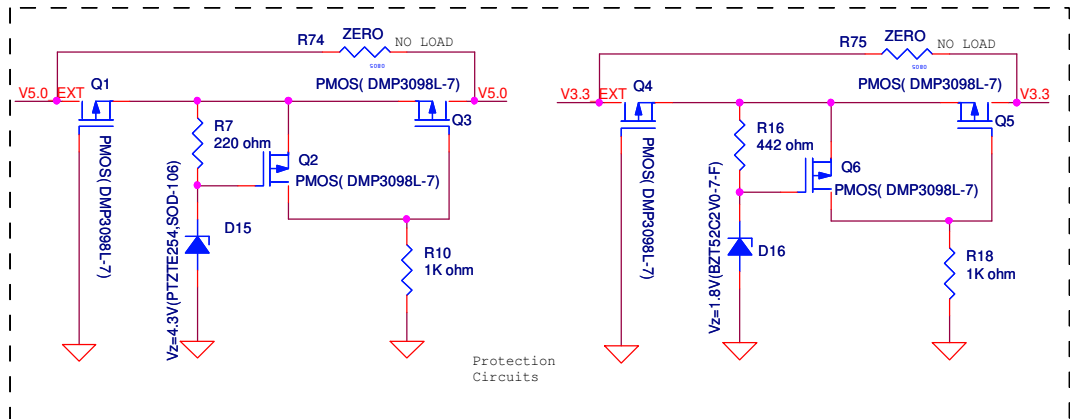






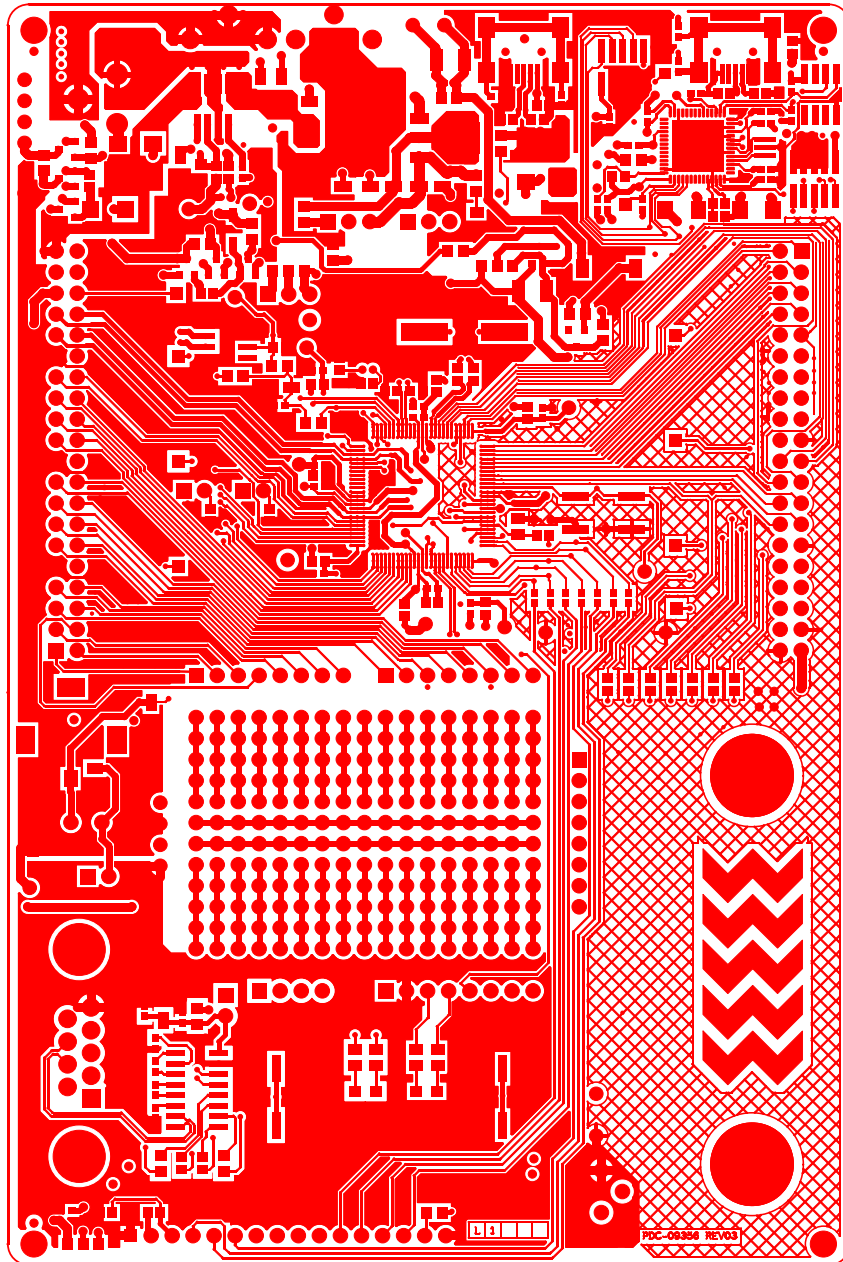




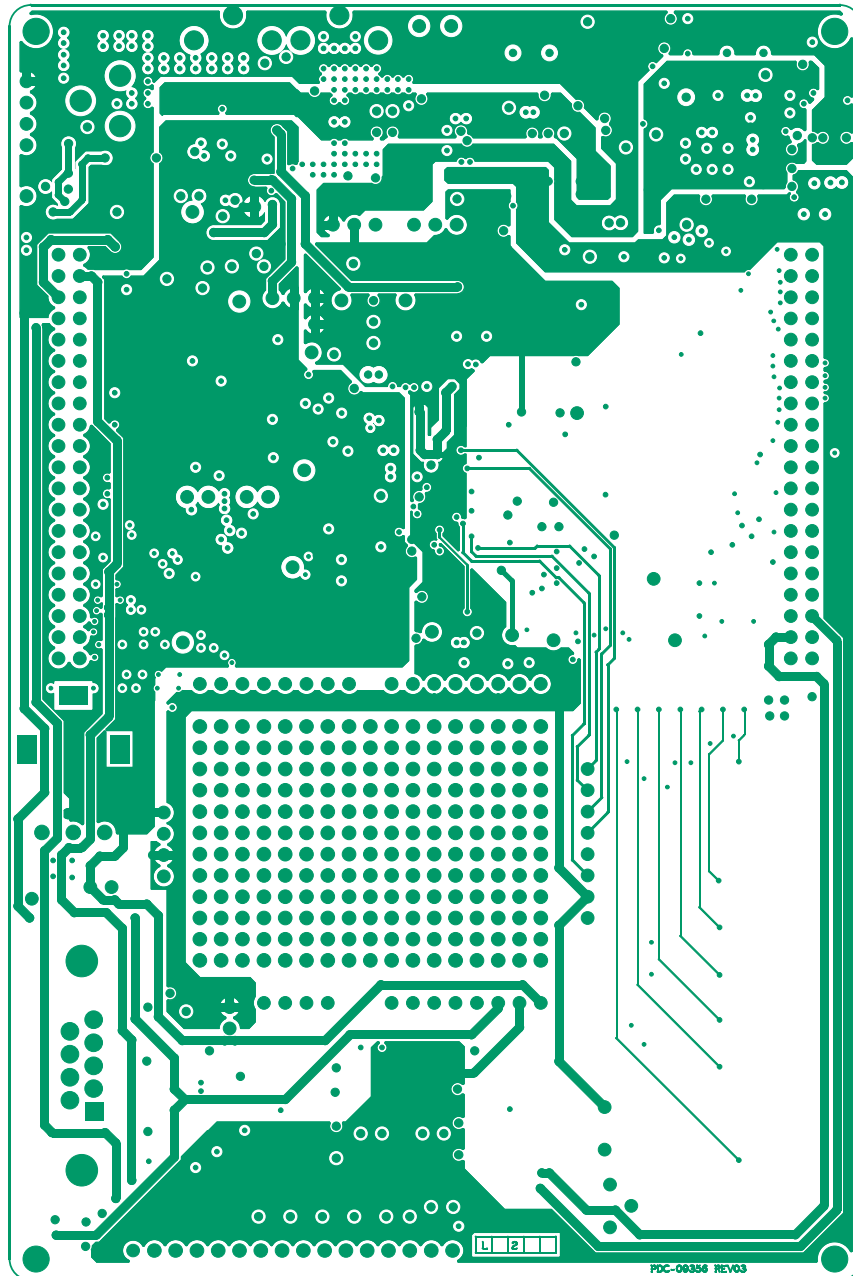


A.2 Board Layout

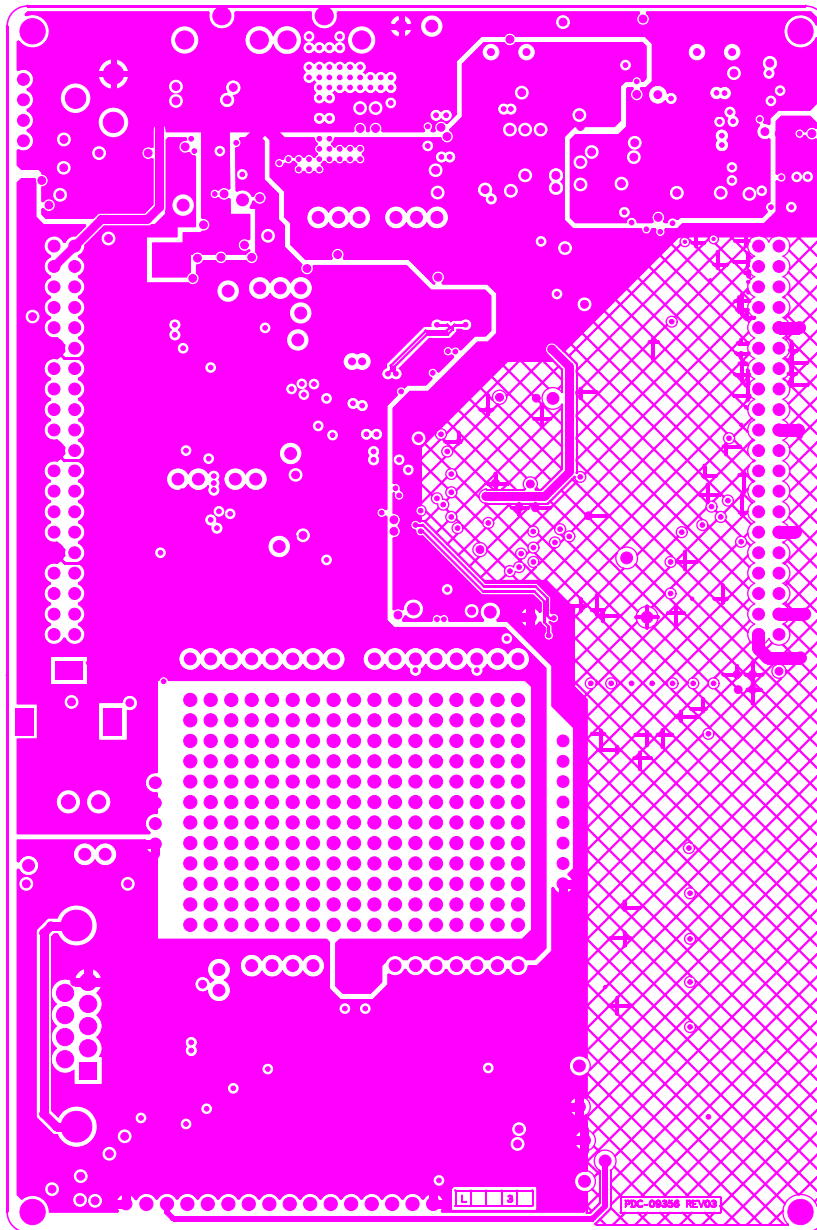
A.2.1 PDC-09356 Top



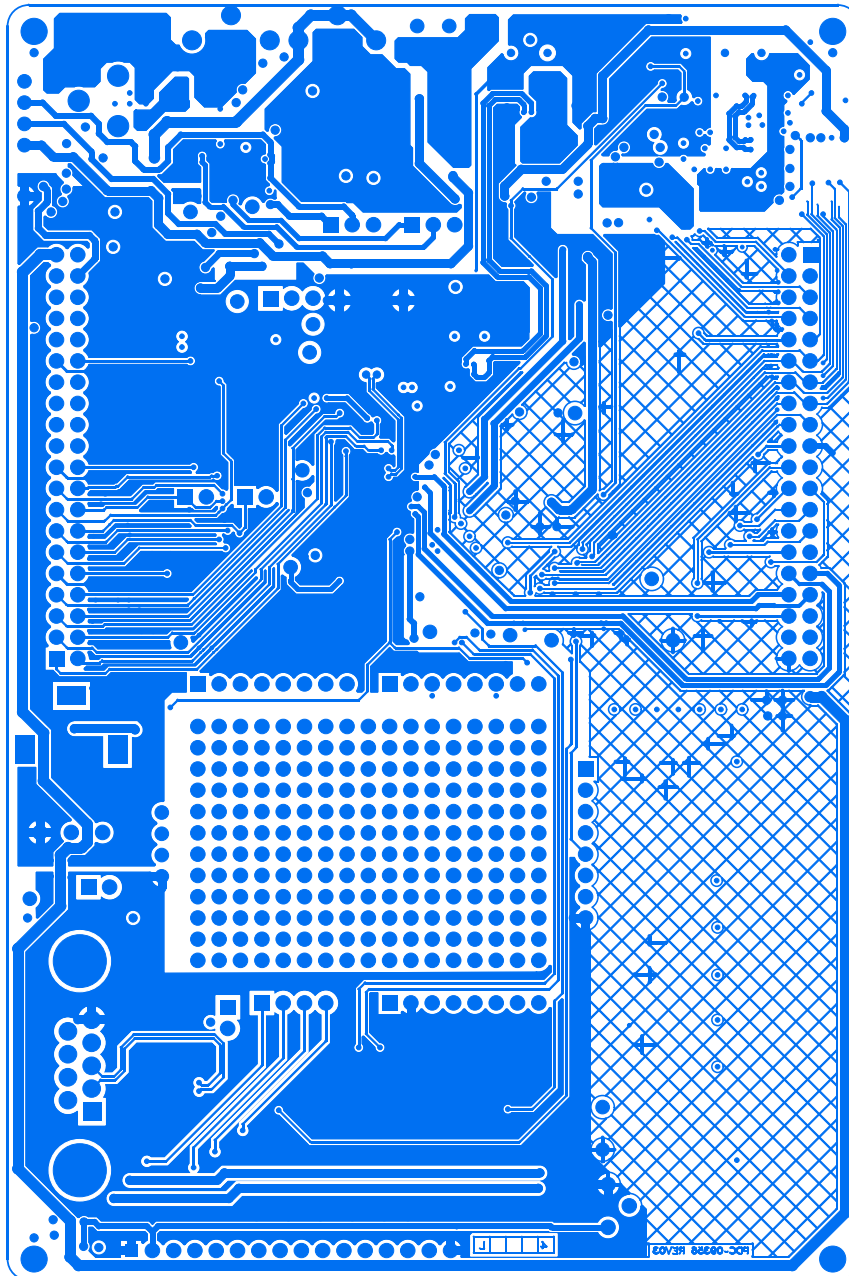
A.2.2 PDC-09356 Power



A.2.3 PDC-09356 Ground



A.2.4 PDC-09356 Bottom



A.3 Bill of Materials (BOM)

Item	Qty	Reference	Value	Description	Manufacturer	Manufacturer Part No.
				PCB	Cypress	PDC-09356
1	1	BH1	BAT 9V MALE	BATTERY HOLDER 9V Male PC MT	Keystone Electronics	593
2	1	BH2	BAT 9V FEMALE	BATTERY HOLDER 9V Female PC MT	Keystone Electronics	594
3	9	C2, C4, C5, C13, C14, C15, C28, C45, C46	10 uFd 16v	CAP 10UF 16V TANTALUM 10% 3216	AVX	TAJA106K016R
4	2	C6, C22	22 uFd	CAP CER 22UF 10V 10% X5R 1210	Kemet	C1210C226K8PACTU
5	29	C7, C10, C12, C16, C17, C18, C19, C20, C21, C26, C32, C33, C34, C35, C36, C38, C40, C41, C43, C47, C48, C49, C50, C51, C52, C53, C1, C3, C23	0.1 uFd	CAP .1UF 16V CERAMIC Y5V 0402	Panasonic - ECG	ECJ-0EF1C104Z
6	2	C8, C9	0.01 uFd	CAP 10000PF 16V CERAMIC 0402 SMD	Panasonic - ECG	ECJ-0EB1C103K
7	1	C11	2.2 uFd	CAP CER 2.2UF 6.3V 20% X5R 0402	Panasonic - ECG	ECJ-0EB0J225M
8	4	C29, C37, C42, C44	1.0 uFd	CAP CERAMIC 1.0UF 25V X5R 0603 10%	Taiyo Yuden	TMK107BJ105KA-T
9	2	C25, C27	22pF	CAP, CER, 22 pF, 50V, 5%, COG, 0603, SMD	Panasonic - ECG	ECJ-0EC1H220J
10	1	C39	2200 pFd	SMD/SMT 0805 2200pF 50volts C0G 5%	Murata	GRM2165C1H222JA01D
11	2	C54, C55	1.0 uFd	CAP CERAMIC 1.0UF 25V X5R 0603 10%	Taiyo Yuden	TMK107BJ105KA-T
12	6	D1, D2, D3, D4, D7, D8	SS12-E3/61T	DIODE SCHOTTKY 20V 1A SMA	Vishay/General Semiconductor	SS12-E3/61T
13	1	D5	LED Green	LED GREEN CLEAR 0805 SMD	Chicago Miniature	CMD17-21VGC/TR8
14	1	D6	ZHCS	DIODE SCHOTTKY 40V 1.0A SOT23-3	Zetex	ZHCS1000TA
15	6	D9, D10, D11, D12, D13, D14	ESD diode	SUPPRESSOR ESD 5VDC 0603 SMD	Bourns Inc.	CG0603MLC-05LE
16	1	D15	4.3V zener diode	DIODE ZENER 4.3V 1W SOD-106	Rohm Semiconductor	PTZTE254.3B
17	1	D16	2.0V Zener Diode	DIODE ZENER 2V 500MW SOD-123	Diodes Inc	BZT52C2V0-7-F
18	2	J1, J2	USB MINI B	CONN USB MINI B SMT RIGHT ANGLE	TYCO	1734035-2
19	2	J3, J40	50MIL KEYED SMD	CONN HEADER 10 PIN 50MIL KEYED SMD	Samtec	FTSH-105-01-L-DV-K

Item	Qty	Reference	Value	Description	Manufacturer	Manufacturer Part No.
20	1	J4	POWER JACK P-5	CONN JACK POWER 2.1mm PCB RA	CUI	PJ-102A
21	1	J50	Breadboard	BREADBOARD 17x5x2	3M	923273-I
22	5	TP1, J26, J27, J35, J28	BLACK TEST POINT	TEST POINT PC MINI .040"D Black	Keystone Electronics	5001
23	4	LED1, LED2, LED3, LED4	LED Red	LED RED CLEAR 0805 SMD	Rohm Semiconductor	SML-210LTT86
24	1	L1	22 uH	INDUCTOR SHIELD PWR 22UH 7032	TDK Corporation	SLF7032T-220MR96-2-PF
25	2	P1,P2	20x2 RECP RA	CONN FEMALE 40POS DL .100 R/A GOLD	Sullins Electronics Corp.	PPPC202LJBN-RC
26	1	P7	DB9 FEMALE	CONN DB9 FEMALE VERT PRESSFIT SLD	Norcomp Inc.	191-009-223R001
27	1	P8	LCD HEADER W/O BACKLIGHT	CONN RECEPT 16POS .100 VERT AU	Tyco Electronics	1-534237-4
28	4	P3, P4, P6, P9	RECP 8X1	CONN RECT 8POS .100 VERT	3M	929850-01-08-RA
29	6	Q1, Q2, Q3, Q4, Q5, Q6	P-MOS, 30V 3.8A SOT23 in Protection circuit	MOSFET P-CH 30V 3.8A SOT23-3	Diodes Inc	DMP3098L-7
30	1	R7	RES 220 OHM 1/10W 1% 0603 SMD	Panasonic - ECG	ERJ-3EKF2200V	YES
31	1	R16	RES 442 OHM 1/10W 1% 0603 SMD	Panasonic - ECG	ERJ-3EKF4420V	YES
32	2	R3, R4	100K	RES 100K OHM 1/16W 5% 0402 SMD	Panasonic - ECG	ERJ-2GEJ104X
33	6	R9, R23, R24, R26, R27, R71	ZERO	RES 0.0 OHM 1/10W 5% 0805 SMD	Panasonic-ECG	ERJ-6GEY0R00V
34	2	R5, R6	2.2K	RES 2.2K OHM 1/16W 5% 0402 SMD	Panasonic - ECG	ERJ-2GEJ222X
35	3	R11, R10, R18	1K	RES 1.0K OHM 1/8W 5% 0805 SMD	Panasonic - ECG	ERJ-6GEYJ102V
36	1	R12	3.16K	RES 3.16K OHM 1/10W .5% 0603 SMD	Yageo	RT0603DRD073K16L
37	1	R13	3.74K	RES 3.74K OHM 1/10W 1% 0603 SMD	Panasonic - ECG	ERJ-3EKF3741V
38	1	R14	100K	RES 100K OHM 1/10W 1% 0603 SMD	Yageo	RC0603FR-07100KL
39	5	R15, R59, R60, R61, R62	330 ohm	RES 330 OHM 1/10W 5% 0805 SMD	Panasonic - ECG	ERJ-6GEYJ331V
40	8	R17, R40, R41, R42, R43, R44, R45, R46	10K	RES 10K OHM 1/16W 5% 0402 SMD	Stackpole Electronics Inc	RMCF 1/16S 10K 5% R
41	13	R35, R36, R39, R47, R48, R49, R50, R51, R52, R53, R54, R64, R66	ZERO	RES ZERO OHM 1/16W 5% 0603 SMD	Panasonic - ECG	ERJ-3GEY0R00V

Item	Qty	Reference	Value	Description	Manufacturer	Manufacturer Part No.
42	2	R32, R33	22E	RES 22 OHM 1/16W 1% 0603 SMD	Panasonic - ECG	ERJ-3EKF22R0V
43	2	R63, R65	100 ohm	RES 100 OHM 1/8W 5% 0805 SMD	Rohm	MCR10EZHU101
44	1	R56	POT 10K	POT 10K OHM 1/8W CARB VERTICAL	CTS Electro-components	296UD103B1N
45	1	R58	10E	RES 10 OHM 1/8W 5% 0805 SMD	Stackpole Electronics Inc	RMCF 1/10 10 5% R
46	1	R68	100 ohm	RES 100 OHM 1/16W 5% 0603 SMD	Panasonic - ECG	ERJ-3GEYJ101V
47	1	R69	10K	RES 10K OHM 1/16W 5% 0603 SMD	Panasonic - ECG	ERJ-3GEYJ103V
48	3	SW1, SW2, SW3	SW PUSHBUTTON	LT SWITCH 6MM 160GF H=2.5MM SMD	Panasonic - ECG	EVQ-Q2P02W
49	1	U1	LT1763CS8	IC LDO REG LOW NOISE ADJ 8-SOIC	Linear Technology	LT1763CS8#PBF
50	1	U2	AP1117D50G	IC REG LDO 1.0A 5.0V TO-252	Diodes Inc	AP1117D50G-13
51	1	U3	24LC00/SN	IC EEPROM 128BIT 400KHZ 8SOIC	Microchip Technology	24LC00/SN
52	1	U4	LM1117MPX-3.3	IC REG 3.3V 800MA LDO SOT-223	National Semiconductor	LM1117IMP-3.3/NOPB
53	1	U5	CY7C68013A-56LTXC	IC, FX2 HIGH-SPEED USB PERIPHERAL CONTROLLER QFN56	Cypress Semiconductor	CY7C68013A-56LTXC
54	1	U7	CY8C5868AXI-LP035 TQFP100	PSoC 5 Mixed-Signal Array	Cypress Semiconductor	CY8C5868AXI-LP035
55	1	U8	MAX3232CDR	IC 3-5.5V LINE DRVR/RCVR 16-SOIC	Texas Instruments	MAX3232IDR
56	1	Y1	24 MHz	CER RESONATOR 24.0 MHz SMD	Murata	CSTCW24M0X53-R0
57	1	Y2	32.768KHz XTAL	CRYSTAL 32.768 KHZ CYL 12.5PF CFS308	Citizen America Corporation	CFS308-32.768KDZF-UB
58	1	Y3	24 MHz Crystal	CRYSTAL 24.000MHZ 20PF SMD	ECS Inc	ECS-240-20-5PX-TR
59	3	J8, J33, TP2	RED TEST POINT	TEST POINT PC MINI .040"D RED	Keystone Electronics	5000
60	1	R38	2.2K	RES 2.2KOHM 1/16W 2700PPM 5%0603	Panasonic - ECG	ERA-V27J222V
61	2	J10, J11	3p_jumper	CONN HEADER VERT SGL 3POS GOLD	3M	961103-6404-AR
62	3	J30, J43, J44	2p_jumper	CONN HEADER VERT SGL 2POS GOLD	3M	961102-6404-AR
63	1	NA	3.3V LCD Module 16POS w/16 pin header installed	3.3V LCD Module 16POS w/16 pin header installed	Lumex	LCM-S01602DTR/A-3
64	1	NA	16 pin header	CONN HEADER VERT SGL 16POS GOLD	3M	961116-6404-AR
65	1	R21	39K	RES 39.0K OHM 1/10W 1% 0603 SMD	Rohm Semiconductor	MCR03EZPFX3902

Item	Qty	Reference	Value	Description	Manufacturer	Manufacturer Part No.
66	1	R22	62K	RES 62.0K OHM 1/10W 1% 0603 SMD	Rohm Semiconductor	MCR03EZPFX6202
67	2	C30, C31	22pF	CAP, CER, 22 pF, 50V, 5%, COG, 0603, SMD	Panasonic - ECG	ECJ-1VC1H220J
68	1	P5	4x1 RECP	CONN RECEPT 4POS .100 VERT GOLD	3M	929850-01-04-RA
69	1	J31, J32, J29, J34	4x1 RECP	CONN RECEPT 4POS .100 VERT GOLD	3M	929850-01-04-RA
No Load Components						
70	1	C24	1.0 uFd	CAP CERAMIC 1.0UF 25V X5R 0603 10%	Taiyo Yuden	TMK107BJ105KA-T
71	11	J5, J6, J12, J14, J18, J22, J25, TP3, TP4, J16, J39	RED	TEST POINT PC MINI .040"D RED	Keystone Electronics	5000
72	2	J7, J36	BLACK	TEST POINT PC MINI .040"D Black	Keystone Electronics	5001
73	1	TP5	WHITE	TEST POINT PC MINI .040"D WHITE	Keystone Electronics	5002
74	1	R67	10K	POT 10K OHM 1/4" SQ CERM SL ST	Bourns Inc.	3362P-1-103LF
75	12	R30, R34, R57, R72, R25, R31, R70, R37, R29, R73, R74, R75	ZERO	RES 0.0 OHM 1/10W 5% 0805 SMD	Panasonic-ECG	ERJ-6GEY0R00V
76	1	R55	10K	TRIMPOT 10K OHM 4MM TOP ADJ SMD	Bourns Inc.	3214W-1-103E
77	2	R1, R28	ZERO	RES ZERO OHM 1/10W 5% 0603 SMD	Panasonic - ECG	ERJ-3GEY0R00V
78	1	U6	LM4140	IC REF PREC VOLT MICROPWR 8-SOIC	National Semiconductor	LM4140ACM-1.0/ NOPB
79	1	R8	1.5K	RES 1.5KOHM 1/10W 1500PPM 5%0805	Panasonic - ECG	ERA-S15J152V
80	1	R2	3K	RES 1/10W 3K OHM 0.1% 0805	Stackpole Electronics Inc	RNC 20 T9 3K 0.1% R
81	1	J38	3p_jumper	CONN HEADER VERT SGL 3POS GOLD	3M	961103-6404-AR
82	1	J37	2p_jumper	CONN HEADER VERT SGL 2POS GOLD	3M	961102-6404-AR
83	2	CSB1, CSB2	CapSense	CapSense Button	Cypress	
84	1	CSS1	CapSense Linear Slider 5 Seg	CapSense Slider	Cypress	
85	11	J9, J13, J15, J17, J19, J20, J21, J23, J24, J41, J42	PADS	PADS		
86	2	TV1, TV2	PADS	PADS		
Install On Bottom of PCB As Close To Corners As Possible						
87	5			BUMPER CLEAR .500X.23" SQUARE	Richco Plastic Co	RBS-3R

Item	Qty	Reference	Value	Description	Manufacturer	Manufacturer Part No.
Special Jumper Installation Instructions						
88	1	J30	Install jumper across pins 1 and 2	Rectangular Connectors MINI JUMPER GF 13.5 CLOSE TYPE BLACK	Kobiconn	151-8030-E
89	2	J10, J11	Install jumper across pins 1 and 2	Rectangular Connectors MINI JUMPER GF 13.5 CLOSE TYPE BLACK	Kobiconn	151-8030-E
External Assembly						
90	2		Install 3.3V label as per assembly spec	3.3V label		
91	2		4-40 X 5 +13 Brass Spacer Stud with Nut	Spacer and nut for RS232 Connector P7		

A.4 Pin Assignment Table

Port	Pin	Pin Name	Description
Port 0	71	P0[0]	Connected to pin 18 on port E
	72	P0[1]	Connected to pin 17 on port E
	73	P0[2]	1. Connected to pin 16 on port E 2. Connected to SAR bypass capacitor C54 that can be selected by shorting jumper J43
	74	P0[3]	Connected to two points: 1. Voltage reference chip* 2. Connected to pin 15 on port E
	76	P0[4]	1. Connected to pin 14 on port E 2. Connected to SAR bypass capacitor C55 that can be selected by shorting jumper J44
	77	P0[5]	Connected to pin 13 on port E
	78	P0[6]	Connected to pin 12 on port E
	79	P0[7]	Connected to pin 11 on port E
Port 1	20	P1[0]	Connected to three points: 1. Connected to pin 2 on programming header J3 2. Connected to pin 45 on U5 3. Connected to pin 8 (SWDIO) on port D
	21	P1[1]	Connected to three points: 1. Connected to pin 4 on programming header 2. Connected to pin 56 on U5 3. Connected to pin 7 (SWDCK) on port D
	22	P1[2]	Connected to pin 6 on port D
	23	P1[3]	Connected to three points: 1. Connected to pin 6 on programming header 2. Connected to pin 47 on U5 3. Connected to pin 5 (SWO) on port D
	24	P1[4]	Connected to two points: 1. Connected to pin 8 on programming header 2. Connected to pin 4 (TDI) on port D
	25	P1[5]	Connected to pin 3 on port D
	27	P1[6]	Connected to pin 2 on port D
	28	P1[7]	Connected to pin 1 on port D

Port	Pin	Pin Name	Description
Port 2	95	P2[0]	Connected to two points: 1. Connected to LCD module 2. Connected to pin 18 on port D
	96	P2[1]	Connected to two points: 1. Connected to LCD module 2. Connected to pin 17 on port D
	97	P2[2]	Connected to two points: 1. Connected to LCD module 2. Connected to pin 16 on port D
	98	P2[3]	Connected to three points: 1. Connected to pin 2 on trace header J40 2. Connected to LCD module 3. Connected to pin 15 on port D
	99	P2[4]	Connected to three points: 1. Connected to pin 4 on trace header J40 2. Connected to LCD module 3. Connected to pin 14 on port D
	1	P2[5]	Connected to three points: 1. Connected to pin 6 on trace header J40 2. Connected to LCD module 3. Connected to pin 13 on port D
	2	P2[6]	Connected to three points: 1. Connected to pin 8 on trace header J40 2. Connected to LCD module 3. Connected to pin 12 on port D
	3	P2[7]	Connected to three points: 1. Connected to pin 10 on trace header J40 2. Connected to LCD module 3. Connected to pin 11 on port D
Port 3	44	P3[0]	Connected to pin 8 on port E
	45	P3[1]	Connected to pin 7 on port E
	46	P3[2]	Connected to two points: 1. Voltage reference chip* 2. Connected to pin 6 on port E
	47	P3[3]	Connected to pin 5 on port E
	48	P3[4]	Connected to pin 4 on port E
	49	P3[5]	Connected to pin 3 on port E
	51	P3[6]	Connected to pin 2 on port E
	52	P3[7]	Connected to pin 1 on port E
Port 4	69	P4[0]	Connected to pin 28 on port E
	70	P4[1]	Connected to pin 27 on port E
	80	P4[2]	Connected to pin 26 on port E
	81	P4[3]	Connected to pin 25 on port E
	82	P4[4]	Connected to pin 24 on port E
	83	P4[5]	Connected to pin 23 on port E
	84	P4[6]	Connected to pin 22 on port E
	85	P4[7]	Connected to pin 21 on port E

Port	Pin	Pin Name	Description
Port 5	16	P5[0]	Connected to two points: 1. Connected to CapSense slider segment 2. Connected to pin 28 on port D
	17	P5[1]	Connected to two points: 1. Connected to CapSense slider segment 2. Connected to pin 27 on port D
	18	P5[2]	Connected to two points: 1. Connected to CapSense slider segment 2. Connected to pin 26 on port D
	19	P5[3]	Connected to two points: 1. Connected to CapSense slider segment 2. Connected to pin 25 on port D
	31	P5[4]	Connected to two points: 1. Connected to CapSense slider segment 2. Connected to pin 24 on port D
	32	P5[5]	Connected to two points: 1. Connected to CapSense button CSB1 2. Connected to pin 23 on port D
	33	P5[6]	Connected to two points: 1. Connected to CapSense button CSB2 2. Connected to pin 22 on port D
	34	P5[7]	Connected to pin 21 on port D
Port 6	89	P6[0]	Connected to pin 5 on P9
	90	P6[1]	Connected to SW2 push button
	91	P6[2]	Connected to LED3
	92	P6[3]	Connected to LED4
	6	P6[4]	Connected to CapSense Modulation Capacitor CMOD
	7	P6[5]	Connected to two points: 1. Connected to VR POT 2. Connected to pin 5 on P6
	8	P6[6]	Connected to pin 6 on P9
	9	P6[7]	Unused/No Connect
Port 12	53	P12[0]	Connected to pin 34 (SCL) on port D and port E
	54	P12[1]	Connected to pin 33 (SDA) on port D and port E
	67	P12[2]	Connected to pin 32 on port D and port E
	68	P12[3]	Connected to pin 31 on port D and port E
	4	P12[4]	Connected to pin 1 on P9
	5	P12[5]	Connected to pin 2 on P9
	29	P12[6]	Connected to pin 3 on P9
	30	P12[7]	Connected to pin 4 on P9

Port	Pin	Pin Name	Description
Port 15	42	P15[0]	Connected to 24-MHz crystal
	43	P15[1]	Connected to 24-MHz crystal
	55	P15[2]	Connected to 32-kHz crystal
	56	P15[3]	Connected to 32-kHz crystal
	93	P15[4]	Connected to Rbleed resistor
	94	P15[5]	Connected to SW3 push button
	35	P15[6]	Connected to USB D+
	36	P15[7]	Connected to USB D-
Other pins	13	Vbat	Connected to Vbat
	12	Vboost	Connected to Vboost
	63	VCCa	Connected to VCCa
	39	VCCd	Connected to VCCd
	86	VCCd	Connected to VCCd
	65	VDDa	Connected to VDDa
	37	VDDd	Connected to VDDd
	88	VDDd	Connected to VDDd
	75	VDDio0	Connected to VDDio0
	26	VDDio1	Connected to VDDio1
	100	VDDio2	Connected to VDDio2
	50	VDDio3	Connected to VDDio3
	64	VSSa	Connected to GND
	10	VSSb	Connected to GND
	14	VSSd	Connected to GND
	38	VSSd	Connected to GND
	66	VSSd	Connected to GND
	87	VSSd	Connected to GND
	15	XRES	Connected to three points: 1. Connected to pin 10 on J3 2. Connected to SW1 3. Connected to pin 20 on U5
	11	Ind	Connected to inductor
	40	NC1	Unused/No Connect
	41	NC2	Unused/No Connect
	57	NC3	Unused/No Connect
	58	NC4	Unused/No Connect
59	NC5	Unused/No Connect	
60	NC6	Unused/No Connect	
61	NC7	Unused/No Connect	
62	NC8	Unused/No Connect	

Note* To enable voltage reference, populate the resistors R34, R37, R73, and low dropout voltage reference IC LM4140. See the [“Bill of Materials \(BOM\)” on page 51](#) for component details.

Revision History



Document Revision History

Document Title: CY8CKIT-050 PSoC® 5LP Development Kit Guide				
Document Number: 001-65816				
Revision	ECN#	Issue Date	Origin of Change	Description of Change
**	3184691	03/01/2011	PVKV	Initial version of kit guide
*A	3243345	04/28/2011	RKAD	Updated Appendix chapter on page 41 : Updated "Schematic" on page 41: Updated figures.
*B	3465448	12/15/2011	RKAD	Updated Hardware chapter on page 15 : Updated "Functional Description" on page 16: Updated "Power Supply" on page 16: Added sections 4.2.1.4 and 4.2.1.5. Updated Appendix chapter on page 41 : Updated "Bill of Materials (BOM)" on page 51: Updated details. Added "Pin Assignment Table" on page 56. Content updates throughout the document
*C	3617957	05/15/2012	SASH	Updated Introduction chapter on page 5 : Updated "Additional Learning Resources" on page 6: Updated description.
*D	3649761	06/18/2012	SASH	Updated Getting Started chapter on page 9 : Updated "DVD Installation" on page 9: Updated description and figures.
*E	3807285	11/09/2012	SASH	Updated images and content.
*F	4069046	07/12/2013	SASH	Updated Hardware chapter on page 15 : Updated "Functional Description" on page 16: Updated "Power Supply" on page 16: Updated "Power Supply Jumper Settings" on page 17: Updated description.

Document Title: CY8CKIT-050 PSoC® 5LP Development Kit Guide				
Document Number: 001-65816				
Revision	ECN#	Issue Date	Origin of Change	Description of Change
*G	4112628	08/22/2013	SASH	<p>Updated Introduction chapter on page 5: Updated "Additional Learning Resources" on page 6: Updated "Engineers Looking for More" on page 6: Updated description. Updated "More Code Examples" on page 6: Updated Figure 1-1. Updated Figure 1-2.</p> <p>Updated Getting Started chapter on page 9: Updated "DVD Installation" on page 9: Updated Figure 2-1. Updated "Install Software" on page 10: Updated description.</p> <p>Updated Code Examples chapter on page 31: Updated "Project: VoltageDisplay_DelSigADC" on page 33: Updated "DelSig ADC Configuration" on page 34: Updated Figure 5-4. Updated Figure 5-5. Updated "Project: IntensityLED" on page 36: Updated "Verify Output" on page 36: Updated description.</p>
*H	4422530	06/28/2014	VRNK	<p>Updated Introduction chapter on page 5: Updated "Kit Contents" on page 5: Updated description.</p> <p>Updated Hardware chapter on page 15: Updated "System Block Diagram" on page 15: Updated Figure 4-1. Updated "Functional Description" on page 16: Updated "PSoC 5LP Development Kit Expansion Ports" on page 24: Updated "Port E" on page 26: Updated Figure 4-11.</p> <p>Updated Code Examples chapter on page 31: Updated "Project: VoltageDisplay_SAR_ADC" on page 32: Updated "Verify Output" on page 33: Updated Figure 5-3. Updated "Project: VoltageDisplay_DelSigADC" on page 33: Updated "Verify Output" on page 35: Updated Figure 5-6. Updated "Project: CapSense" on page 38: Updated "Verify Output" on page 38: Updated Figure 5-10. Updated Figure 5-11. Updated "Project: ADC_DAC" on page 39: Updated "Verify Output" on page 39: Updated Figure 5-12.</p> <p>Updated Appendix chapter on page 41: Updated "Bill of Materials (BOM)" on page 51: Updated details (Removed item "J43, J44" and its details from the list).</p>

Document Title: CY8CKIT-050 PSoC® 5LP Development Kit Guide				
Document Number: 001-65816				
Revision	ECN#	Issue Date	Origin of Change	Description of Change
*I	4630901	01/19/2015	NIDH	Updated Hardware chapter on page 15: Updated "System Block Diagram" on page 15: Updated Figure 4-1 . Updated "Functional Description" on page 16: Updated "Power Supply" on page 16: Updated "Power Supply Jumper Settings" on page 17: Updated description. Updated "Programming Interface" on page 19: Updated "Onboard Programming Interface" on page 20: Updated description.
*J	6118442	04/02/2018	RKAD	Updated to new template. Completing Sunset Review.