



RSF50 Series

Compact Internal Fitting Vertical



- Compact design
- Available in Nylon, Polypropylene, PPS & PVDF
- 25VA & 100VA versions
- Many variants are UL recognised components File No. E171218
- WRAS approved versions
- 1/8" NPT and M12 thread options



Technical Specification	RSF53	RSF54	RSF58	RSF56	RSF57
Material	Nylon	Polypropylene WRAS approved	Polypropylene UL approved	Polyphenylene Sulphide (PPS)	Polyvinylidene Fluoride (PVDF)
Colour	Black	Opaque	White	Grey	Green
Temp. Range °C	-20 / +75	-20 / +100	-20 / +100	-10 / +120 *	-10 / +105
°F	-4 / +167	-4 / +212	-4 / +212	+14 / +248 *	-14 / +221
Min. Fluid SG	0.8	0.65	0.65	0.85	0.85
Must close level (SG=1)	11.5mm	15mm	15mm	9.5mm	9.5mm
Must open level (SG=1)	22.5mm	26mm	26mm	20.5mm	20.5mm

* Maximum temperature requires ETFE cable to be specified, otherwise +105°C

Electrical Specification	25W (Y code)	100W (H code)
Contact Form	N/O (N/C)	N/O (N/C)
Switching Power Max	VA	25
Switching Voltage AC Max	V	240
Switching Voltage DC Max	V	120
Switching Current Max	A	0.6

All ratings are for resistive load only.

RSF50 series are compact vertically mounted devices with a single switch point. Mounting is either from the top or bottom of a tank from the inside, so requires access to the inside of the tank.

Typical applications include vending machines, printing systems and chemical dosing equipment.

These can be manufactured in a variety of plastics, with a choice of gasket materials, to suit most commonly used liquids.

The switch action may be reversed by removing the float, inverting it, then refitting to the stem.

Available with M12 x 1.75 or 1/8"NPT mounting threads.

Standard Parts	Material	Temp Range	Max Power	Mounting Thread	Leadouts	Gasket	Approvals
RSF53H100RC	Nylon	-20°C to +75°C	100VA	M12	100cm PVC 16/0.2	Nitrile	WRAS
RSF53H100R1/8	Nylon	-20°C to +75°C	100VA	1/8" NPT	100cm PVC 16/0.2	N/A	WRAS
RSF53Y100RC	Nylon	-20°C to +75°C	25VA	M12	100cm PVC 16/0.2	Nitrile	WRAS
RSF53Y100R1/8	Nylon	-20°C to +75°C	25VA	1/8" NPT	100cm PVC 16/0.2	N/A	WRAS
RSF54H100RC	PP	-20°C to +100°C	100VA	M12	100cm PVC 16/0.2	Nitrile	WRAS
RSF54H100R1/8	PP	-20°C to +100°C	100VA	1/8" NPT	100cm PVC 16/0.2	N/A	WRAS
RSF54Y100RC	PP	-20°C to +100°C	25VA	M12	100cm PVC 16/0.2	Nitrile	WRAS
RSF54Y100R1/8	PP	-20°C to +100°C	25VA	1/8" NPT	100cm PVC 16/0.2	N/A	WRAS
RSF56H050TB	PPS	-10°C to +120°C	100VA	M12	50cm ETFE 19/0.2	Viton	UL
RSF56H100RC	PPS	-10°C to +105°C	100VA	M12	100cm PVC 16/0.2	Nitrile	WRAS & UL
RSF56H100R1/8	PPS	-10°C to +105°C	100VA	1/8"NPT	100cm PVC 16/0.2	N/A	WRAS & UL
RSF56Y050TB	PPS	-10°C to +120°C	25VA	M12	50cm ETFE 19/0.2	Viton	UL
RSD56Y050T1/8	PPS	-10°C to +120°C	25VA	1/8"NPT	50cm ETFE 19/0.2	N/A	WRAS & UL
RSF56Y100TB	PPS	-10°C to +120°C	25VA	M12	100cm ETFE 19/0.2	Viton	UL
RSF56Y100RC	PPS	-10°C to +105°C	25VA	M12	100cm PVC 16/0.2	Nitrile	WRAS & UL
RSF56Y100R1/8	PPS	-10°C to +105°C	25VA	1/8"NPT	100cm PVC 16/0.2	N/A	WRAS & UL
RSF57H100GC	PVDF	-10°C to +105°C	100VA	M12	100cm PTFE7/0.2	Nitrile	UL*
RSF57H100G1/8	PVDF	-10°C to +105°C	100VA	1/8" NPT	100cm PTFE7/0.2	N/A	UL*
RSF57Y100GC	PVDF	-10°C to +105°C	25VA	M12	100cm PTFE7/0.2	Nitrile	UL*
RSF57Y100G1/8	PVDF	-10°C to +105°C	25VA	1/8" NPT	100cm PTFE7/0.2	N/A	UL*
RSF57H100GB	PVDF	-10°C to +105°C	100VA	M12	100cm PTFE7/0.2	Viton	UL*
RSF57Y100GB	PVDF	-10°C to +105°C	25VA	M12	100cm PTFE7/0.2	Viton	UL*
RSF58H100RC	PP (UL)	-20°C to +100°C	100VA	M12	100cm PVC 16/0.2	Nitrile	UL
RSF58H100R1/8	PP(UL)	-20°C to +100°C	100VA	1/8"NPT	100cm PVC 16/0.2	N/A	UL
RSF58Y100RC	PP (UL)	-20°C to +100°C	25VA	M12	100cm PVC 16/0.2	Nitrile	UL
RSF58Y100R1/8	PP(UL)	-20°C to +100°C	25VA	1/8"NPT	100cm PVC 16/0.2	N/A	UL

Custom versions can be made for particular applications. Please contact Cynergy3 with your requirements. * UL approval pending

Cynergy3 Components Ltd.
7 Cobham Road
Ferndown Industrial Estate
Wimborne, Dorset BH21 7PE
Telephone +44 (0) 1202 897969
Email:sales@cynergy3.com

ISO9001 CERTIFIED

RSF50 2016

www.cynergy3.com

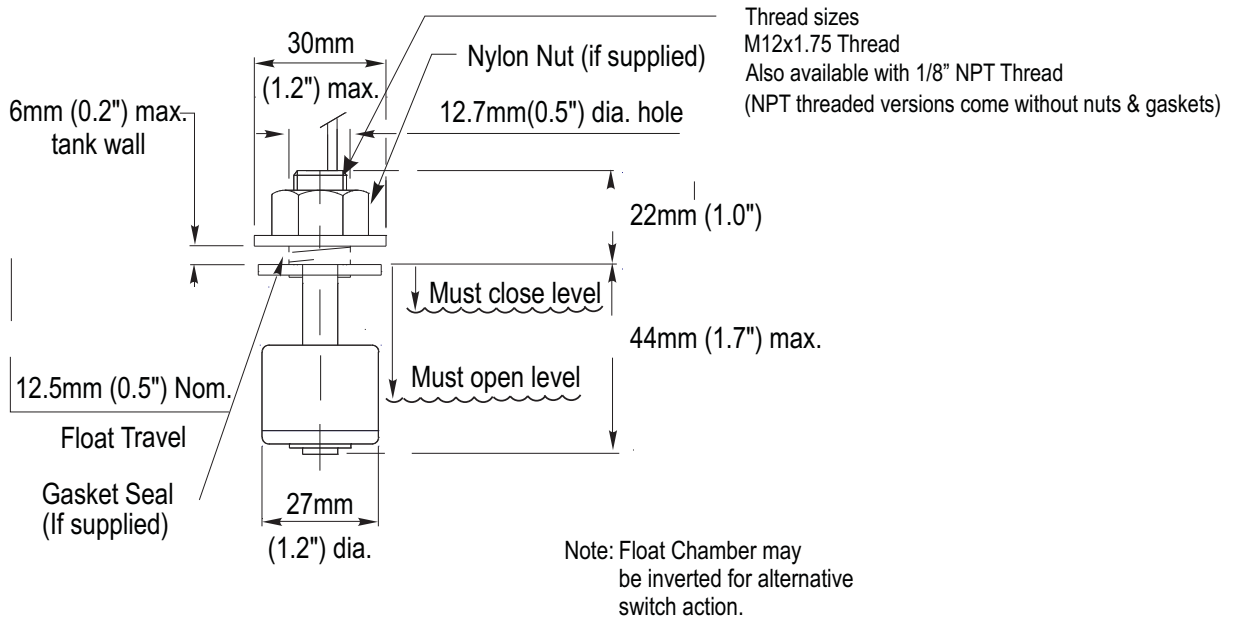


RSF50 Series

Compact Internal Fitting Vertical

Mechanical Dimensions

Dimensions are in millimeters (inches)



Cynergy3 Components Ltd.
7 Cobham Road
Ferndown Industrial Estate
Wimborne, Dorset BH21 7PE
telephone +44 (0) 1202 897969
Email:sales@cynergy3.com

ISO9001 CERTIFIED

www.cynergy3.com