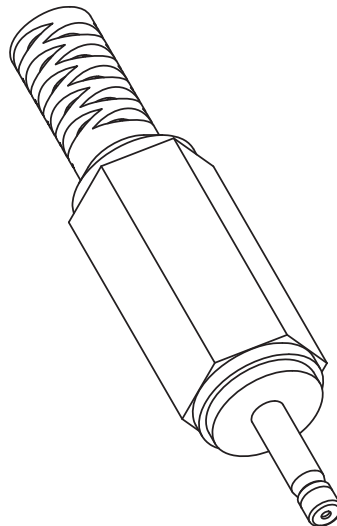
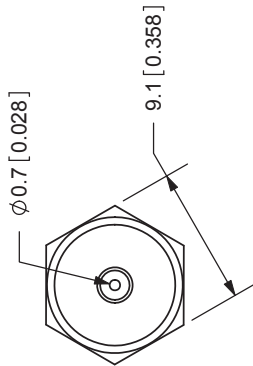
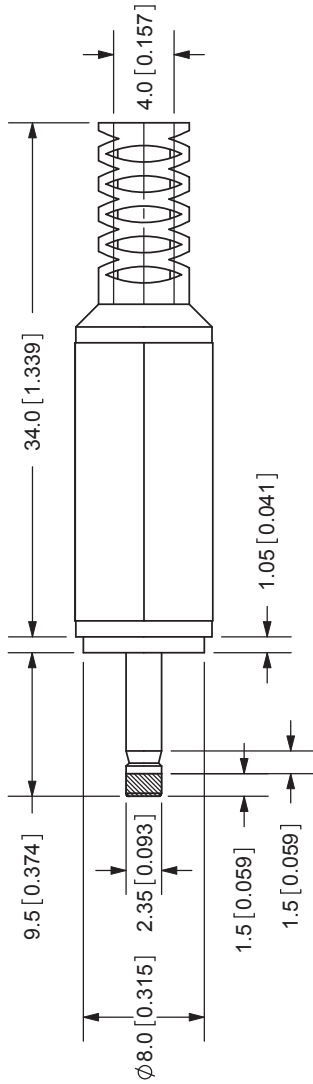


REV.	DESCRIPTION	DATE
A	NEW DRAWING	5/15/2006



TOLERANCE:
 X.X ±0.2mm
 X.XX ±0.1mm
 X.XXX ±0.05mm



CUI INC

20050 SW 112th Ave.
 Tualatin, OR 97062
 Phone: 503-612-2300
 800-275-4899
 Fax: 503-612-2383
 Website: www.cui.com

SPECIFICATIONS:
 RATING: 16V DC @ 3A
 OPERATING TEMP: 0° ~ +40°C

	MATERIAL	PLATING
COVER	PVC	Black Color
PIN	Phosphor Bronze	Nickel
BARREL	Brass	Nickel
TERMINALS	Brass	Nickel
TIP INSULATOR	POM	Yellow Color

TITLE: DC POWER PLUG	REV: A
PART NO: PP-012	UNITS: MM [INCHES]
DRAWN BY: ZRJ	APPROVED BY:
	SCALE: 2:1

PC FILENAME: PP-012

COPYRIGHT 2007 BY CUI INC.