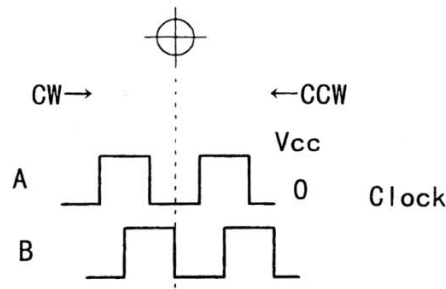
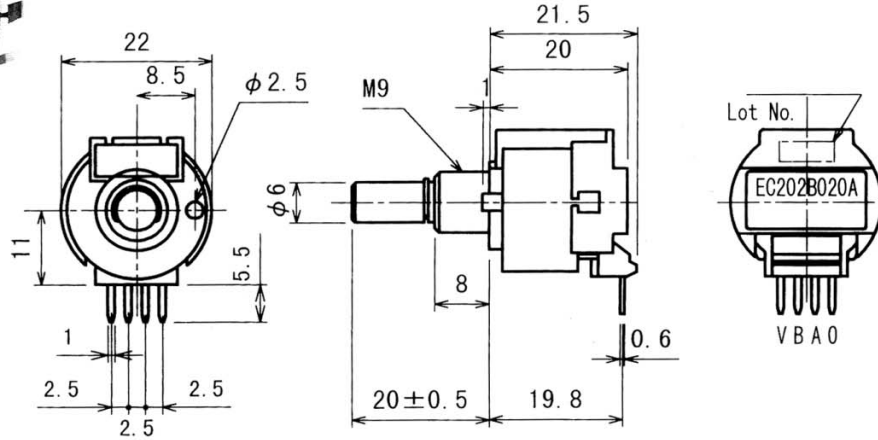




9615 SW Allen, Suite 103  
 Beaverton, OR 97005  
 Phone: (503) 643-4899  
 800-275-4899  
 Fax: (503) 372-1266  
 Website: www.cui.com



Output wave

Detent position

● Specifications

|                             |                |                    |                |
|-----------------------------|----------------|--------------------|----------------|
| Supply Voltage              | DC5V $\pm$ 5%  | Resolution         | 20P/R          |
| Supply Current              | 30mA Max.      | Frequency Response | 100Hz          |
| Output                      | Incremental    | Rotational Life    | 2,000,000      |
| Phase Difference            | 90 $\pm$ 45°   | Operational Torque | 40 $\pm$ 20gcm |
| Output Wave                 | Rectangle Wave | Click              | With Click     |
| Operating Temperature Range | 0 ~ +60°C      | Weight (Approx.)   | 28g            |
| Storage Temperature Range   | -20 ~ +80°C    |                    |                |

|            |            |          |        |
|------------|------------|----------|--------|
| PART NO.   | EC202B020A | UNITS:   | mm     |
| TOLERANCE: | $\pm 0.5$  | PAGE NO: | 1 of 1 |