

MODEL: CMS-25145-158SP | **DESCRIPTION:** SPEAKER**FEATURES**

- 8 ohm rated impedance
- 1.5 W rated power
- 700 Hz resonance frequency

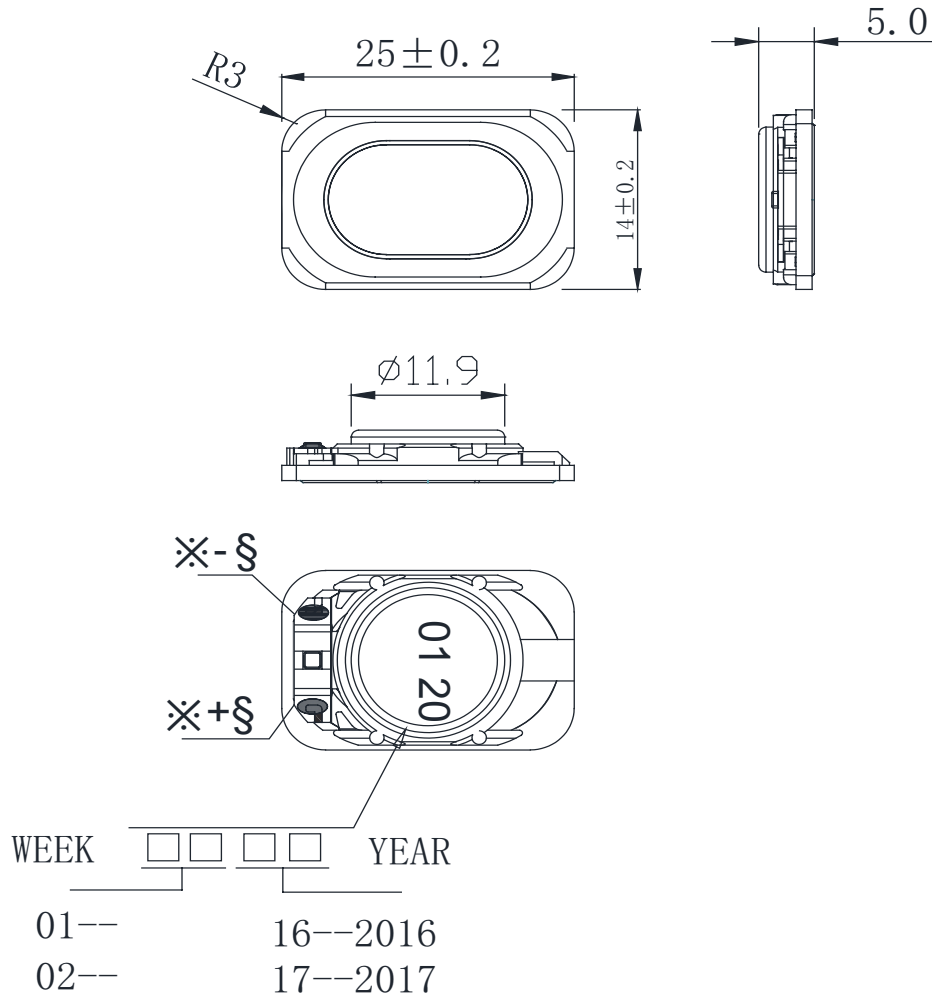
**SPECIFICATIONS**

parameter	conditions/description	min	typ	max	units
input power	max power: IEC-60268-5, filter 60 seconds on, 120 seconds off, 10 cycles (room temp)		1.5	1.8	W
impedance	at 2.5 kHz, 1.0 V	6.8	8	9.2	Ω
resonant frequency (Fo)	at 1.0 V	560	700	840	Hz
frequency response		Fo		10,000	Hz
sound pressure level	at 1.5 W, 10 cm, avg at 1.0, 2.0, 2.5, 3.0 kHz	90	93	96	dB
distortion	at 1.0 kHz, rated power, 10 cm			10	%
buzz, rattle, etc.	must be normal at sine wave, frequency range			3.46	V
polarity	cone moves forward w/ positive dc current to "+" terminal				
dimensions	25.0 x 14.0 x 5.0				mm
magnet	Nd-Fe-B				
frame material	ABS				
cone material	foam				
terminal	solder pads				
weight			2.2		g
operating temperature		-20		60	$^{\circ}\text{C}$
storage temperature		-25		65	$^{\circ}\text{C}$
hand soldering	for maximum 3 seconds	370	380	390	$^{\circ}\text{C}$
RoHS	yes				

Notes: 1. All specifications measured at 5~35 $^{\circ}\text{C}$, humidity at 45~85%, under 86~106 kPa pressure, unless otherwise noted.

MECHANICAL DRAWING

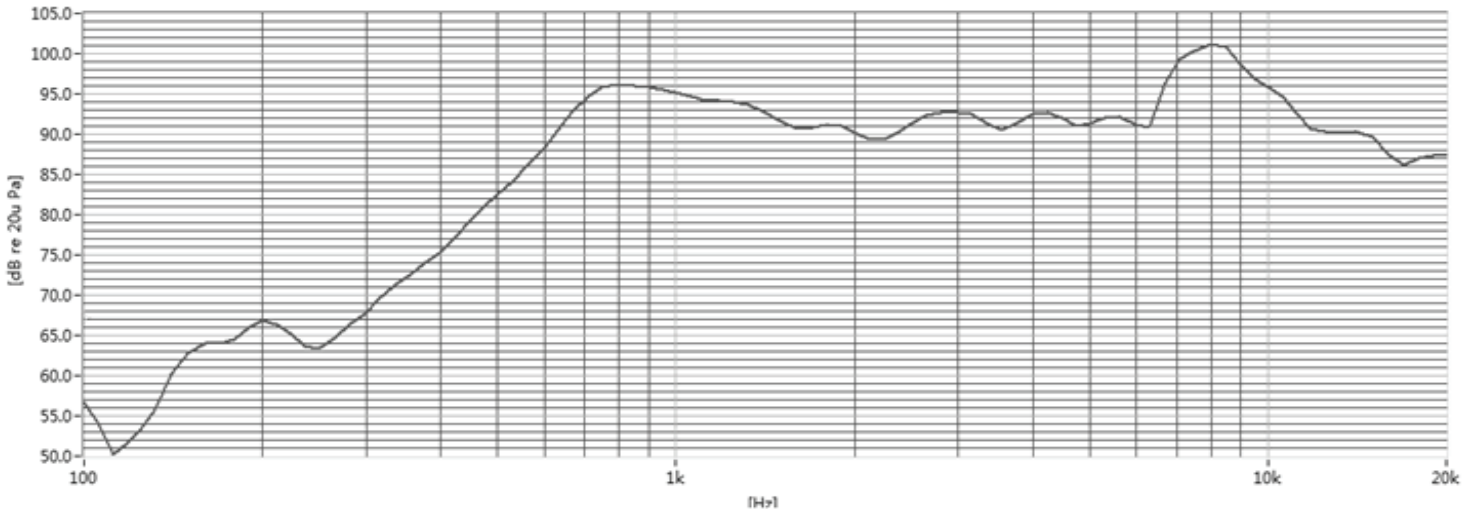
units: mm
tolerance: ± 0.2 mm



RESPONSE CURVES

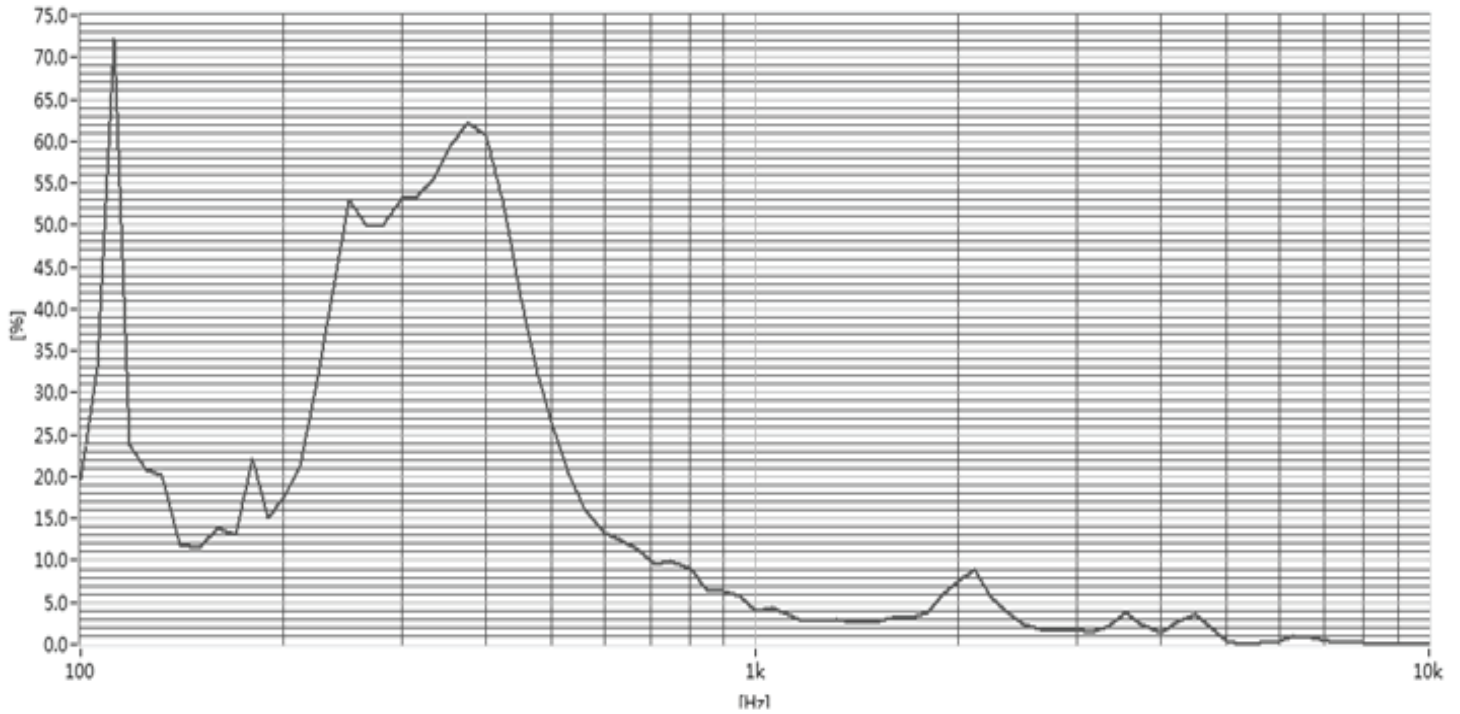
Frequency Response Curve

Test Conditions: 1.5 W / 10 cm



Total Harmonic Distortion Curve

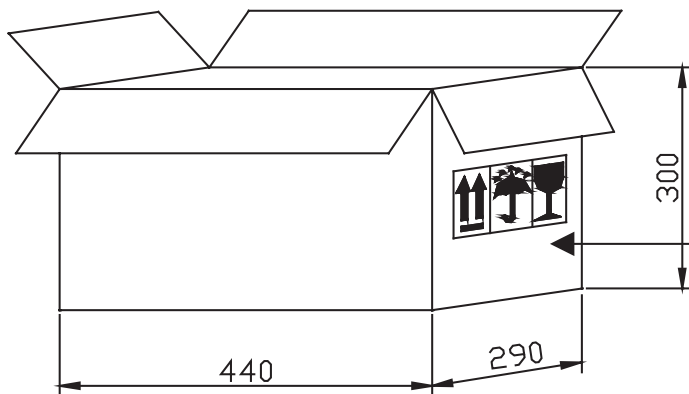
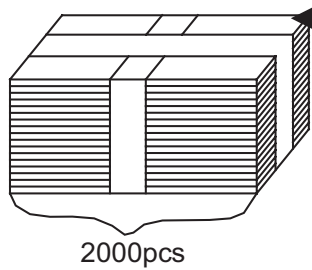
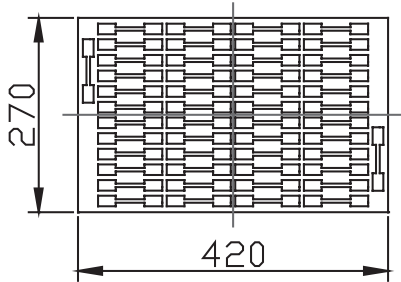
Test Conditions: 1.5 W / 10 cm



PACKAGING

units: mm

Tray Size: 420 x 270 x 13 mm
 Tray QTY: 100 pcs per tray
 Carton Size: 440 x 290 x 300 mm
 Carton QTY: 2,000 pcs per carton



Lot No.	XXXXXXXXXX
Part No.	CUI Inv#. CUI Part#.
Quantity.	XXXX Pcs
Date:	DD MM YY
MADE IN CHINA	
CUI DEVICES	

RoHs Compliant

REVISION HISTORY

rev.	description	date
1.0	initial release	06/10/2020

The revision history provided is for informational purposes only and is believed to be accurate.

CUI DEVICES

CUI Devices offers a one (1) year limited warranty. Complete warranty information is listed on our website.

CUI Devices reserves the right to make changes to the product at any time without notice. Information provided by CUI Devices is believed to be accurate and reliable. However, no responsibility is assumed by CUI Devices for its use, nor for any infringements of patents or other rights of third parties which may result from its use.

CUI Devices products are not authorized or warranted for use as critical components in equipment that requires an extremely high level of reliability. A critical component is any component of a life support device or system whose failure to perform can be reasonably expected to cause the failure of the life support device or system, or to affect its safety or effectiveness.

cuidevices.com