

MODEL: CBLT-UA-UC-1 | **DESCRIPTION:** USB CABLE**FEATURES**

- USB 3.1 Gen 1
- type A male to type C male
- 1 meter
- TPE jacket
- halogen free

**SPECIFICATIONS**

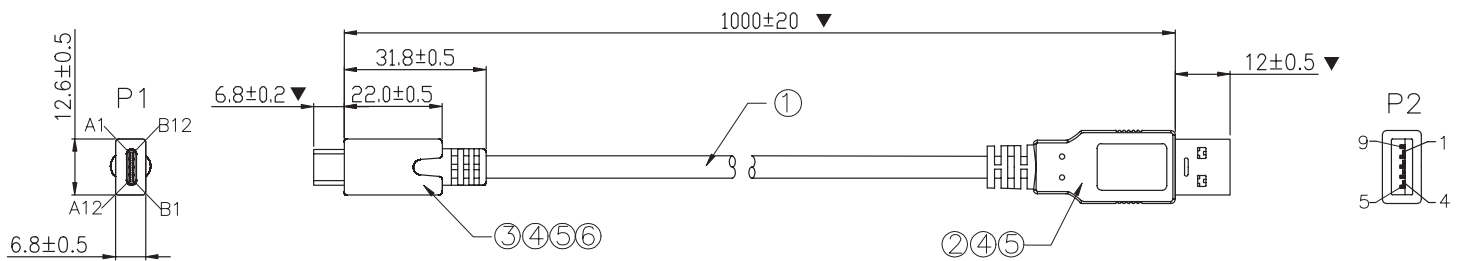
parameter	conditions/description	min	typ	max	units
rated voltage			20		Vdc
rated current				3	A
conductor resistance				5	Ω
insulation resistance	at 300 Vdc / 10 ms	10			M Ω
operating temperature		-20		80	$^{\circ}$ C
storage temperature		-25		80	$^{\circ}$ C
flammability rating	UL94V-0				
RoHS	yes				

MECHANICAL DRAWING

units: mm
 tolerance:
 X.X ±0.2 mm
 X.XX ±0.15 mm
 unless otherwise noted

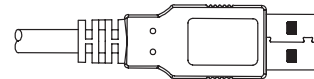
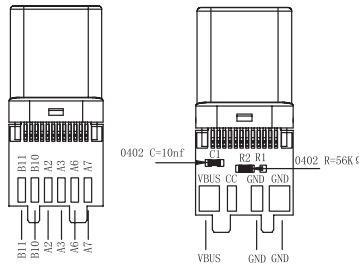
critical dimension: ▼

ITEM	DESCRIPTION	MATERIAL	PLATING/COLOR
1	cable	USB 3.1 Gen 1 OD: 4.2 mm, TPE	black
2	connector 2	USB 3.1 Gen 1 Type A	shell: nickel term.: gold
3	connector 1	USB 3.1 Gen 1 Type C	
4	inner mold	LD-PE	black
5	over mold	TPE	black
6	wire holder	3.1 wire holder OD: 0.8 mm	



WIRING DIAGRAM

	P1		P2	
	Pin	Signal Name	Pin	Signal Name
C1 (10nF 0402)	A1,B1,A12,B12	GND	4	GND
R1 (56K 0402)	A4,B4,A9,B9	VBUS	7	GND_Drain
	A5	CC	1	VBUS
	B5	VCONN		
	A6	Dp1	3	D+
	A7	Dn1	2	D-
	A2	SSTXp1	6	StdA_SSRX+
	A3	SSTXn1	5	StdA_SSRX-
	B11	SSRXp1	9	StdA_SSTX+
	B10	SSRXn1	8	StdA_SSTX-
	SHELL	SHIELD	SHELL	SHIELD

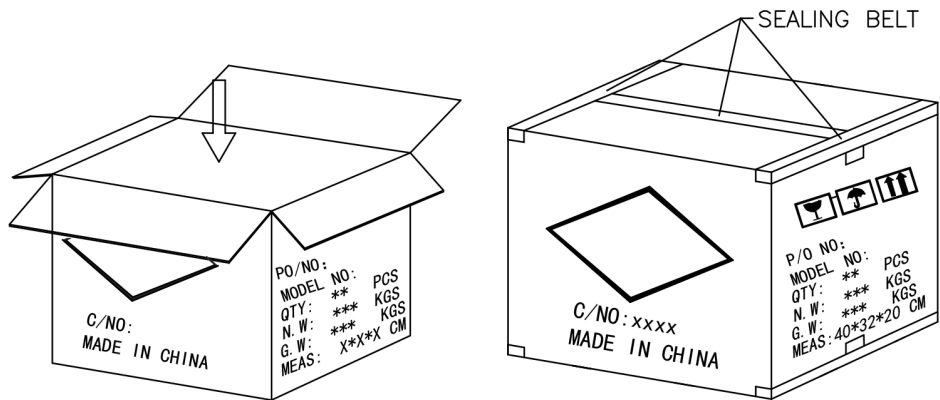
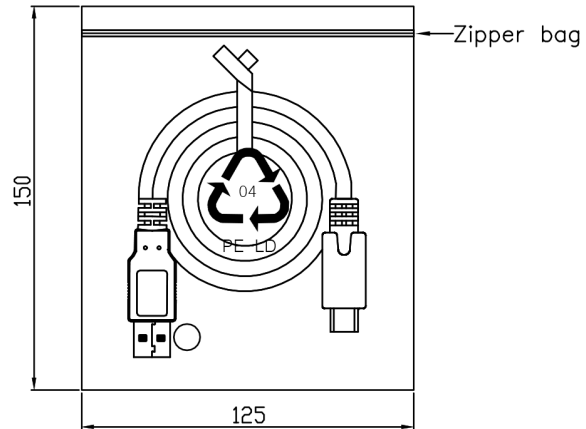
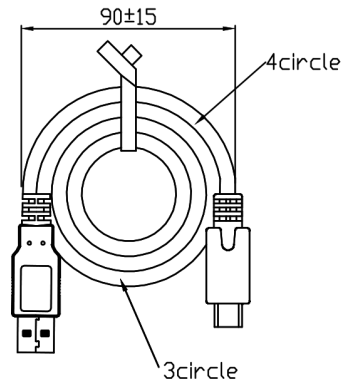


PACKAGING

units: mm

Carton Size: 400 x 320 x 200 mm

Carton QTY: 200 pcs



REVISION HISTORY

rev.	description	date
1.0	initial release	12/11/2018
1.01	brand update	02/17/2020

The revision history provided is for informational purposes only and is believed to be accurate.

CUI DEVICES

CUI Devices offers a one (1) year limited warranty. Complete warranty information is listed on our website.

CUI Devices reserves the right to make changes to the product at any time without notice. Information provided by CUI Devices is believed to be accurate and reliable. However, no responsibility is assumed by CUI Devices for its use, nor for any infringements of patents or other rights of third parties which may result from its use.

CUI Devices products are not authorized or warranted for use as critical components in equipment that requires an extremely high level of reliability. A critical component is any component of a life support device or system whose failure to perform can be reasonably expected to cause the failure of the life support device or system, or to affect its safety or effectiveness.