

**Input**

| | |
|---------------------|---|
| Rated input voltage | 100 V ~ 240 V ac |
| Input voltage range | 90 V ~ 264 V ac |
| Rated frequency | 50~60 Hz |
| Frequency range | 47~63 Hz |
| Rated input current | 400 mA RMS max. |
| Inrush current | 30 A max. at 115 / 50 A max. at 230 V ac cool start |
| Power dissipation | < 0.3 W (CEC Compliant) |

Output

| | |
|--------------------------|--|
| Output voltage | 6 V dc at 2.5 A |
| Output min. current | 0 A |
| Line regulation | ± 1% |
| Load regulation | ± 5% |
| Over voltage protection | 7.1 ~ 7.9 V dc max. (output shut down) |
| Short circuit protection | output shut down and auto restart |
| Ripple voltage | 150 mV (p-p) (100~240 V ac at full load) |
| Efficiency | Energy Star compliant - level IV |

Safety and EMI

| | | |
|-----------------------|--------------------------|--|
| HI-POT | input to output | 3000 V ac or 4242 V dc at 10 mA for 1 min. |
| Insulation resistance | input to output | > 100 M Ohm at 500 V dc |
| Safety approvals | UL/cUL | |
| EMI standard | FCC class B, CE, VCCI-II | |
| RoHS compliant | yes | |
| Leakage current | 0.25 mA | |

Environmental

| | |
|-----------------------|----------------|
| Storage temperature | -10°C ~ +70° C |
| Operating temperature | 0°C ~ +40° C |
| Storage humidity | 10~90% |
| Operating humidity | 20~80% |



CUI INC

Part No: EPS060250UH-P5P-SZ

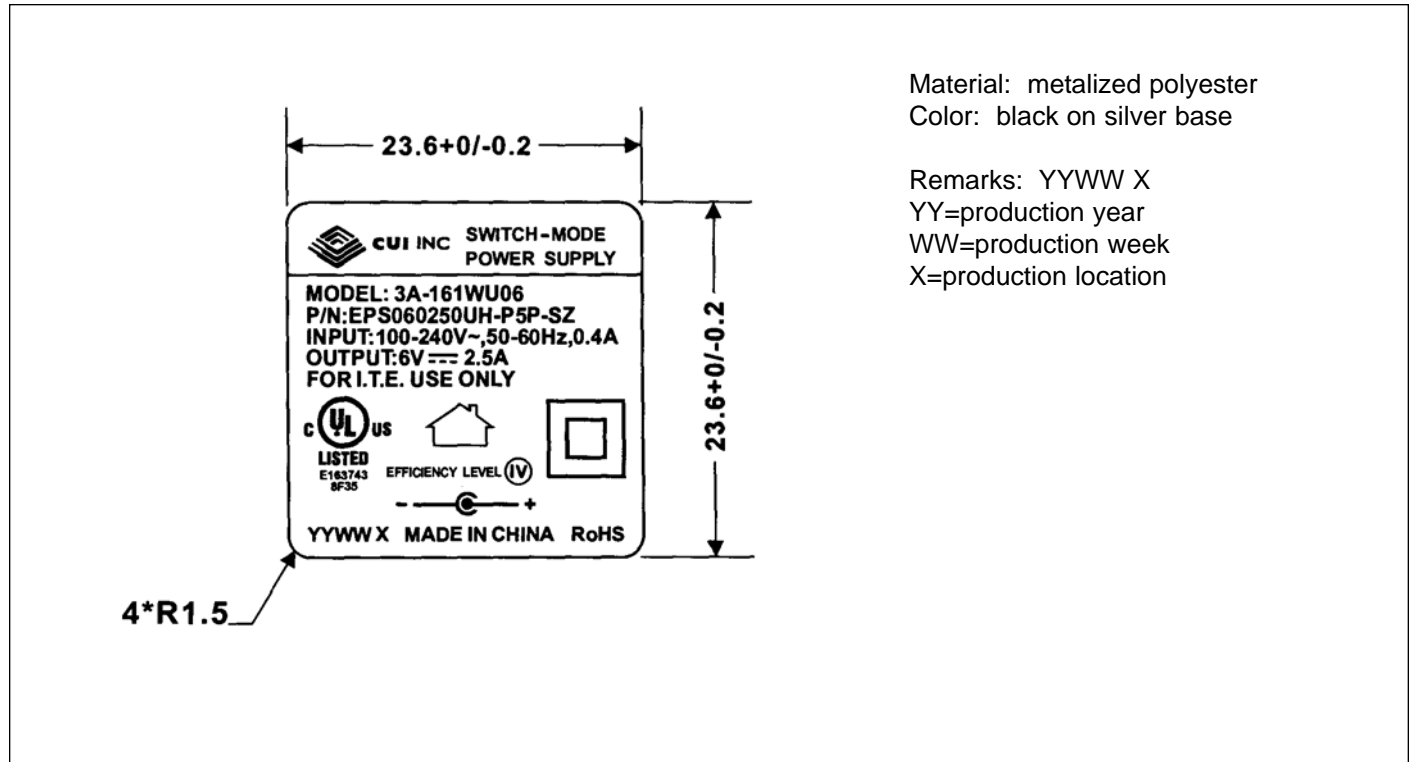
Date: 6/12/2006

Unit: mm

Description: switching power supply

Page No: 2 of 6

Label



Material: metalized polyester
Color: black on silver base

Remarks: YYWW X
YY=production year
WW=production week
X=production location



CUI INC

Part No: EPS060250UH-P5P-SZ

Description: switching power supply

Date: 6/12/2006

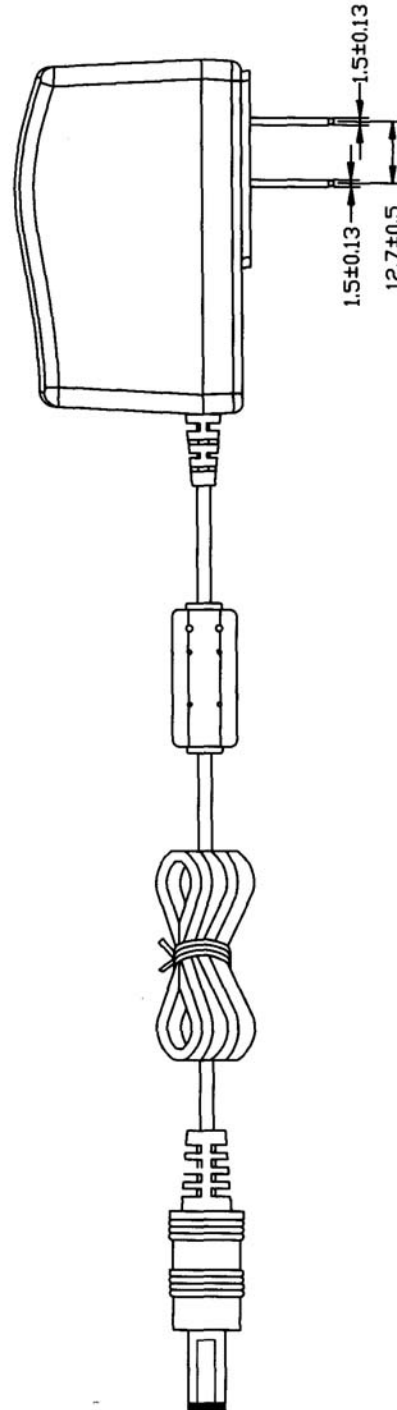
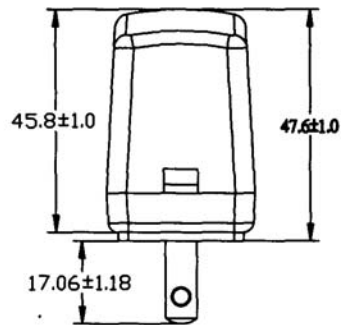
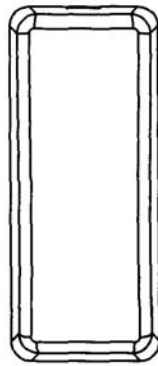
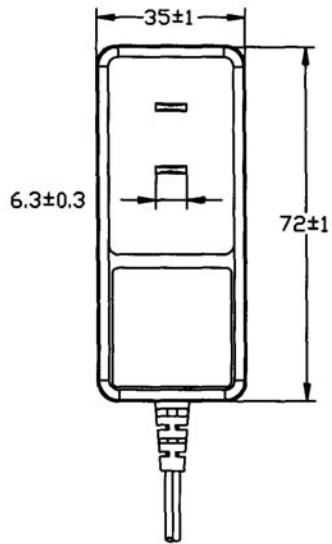
Unit: mm

Page No: 3 of 6

Mechanical Drawing

Tolerance: ± 1

| | |
|-----------|-------------------------|
| Weight | 180 g |
| Case size | 72 L x 47.6 W x 35 H mm |





CUI INC

Part No: EPS060250UH-P5P-SZ

Date: 6/12/2006

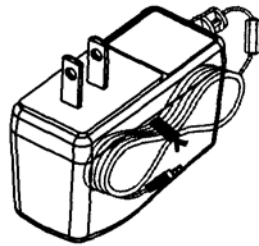
Unit: mm

Description: switching power supply

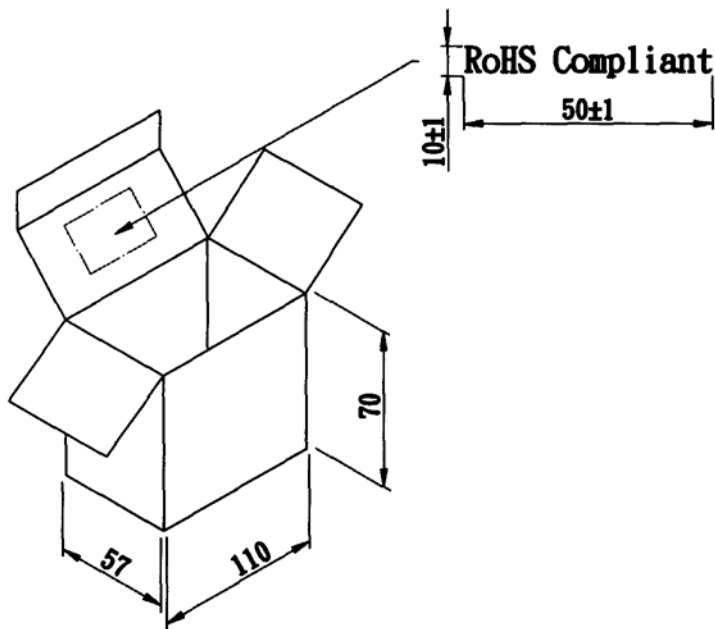
Page No: 5 of 6

Individual Packaging

Tolerance: ± 1



PRODUCT





Packaging

Tolerance: +7/-0

CARTON INTERNAL SIZE:450*308*300mm

Q'TY: 80PCS(20*4)

N.W: 10.8KGS

G.W: 11.3KGS

G.W: 12.0KGS

"RoHS Compliant"

