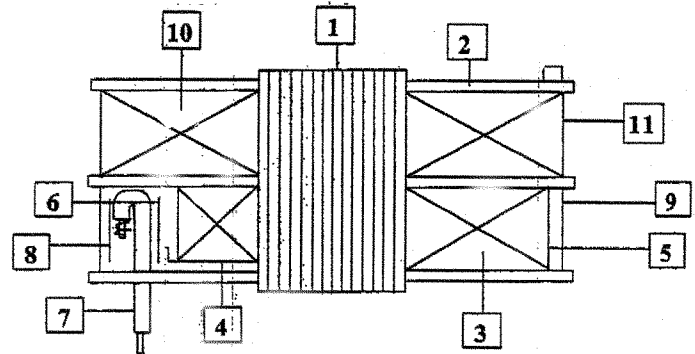
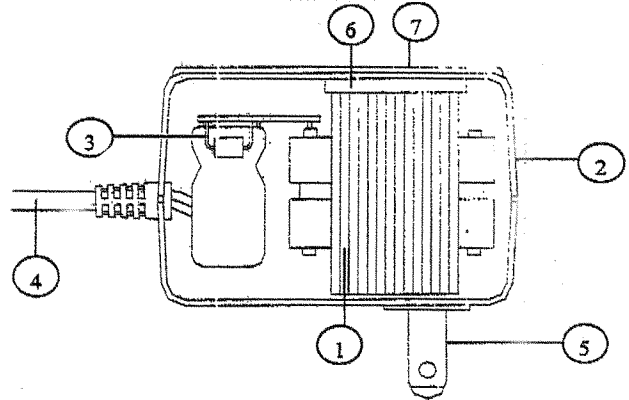




All information contained herein applies only to the above listed part number. Other versions of this part number with electrical or mechanical variations are available. Contact CUI Inc. for further assistance. 9615 SW Allen Blvd., Ste. 103, Beaverton OR 97005
 800-275-4899 • 503-643-4899 • Fax: 503-643-6129 • www.cui.com

| Parts Name | Specification | Q'ty |
|--------------------------------|--------------------------|------|
| 1. Transformer | EI-41 | 1 |
| 2. Enclosure | Noryl SE-100 | 1 |
| 3. Print Wiring Board Assembly | | |
| Print wiring Board | Phenolic 94V-0, 105°C | 1 |
| Diode | 1 A 50 V | 2 |
| Capacitor | 1000 uf 25 V 85 °C | 1 |
| Ceramic Capacitor | X | |
| Resistor | X | |
| 4. Output Cord | AWG# 24 6 ft min. | 1 |
| 5. Blade | Ni plated brass t: 1.5mm | 2 |
| 6. Foam | 94HF-2 or FR212 | 1 |
| 7. Name Plate | Polyester Film | 1 |



| Part Name | Material & Type | Spec or Q'ty |
|--|--|----------------|
| 1. Core | Silicon Steel | 0.50 mm |
| 2. Bobbin | Polybutylene Terephthalate Valox 420-SEO | 0.71mm min. |
| 3. Primary Winding | NEW Thermelt Copper Wire 2NEW Polyurethane Enameled Copper Wire | mm 0.12 mm |
| 4. Primary Crossover | Acetate Tape | 0.18mmx2PCS |
| 5. Insulation Between Primary Lead Winding | Insulation Paper | 0.125mmx3T |
| 6. Insulation Between Primary Lead Winding | Mylar Board | 0.18mmx1PC |
| 7. Primary Lead Wire | 1015 105 °C UL Approved | AWG#22 |
| 8. Primary Outer Wrap | Insulation Paper | 0.25mmx1PC |
| 9. Primary Outer Wrap | Mylar Tape | 0.025mmx2T |
| 10. Secondary Winding | Polyurethane Enameled Copper Wire | 0.27 mm |
| 11. Secondary Outer Wrap | Mylar Tape | 0.025mmx2T |



All information contained herein applies only to the above listed part number. Other versions of this part number with electrical or mechanical variations are available. Contact CUI Inc. for further assistance. 9615 SW Allen Blvd., Ste. 103, Beaverton OR 97005
 800-275-4899 • 503-643-4899 • Fax: 503-643-6129 • www.cui.com

| ITEM | SPEC | SAMPLE | | | | | | | | | |
|--|-----------------------|--------|---|---|---|---|---|---|---|---|----|
| | | 1 | 2 | 3 | 4 | 5 | 6 | 7 | 8 | 9 | 10 |
| Primary Exciting Current Input 117 VAC, 60 Hz | 55 A max | 28 | | | | | | | | | |
| Primary Exciting Current Input 117 VAC, 60 Hz | 90 A max | 62 | | | | | | | | | |
| Secondary No Load DC Voltage | 19 ± 8 % | 19.10 | | | | | | | | | |
| Secondary DC Voltage Load 300 mA | 12 ± 8 % | 11.78 | | | | | | | | | |
| Secondary Voltage Load mA | ± % | | | | | | | | | | |
| Secondary Voltage Load mA | ± % | | | | | | | | | | |
| Secondary Voltage Load mA | ± % | | | | | | | | | | |
| Ripple Voltage Load 300 mA (PK-PK) | 1.7 V max | 1 | | | | | | | | | |
| Hi-Pot Test 1 mA for 1Min. | Pri. to Sec. 1.5k vac | OK | | | | | | | | | |
| | Pri. to Core 1.5k vac | OK | | | | | | | | | |
| | Sec. to Core 1.0k vac | OK | | | | | | | | | |
| Temperature Rise: 70°C MAX measured By Resistance Method (Primry Winding) | | | | | | | | | | | |
| Core Film: SPLIT Core: EI-41 | | | | | | | | | | | |
| Testing Circuit: | | | | | | | | | | | |
| | | | | | | | | | | | |
| Output conductor length: 6 ft min (AWG# 24) | | | | | | | | | | | |
| Input conductor length: ft min (AWG#) | | | | | | | | | | | |
| <p>(V)</p> <p style="text-align: center;">Characteristic Curve</p> <p style="text-align: right;">(mA)</p> | | | | | | | | | | | |



All information contained herein applies only to the above listed part number. Other versions of this part number with electrical or mechanical variations are available. Contact CUI Inc. for further assistance. 9615 SW Allen Blvd., Ste. 103, Beaverton OR 97005
800-275-4899 • 503-643-4899 • Fax: 503-643-6129 • www.cui.com

