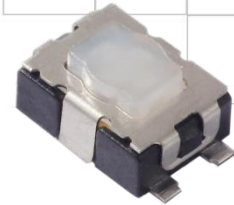




Series 223J

4.2 x 2.8mm IP67 Rated Tactile Switch

- Surface mount gull wing terminal configuration
- Compatible with IR reflow, and manual soldering
- Variety of operating force options
- IP67 protection
- Long Life
- Excellent tactile feel



Ordering Information

Series	Terminal Type	Actuating Direction	Actuator Height "L"	Actuation Force	Packaging	Ground Terminal																					
223J	M	V	A	A	R	G																					
<table border="1"> <thead> <tr> <th>Code</th> <th>Spec.</th> </tr> </thead> <tbody> <tr> <td>M</td> <td>Surface mount gull wing</td> </tr> </tbody> </table>		Code	Spec.	M	Surface mount gull wing	<table border="1"> <thead> <tr> <th>Code</th> <th>Spec.</th> </tr> </thead> <tbody> <tr> <td>V</td> <td>Vertical</td> </tr> </tbody> </table>		Code	Spec.	V	Vertical	<table border="1"> <thead> <tr> <th>Code</th> <th>Spec.</th> </tr> </thead> <tbody> <tr> <td>A</td> <td>300 gf, nature</td> </tr> <tr> <td>B</td> <td>200 gf, black</td> </tr> </tbody> </table>		Code	Spec.	A	300 gf, nature	B	200 gf, black	<table border="1"> <thead> <tr> <th>Code</th> <th>Spec.</th> </tr> </thead> <tbody> <tr> <td>Blank</td> <td>None</td> </tr> <tr> <td>G</td> <td>With ground terminal</td> </tr> </tbody> </table>		Code	Spec.	Blank	None	G	With ground terminal
Code	Spec.																										
M	Surface mount gull wing																										
Code	Spec.																										
V	Vertical																										
Code	Spec.																										
A	300 gf, nature																										
B	200 gf, black																										
Code	Spec.																										
Blank	None																										
G	With ground terminal																										
			<table border="1"> <thead> <tr> <th>Code</th> <th>Spec.</th> </tr> </thead> <tbody> <tr> <td>A</td> <td>1.9mm</td> </tr> </tbody> </table>		Code	Spec.	A	1.9mm	<table border="1"> <thead> <tr> <th>Code</th> <th>Spec.</th> </tr> </thead> <tbody> <tr> <td>R</td> <td>Tape & reel packaging</td> </tr> </tbody> </table>		Code	Spec.	R	Tape & reel packaging													
Code	Spec.																										
A	1.9mm																										
Code	Spec.																										
R	Tape & reel packaging																										

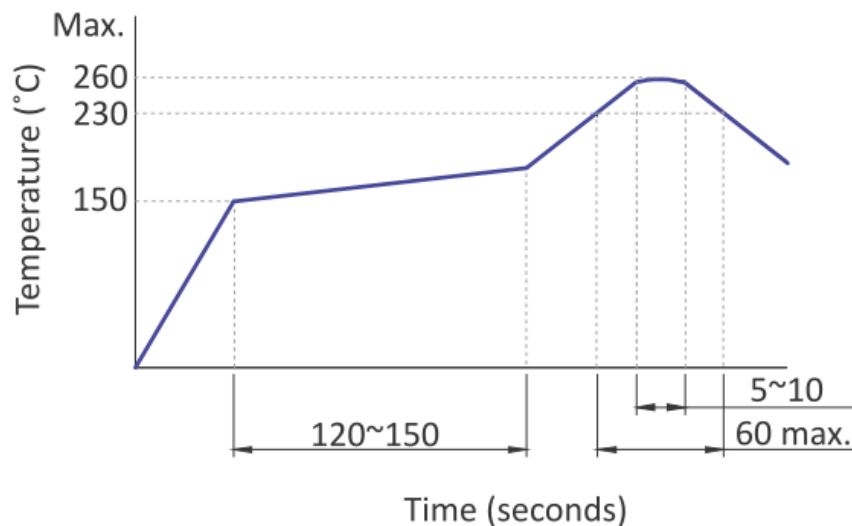
Electrical Specifications

Parameter	Conditions & Remarks	Min	Max	Unit
Contact Resistance			100	milliohms
Insulation Resistance	Between insulated terminals	1000		megohms
Dielectric Strength	250 VDC between adjacent switches		1	minute
Nonswitching Rating			50 or 32	mA or VDC

Mechanical and Environmental

Soldering	Maximum reflow temperature, 260°C for 5 seconds Maximum manual temperature, 350°C for 3 seconds
RoHS	Lead-Free. Fully compliant to RoHS Directive 2011/65/EU
Operating Force	200±50 gf 300±75 gf
Actuation Life	200 gf: 200,000 cycles 300 gf: 150,000 cycles
Actuator Strength	3 Kgf maximum
Travel	0.25±0.1mm
Packaging	Standard tape and reel packaging
Operating Temperature Range	-40°C to +85°C
Storage Temperature Range	-40°C to +85°C
Waterproof Grade	IP67

Soldering Profile



Mechanical Specifications

Figure 1 – 223JMA..., Surface Mount Gull Wing, Actuator Height 1.9mm, No Ground Terminal

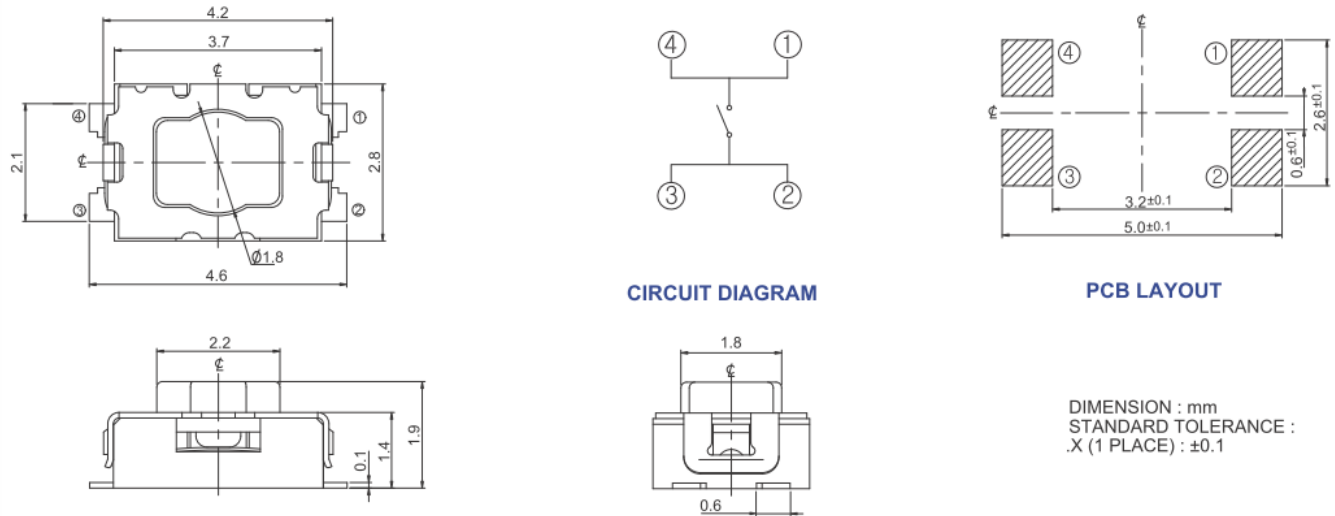
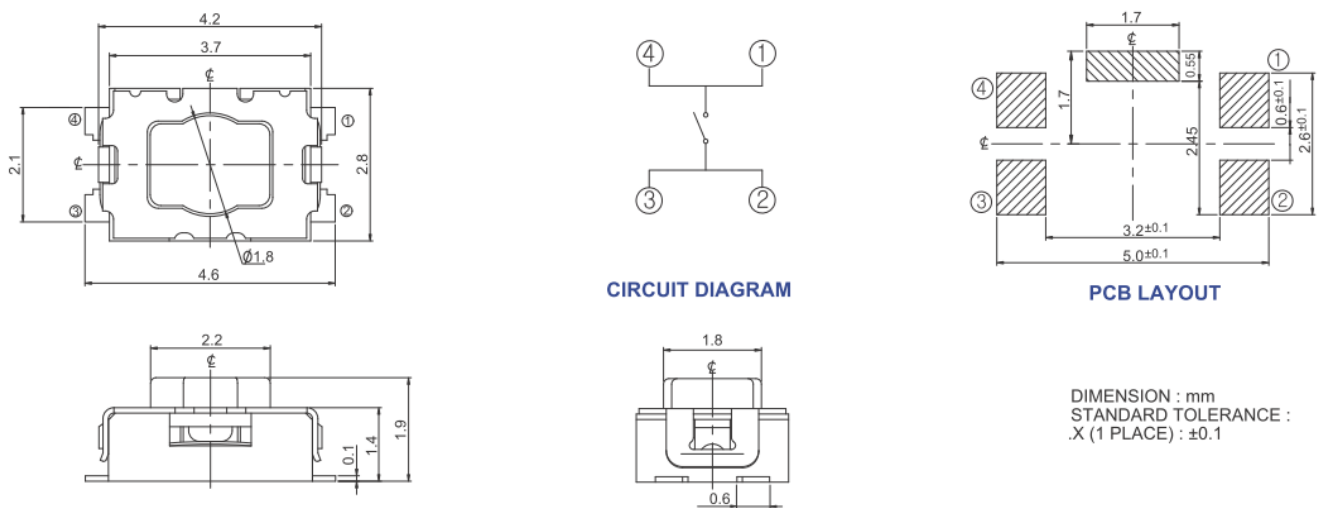


Figure 2 – 223JMA...G, Surface Mount Gull Wing, Actuator Height 1.9mm, With Ground Terminal

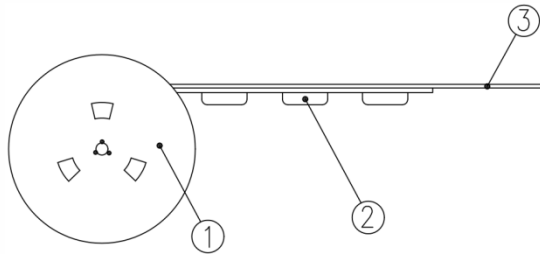


Packing: Tape and Reel

Surface Mount Gull Wing, Actuator Height 1.9mm

The packing specifications:

1. Structure and materials:



No	PART NAME	MATERIAL
①	REEL	POLYSTYRENE
②	CARRIER TAPE	POLYSTYRENE
③	COVER TAPE	POLYESTER

2. Packing quantity: 7,000 pcs/reel
3. More than 10 empty pockets should remain at each end of the carrier tape for each reel.
4. Shortage of less than 10 pcs a reel is acceptable but no more than 3 consecutive empty pockets are allowed.
5. Stripping strength of cover tape is between 10 gf to 130 gf and stripping angle should be within 165°~180°.
6. The product in the pocket of carrier tape should be placed in a specified correct position.
7. Tape and reel per EIA-481.
8. Dimensions:

