

RANGEABLE VOLTAGE LCD DIGITAL PANEL METERS - EPIC SERIES

Voltage Powered LCD Digital Panel Meters Adjustable Voltage Input 4 1/2 Digit



Amber Negative



Red Negative



Green Negative

**Bezel Mount
(Actual size)**



No Backlight

Features:

- Low-cost, high-performance replacement for many OEM DPMs
- Optional Red, Green or Amber backlighting
- Snap-in bezel mount eliminates mounting hardware
- Resistant to RF and EMI
- 4 1/2 digits with high-contrast LCD Display
- 12V or 24V DC Voltage powered
- User selectable, displayed engineering units

Specifications:

Display:	
Digits:	4 1/2 digits (± 19999 counts)
Type:	0.45" (11.4 mm) 7 segment LCD
Backlighting*:	Optional Red Negative (red numbers/black background) Optional Green Negative (green numbers/black background) Optional Amber Negative (amber numbers/black background)
Polarity:	Automatic, "*" displayed
Annunciators:	$^{\circ}$ F, $^{\circ}$ C, PSI, %, user selectable
Decimal Points:	3 position, user selectable
Overload:	Four lower order digits blank for inputs >19999
Inputs:	
Ranges:	0-10V DC, 0-5V DC or 0-200mV DC
Performance:	
Accuracy:	$\pm(0.1\% \text{ fs} + 2 \text{ count})$
Conversion Rate:	3 per second
Normal Mode Rejection:	$>30 \text{ db @ } 60 \text{ Hz}$
Common Mode Range:	$\pm 1\text{V DC max}$
Common Mode Rej.:	$>86 \text{ dB}$
Adjustments:	Span (gain)(2) (10V and 5V) and Zero (offset)
Warmup:	10 minutes typical
Temperature Coeff.:	$\pm 100 \text{ ppm per } ^{\circ}\text{C typical}$
Offset Range:	-19999 to +19999
Gain Range:	1-20000 counts above adjusted zero
Environment:	
Operating Range:	0 to 50 $^{\circ}\text{C}$
Storage Range:	-10 to 60 $^{\circ}\text{C}$
Power Supply:	
	12V DC or 24V DC regulated (selectable)
Optional Backlight:	24V DC at 35 mA typical
Mounting:	
	Snap-in Bezel mount
Connection:	
	4 screw terminal (6 with backlight)

Ordering Information:

EPIC Series Voltage Powered LCD DPM Part Numbering

Snap-In Bezel Mount:

Backlight Type:

DK796 = Amber Negative
DK797 = Green Negative
DK798 = Red Negative
DK799 = No Backlight

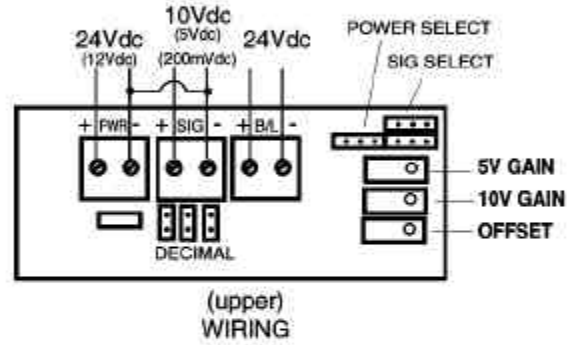
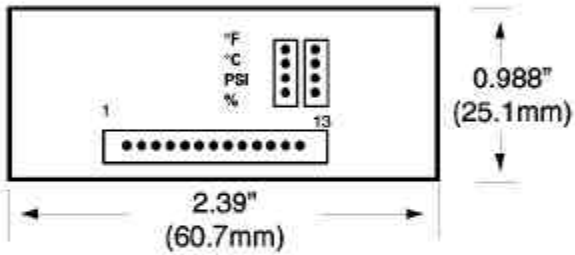
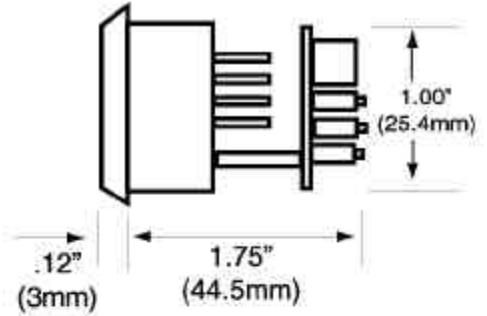
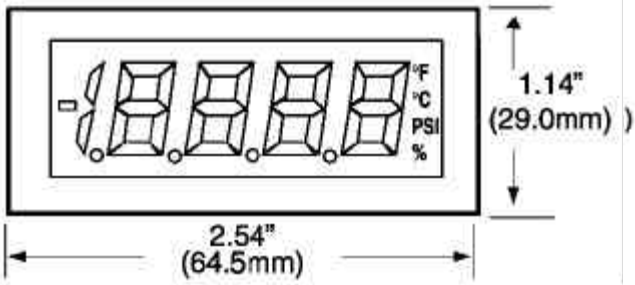
PW2-5 Regulated 120V AC to 5V DC Power Supply
PW2-12 Regulated 120V AC to 12V DC Power Supply
PW2-24 Regulated 120V AC to 24V DC Power Supply

*Negative backlighting is lighted numerals
 Positive backlighting is lighted background



C-TON Industries • PO Box 10129 • Bedford, NH, 03110 • USA

Dimensions



REAR VIEW

DIMENSIONS

