

LCD DIGITAL PANEL METERS - EPIC SERIES

4 1/2 Digit LCD Display



Amber Negative



Red Negative



Green Negative



Bezel Mount

Green Positive



No Backlight

Features:

- Low-cost, high-performance replacement for many OEM DPMs
- Optional Red, Green or Amber backlighting
- Snap-in bezel mount eliminates mounting hardware
- Resistant to RF and EMI
- 4 1/2 digits with high-contrast LCD Display
- User selectable, displayed engineering units
- Contact factory for many other OEM features and options not listed

Specifications:

Display:	
Digits:	4 1/2 digits (±19999 counts)
Type:	0.45" (11.4 mm) 7 segment LCD
Backlighting*:	Optional Red Negative (red numbers/black background) Optional Green Negative (green numbers/black background) Optional Amber Negative (amber numbers/black background) Optional Green Positive (black numbers/green background)
Polarity:	Automatic; "-" displayed
Annunciators:	°F, °C, PSI, %, user selectable
Decimal Points:	4 position, user selectable
Overload:	Four lower order digits blank for inputs >19999
Hold:	Available OEM option, contact factory
Inputs:	
Ranges:	±200.0mV, ±2.000V, ±20.00V DC
Configuration:	Bipolar Differential
Protection:	±350V DC, (±10V DC on 200mV range)
Impedance:	100 Megohm on ± 200mV ; (1 Megohm on 2V & 20V range)
Bias Current	1 pA (± 200mV) , 100 pA (other ranges)
Performance:	
Accuracy:	±(0.1% fs + 2 count)
Conversion Rate:	3 per second
Normal Mode Rejection:	>30 db @ 60 Hz
Common Mode Range:	±1V DC max
Common Mode Rej.:	>86 dB
Zero Adjustment:	Automatic
Warmup:	10 minutes typical
Temperature Coeff.:	± 100 ppm per °C typical
Environment:	
Operating Range:	0 to 50 °C
Storage Range:	-20 to 70 °C
Power Supply:	
+5V DC:	5V DC at 3.5 mA max
Optional Backlight	24V DC at 35 mA typical, 5 VDC at 130mA
Mounting:	
	Snap-in Bezel mount
Connection:	
	13 pins, 0.025" square

*Negative backlighting is lighted numerals
Positive backlighting is lighted background

Ordering Information:

EPIC Series

MODEL	DESCRIPTION
DK741	4 1/2 digit, 5V power, 200mV Input
DK742	4 1/2 digit, 5V power, 2V Input
DK743	4 1/2 digit, 5V power, 20V Input
DK751	4 1/2 digit, 5V power, 200mV Input, Neg. AMBER
DK752	4 1/2 digit, 5V power, 2V Input, Neg. AMBER
DK753	4 1/2 digit, 5V power, 20V Input, Neg. AMBER
DK761	4 1/2 digit, 5V power, 200mV Input, Neg. GREEN
DK762	4 1/2 digit, 5V power, 2V Input, Neg. GREEN
DK763	4 1/2 digit, 5V power, 20V Input, Neg. GREEN
DK771	4 1/2 digit, 5V power, 200mV Input, Neg. RED
DK772	4 1/2 digit, 5V power, 2V Input, Neg. RED
DK773	4 1/2 digit, 5V power, 20V Input, Neg. RED
DK781	4 1/2 digit, 5V power, 200mV Input, Pos. GREEN
DK782	4 1/2 digit, 5V power, 2V Input, Pos. GREEN
DK783	4 1/2 digit, 5V power, 20V Input, Pos. GREEN

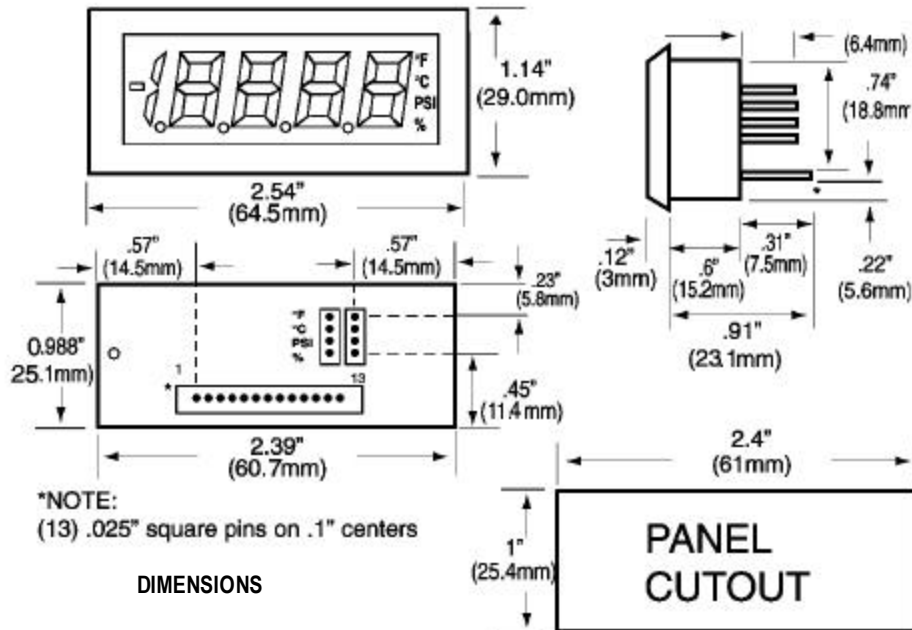
J4C1313 Pin connector / Wire Assembly

PW2-5Regulated 120V AC to 5V DC Adaptor



C-TON Industries • PO Box 10129 • Bedford, NH, 03110 • USA
03110-0129

Dimensions



WIRING

Pin	Description
1	+5V
2	GND
3	INH1
4	INLO
5	Dec. common
6	Dec. 0000.0 when connected to decimal common
7	Dec. 000.00 when connected to decimal common
8	Dec. 00.000 when connected to decimal common
9	Dec. 0.0000 when connected to decimal common
10	No connection
11	Signal Hold when connected to V+
12	B/L V+ (Backlighted models only)
13	B/L V- (Backlighted models only)

Note: Pins 2 & 4 should be tied together for proper operation.