

LED DIGITAL PANEL METERS

Low-cost 3 1/2 Digit LED Displays for voltage inputs



DPMs shown actual size

Features:

- Space saving design only 0.67"(17mm) deep
- Occupies less than 2.5 x 1.1 inches of front panel space
- Choose a red or green LED
- 3-1/2 digits with 0.56" LED
- Window mount with optional bezel (included)
- User Selectable Decimal Points

Specifications:

Display:	
Digits:	3 1/2 Digits (± 1999 counts)
Type:	0.56" (14.2mm) Red or Green 7-Segment LED
Polarity:	Automatic, "-" Displayed.
Decimal Points:	3 Position, User Selectable
Overload:	Three lower order digits blank for inputs >1999 & <-1999
Hold:	Display Hold Function is Standard
Inputs:	
Ranges:	$\pm 200.0\text{mV}$, $\pm 2.000\text{V}$, $\pm 20.00\text{V DC}$
Configuration:	Bipolar, Differential
Protection:	$\pm 350\text{V DC}$, ($\pm 100\text{V DC}$ on 200mV Range)
Impedance:	>1 Megohm, (>10 Megohm on 200mV Range)
Performance:	
Accuracy:	$\pm(0.1\% + 1$ counts) Typical $\pm(0.2\% + 2$ counts) Maximum
Conversion Rate:	3 per Second
Normal Mode Rejection:	>30 db @ 60 Hz
Common Mode Range:	$\pm 1\text{V DC}$
Common Mode Rej.:	>86 dB
Zero Adjustment:	Automatic
Warmup:	10 Minutes Typical
Temperature Coeff.:	± 100 ppm per °C Typical
Environment:	
Operating Range:	0 to 50 °C
Storage Range:	-10 to 60 °C
Power Supply:	
Voltage:	+5V DC ($\pm 5\%$)
Current:	200mA
Mounting:	
	Window Mount, or Bezel Mount with Optional Bezel
Connection:	
	10 Pins, 0.025" Square on 0.1" centers

Ordering Information:

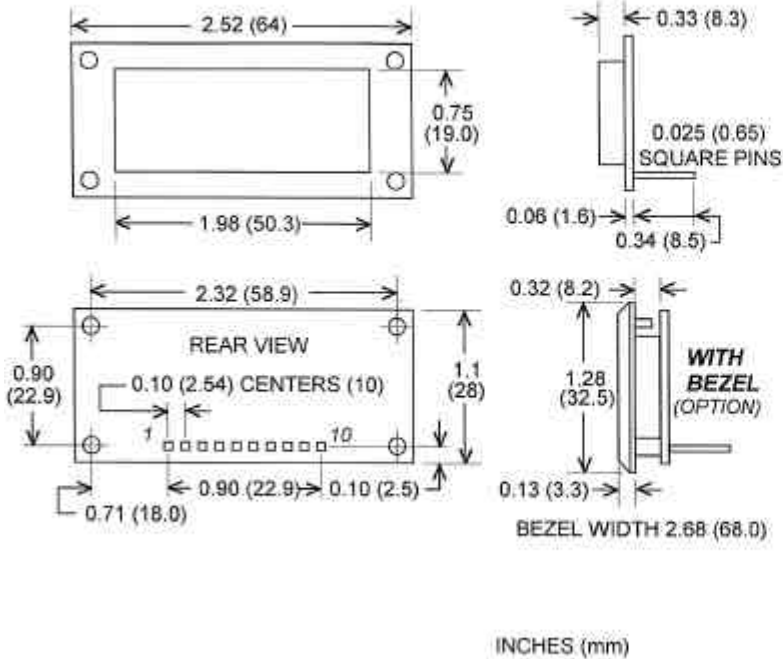
DK-601	200mV range, Green LED DPM, Differential Input
DK-602	2V range, Green LED DPM, Differential Input
DK-603	20V range, Green LED DPM, Differential Input
DK-604	200mV range, Red LED DPM, Differential Input
DK-605	2V range, Red LED DPM, Differential Input.....
DK-606	20V range, Red LED DPM, Differential Input.....
J1C10	10 Pin Connector / Wire Assembly
PW2-5	Regulated 120V AC to 5V DC Adaptor



C-TON Industries • PO Box 10129 • Bedford, NH, 03110 • USA

Dimensions

DIMENSIONS



CONNECTION DESCRIPTIONS

PIN	DESCRIPTION
V +	+5V DPM POWER SUPPLY
GND	DPM POWER SUPPLY GROUND
DP COM	DECIMAL POINT RETURN
DP1	1XX.X
DP2	1X.XX
DP3	1.XXX
INPUT (+)	POSITIVE INPUT SIGNAL
INPUT (-)	NEGATIVE INPUT SIGNAL
NC	NO CONNECTION REQUIRED
HOLD	HOLD LAST DISPLAY

PANEL CUTOUT

