

812 - 814 - 815 - 815 E digital timers Timer 815 Part number 88857302



Relay output digital timers

- LCD or LED (815E)
- Multi-range
- Multi-voltage
- 1 or 2 relay outputs
- Reset function on panel (Timers 815, 815E)
- Data saved in the event of a break in supply (Timer 815, 815E)
- Access to programming lockable (Timer 814, 815 and 815E)
- Up or down timing mode
- Internal power supply by battery (10 years / 20 °C) (Not 815E)

Part numbers

| | Type | Functions | Connections | Relay outputs | Supply voltage | Nominal rating |
|----------|-----------|-----------------|----------------|-------------------------------------|-----------------------|----------------|
| 88857302 | Timer 815 | A1, A2, AM, AMt | 11-pin plug-in | 1 timed changeover or instantaneous | 12 V DC42 →48 V AC/DC | 2 x 8 A |

Specifications

| | |
|--|--|
| Number of digits | 4 |
| Height of digits | TIMER 812 - 814 - 815 : 8 mm TIMER 815E : 7mm |
| Timing ranges | 99,99 s 999,9 s 9999 s 99 min 59 s 99,99 min 999,9 min 9999 min 99 h 59 min 99,99 h 999,9 h 9999 h (? 815E) |
| Repetition accuracy (with constant parameters) | TIMER 812 - 814 - 815 : $\pm 0,03 \% \pm 20$ ms TIMER 815E : $\pm 0,01$ % |
| Display precision | TIMER 812 - 814 - 815 : $\pm 0,03 \% \pm 20$ ms TIMER 815E : $\pm 0,01$ % |
| Min. control pulse | 50 ms |
| Maximum reset time by de-energisation during timed delay | 50 ms |
| Maximum reset time by de-energisation after timing | 50 ms |
| Nominal rating | TIMER 814 - 815 : 8 A AC 8 A DC TIMER 812 : 5 A AC 5 A DC TIMER 815E : 5 A - 250 V AC |
| Max. breaking voltage | TIMER 812 - 814 - 815 : 250 V AC 30 V DC TIMER 815E : 250 V AC 20 V DC |
| Maximum power rating (resistive) | TIMER 814 - 815 : 2000 VA - 190 W TIMER 812 : 1250 VA - 120 W TIMER 815E : 1500 VA - 100 W |
| Maximum admissible current | 15 A < 0,01 s |
| Minimum current | TIMER 812 - 814 - 815 : 250 V AC 30 V DC 100 mA TIMER 815E : 500 mW (10 V / 5 mA) |
| Electrical life at I max., 250 V AC resistive (cycles) | 10 ⁵ |
| Max. permitted number of operations at 1 max 250 V AC resistive per hour | 600 |
| Mechanical life (operations) | TIMER 812 - 814 - 815 : 5 x 10 ⁶ TIMER 815E : 20 x 10 ⁶ |
| Voltage variation | TIMER 814 : + 10 % - 15 % TIMER 815E : + 10 % - 10 % |
| Immunity from micro power cuts | < 0,03 s |
| Max. absorbed power | 0.5 W / 12 V 1 VA / 24 V 0.5 W / 24 V 3.5 VA / 110 V 1 W / 48 V 11 VA / 220 V TIMER 815E : Max. 3 W |
| Temperature limits use (°C) | TIMER 812 - 814 - 815 : -10 °C →+60 °C TIMER 815E : 0 °C →+60 °C |
| Temperature limits stored (°C) | TIMER 812 - 814 - 815 : -30 °C →+70 °C TIMER 815E : -30 °C →+80 °C |
| Degree of protection front face | TIMER 812 - 814 - 815 : IP65 TIMER 815E : IP30 |
| Insulation according to standard IEC/EN 61812-1, IEC/EN 60255-5 | EN61812-1 - IEC255-5 |
| Protection class according to CEI/EN 60529 | ■ |

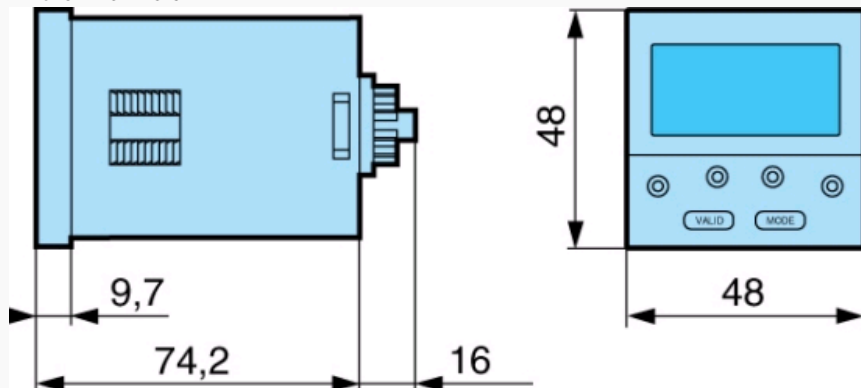
| | |
|---------------------------------|--|
| Mounting Front panel, by clip | ▪ |
| Mounting base-mounted on socket | ▪ |
| Material | Self-extinguishing UL 94 grade V0 |
| Weight (g) | TIMER 814 : 100 TIMER 812 - 815 : 140 TIMER 815E : 120 |

Accessories

| Accessories | Code |
|-----------------------------|----------|
| 8-pin solder-connected plug | 25622301 |
| 11-pin connector base | 25622080 |
| 11-pole rear base | 79694002 |

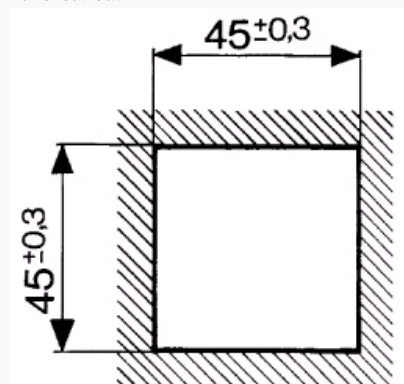
Dimensions (mm)

Timer 812 - 814 - 815

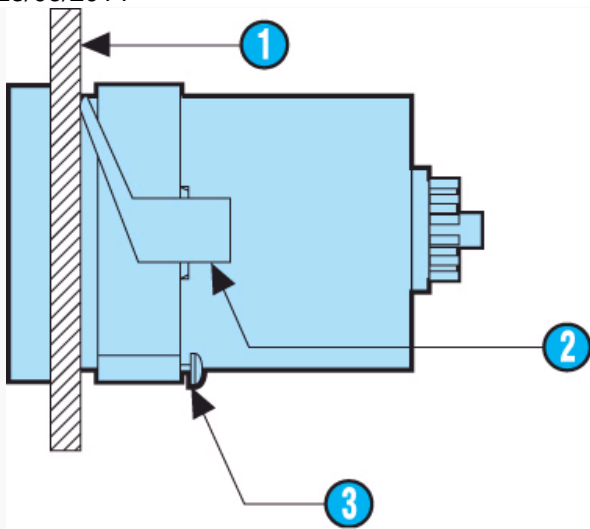


Dimensions (mm)

Panel cut-out



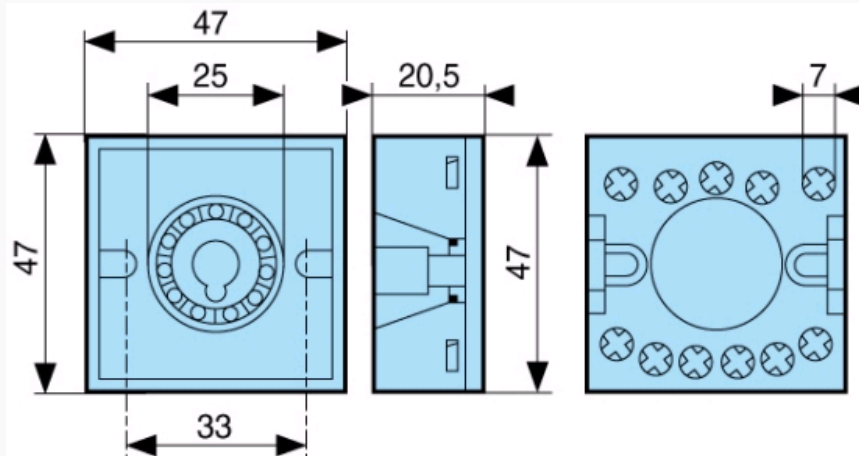
Dimensions (mm)



| N° | Legend |
|----|-----------------------------|
| 1 | Panel thickness 1 to 3,5 mm |
| 2 | Clip for panel-mounting |
| 3 | Positioning screw |

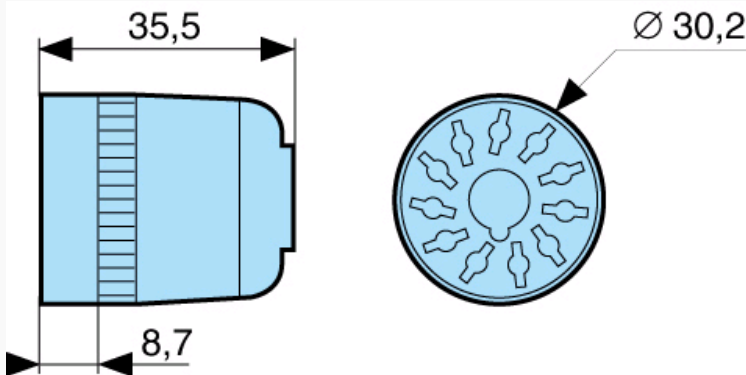
Dimensions (mm)

11-pole rear base
79694002
Panel-mounted



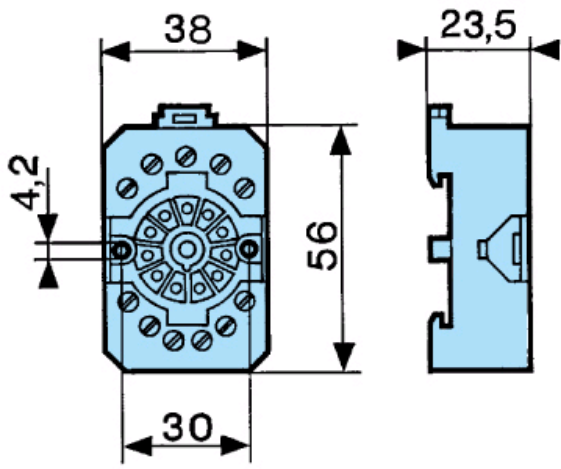
Dimensions (mm)

8-pin or 11-pin solder-connected plug
25622076 - 25622301



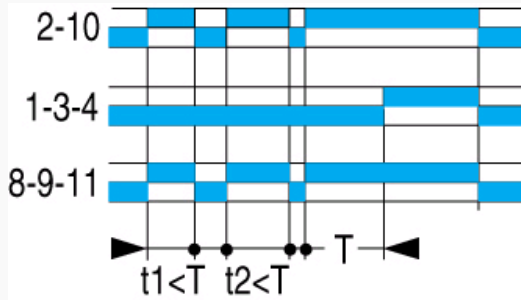
Dimensions (mm)

Connector socket
11-pin 25622080



Curves

Function A1

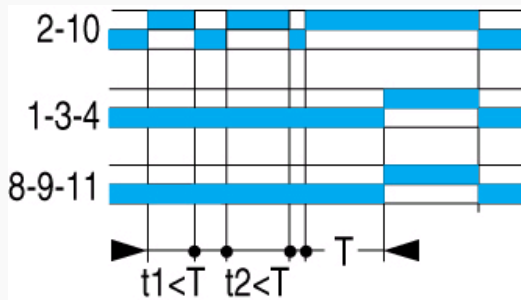


Function A1

Delay on energisation
1 timed relay
1 instantaneous relay

Curves

Function A2

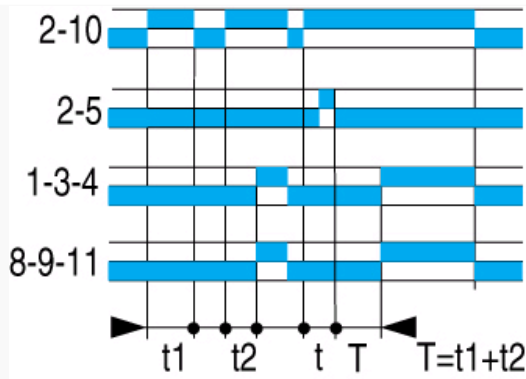


Function A2

Delay on energisation
2 timed relays

Curves

Function AM

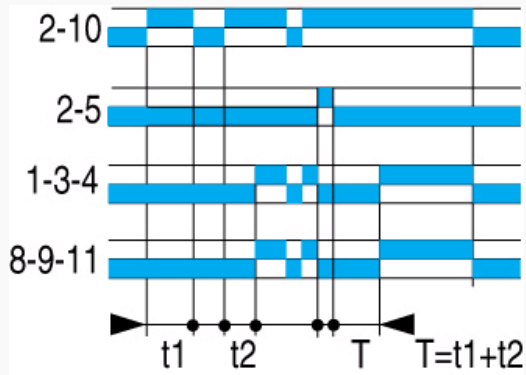


Function AM

Delay on energisation
Memory during timing. Reset

Curves

Function AMt

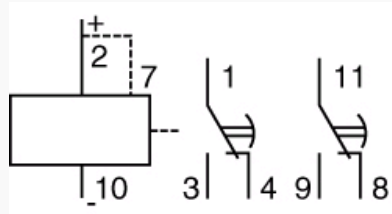


Function AMt

Delay on energisation
Memory during and after timing. Reset

Connections

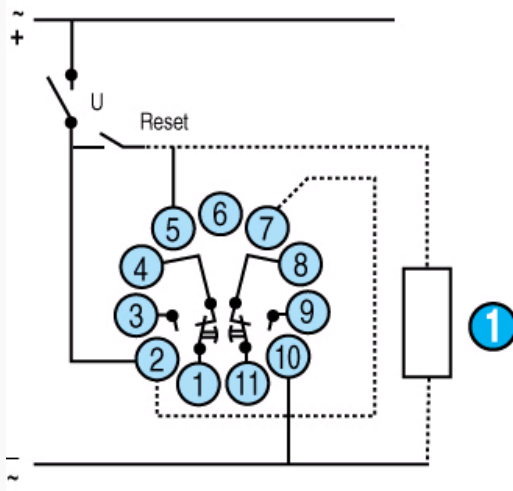
Timer 815 - 11-pin



| N° | Legend |
|-------|---|
| | Supply |
| | Bridge (88 857 301-88 857 302-88 857 307) |
| 1-3-4 | Timed output contact |
| | Timed or instantaneous output contact |

Connections

Timer 815 - 11-pin



| N° | Legend |
|----|--|
| ① | Other loads may be connected in parallel |