

D.C. geared motors with brushes

→ 0.5 Nm 3.9 Watts

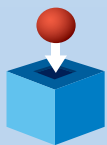
- A range of D.C. geared motors with ovoid gearbox. Mechanical rating of gearbox with output shaft stalled : 0.5 Nm.
- 3.9 Watt motor versions.
- Available in either 12 or 24 V D.C.
- Gearbox ratios options for 0.36 to 430 rpm.



Specifications

		3.9 Watts	3.9 Watts
Type		82 861 0	82 861 0
Voltage		12 V	24 V
Standard speed (rpm)		4300	4300
Output speed (rpm)	Ratios (i)		
430	10	82 861 006	82 861 015
215	20	82 861 007	82 861 016
179	24	●	●
143	30	82 861 008	82 861 017
108	40	82 861 009	82 861 018
90	48	●	●
54	80	82 861 010	82 861 019
49	90	●	●
29	150	●	●
22	200	82 861 011	82 861 020
11	375	82 861 012	82 861 021
8.6	500	82 861 013	82 861 022
5.8	750	●	●
3.6	1200	82 861 014	82 861 023
1.8	2400	●	●
0.80	5400	●	●
0.36	12000	●	●
General characteristics			
Motor		82 860 0	82 860 0
Gearbox		81 021 0	81 021 0
Maximum permitted torque from gearmotor under continuous conditions (for 1 millions turns) Nm		0.5	0.5
Axial load static (daN)		1	1
Radial load static (daN)		8	8
Max. output (W)		3.9	3.9
Nominal output (W)		3	3
Gearbox case temperature rise (°C)		50	50
Weight (g)		160	160

Product adaptations

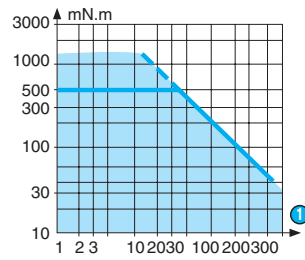


- Special supply voltages
- Special cable lengths
- Optional encoder
- Special connectors
- Special output shafts
- Special gearbox ratios
- Special gear wheel material
- Special output bearings
- Special mounting plate

Curves

The shaded zone represents the operating range of the geared motor.
The horizontal line marks the maximum torque available in continuous duty cycle for a given life.
For higher torque ratings, service life will be reduced.

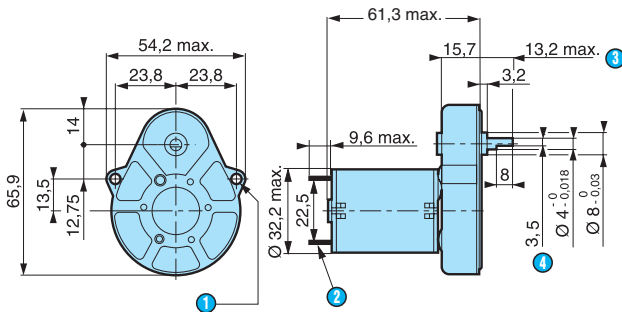
Nominal speed and torque curves



① RPM

Dimensions

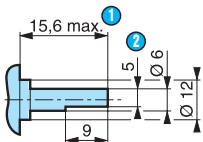
82 861 0



- ① 2 fixing holes $\varnothing 3.2$
- ② 2 tags NFC 20-120 series 2.8 x 0.5 mm
- ③ (shaft pushed-in \leftarrow)
- ④ 3.5 mm across flats

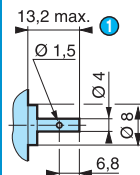
Options

Shaft 70 999 421
SP1295.10



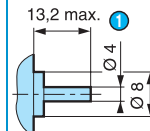
- ① (shaft pushed-in \leftarrow)
- ② 5 across flat

Shaft 79 200 779



- ① (shaft pushed-in \leftarrow)

Shaft 79 200 967



- ① (shaft pushed-in \leftarrow)