



Miniature control valves flow 200 to 300 NI/mn 3/2 NC Part number 81513100

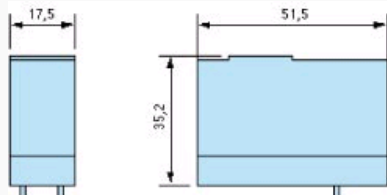


	Type	Code
81513100	3/2 NC	81 513 100
81513600	3/2 NO	81 513 600
81513200	4/2 monostable	81 513 200
81516100	4/2 pressure spring-return	81 516 100
81516200	4/2 pressure spring-return	81 516 200

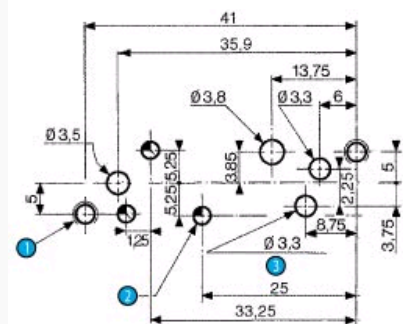
Symbol

Width mm	17,5
Operating pressure bars	3-8
Orifice diameter mm	3
Flow at 6 bars with sub-base Ø 4 mm	200
Flow at 6 bars with sub-base Ø 6 mm	300
Operating temperature (°C)	-10 → +50
kV with sub-base Ø 4 mm	2,2
kV with sub-base Ø 6 mm	2,5
Switching time of the relay only ms	5
Mechanical life (operations)	$1,5 \times 10^7$
Weight (g)	38

Dimension Diagram : 81 513



Dimension Diagram : Plan de pose mini-distributeur (pas 17,5 mm) 81 513 100 - 81 513 200 - 81 513 600



N°	Legend
1	2 holes M4-depth of thread: 10 mm min
2	3 holes Ø 2,8 depth: 3
3	(4/2 only)