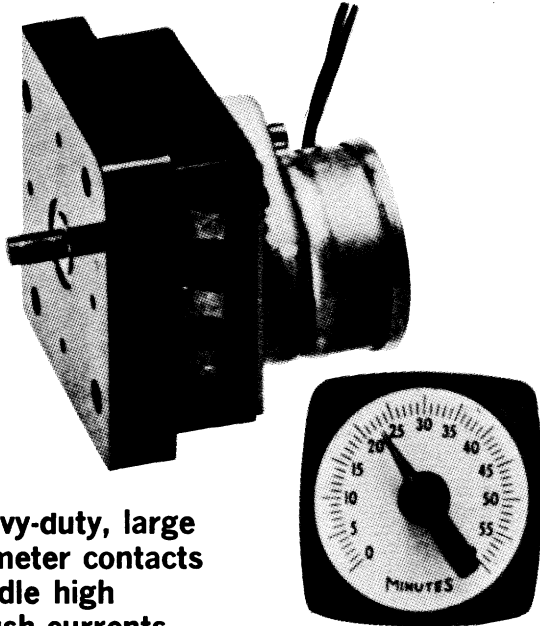
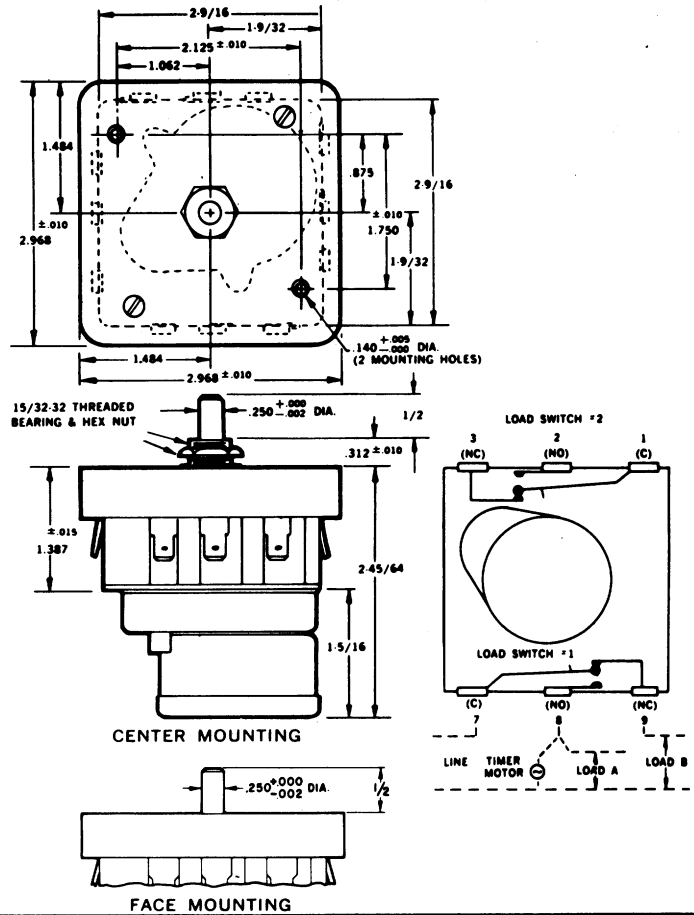


# Cramer 271 Low Cost Interval Timer



- Heavy-duty, large diameter contacts handle high inrush currents
- Compact, fully enclosed housing
- UL Recognized
- One or two circuits



Cramer 271 Interval Timer is designed primarily for built-in applications and is available with or without a standard dial and pointer-knob. It controls ON and OFF intervals for a number of applications in ranges from 60 seconds to 72 hours.

Turning the pointer clockwise to the chosen setting transfers the load switch, energizes the high torque motor and initiates timing. The setting pointer indicates

timing progress as it moves back towards zero. Setting can be changed while timing is in progress. As the timed interval ends, the load switch transfers to its original position and the motor is automatically de-energized.

In two-pole units, the second cam is factory set to operate immediately prior to the first. The normal operating point is zero, but the second cam can be set to operate at any point in the  $270^\circ$  scale if so specified.

## SPECIFICATIONS

Time Ranges	Dial Divisions	Time Ranges	Dial Divisions
60 sec.	2.0 sec.	60 min.	2.0 min.
5 min.	10.0 sec.	5 hr.	10.0 min.
15 min.	30.0 sec.	12 hr.	24.0 min.
30 min.	1.0 min.	24 hr.	48.0 min.
		72 hr.	2.0 hours

Lower contact ratings will permit time ranges shorter than 60 seconds. For additional special time ranges, consult factory or your nearest Cramer representative.

**Minimum Setting:** 9 degrees.

**Total Travel:** 270 degrees.

**Ratings:** Available in 115 volt and 220 volt, 50 and 60 Hz. For special AC requirements and DC ratings, consult factory.

**Load Circuits:** one or two. SPDT open-blade switches.

**Switch Contacts:** Silver-cadmium-alloy, rated at 15 amperes, 115 volts AC resistive load, or 1/3 HP motor load at 115 volts AC.

**Mounting:** Can be face mounted or center mounted.

## ORDERING INFORMATION

Timer 271

Time Range

Voltage and Frequency

**Number of poles:** 1 or 2. If two specify operating point for pole #2.

**Mounting style:** Face or Center Hole.

**Other Features:** Dial, Knob, etc.

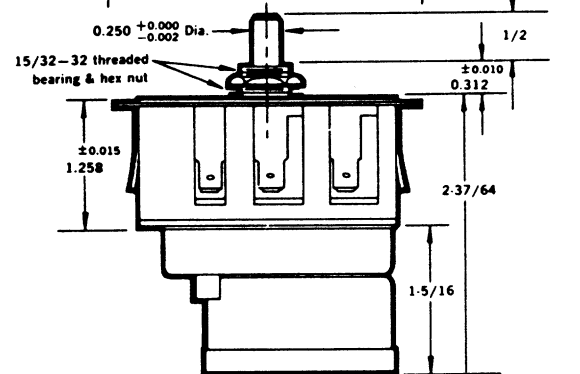
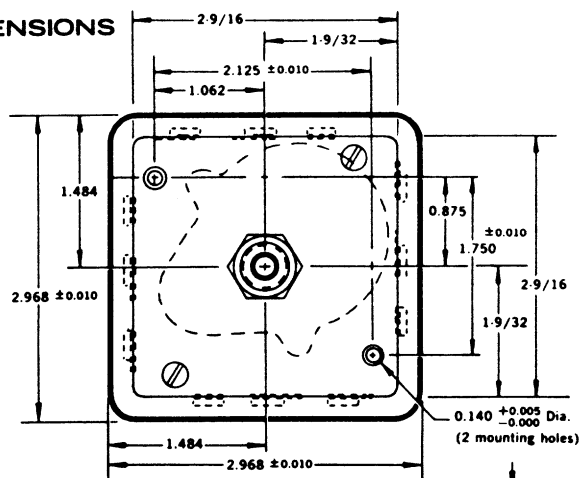
**CRAMER** COMPANY

Mill Rock Road  
Old Saybrook, Connecticut 06475

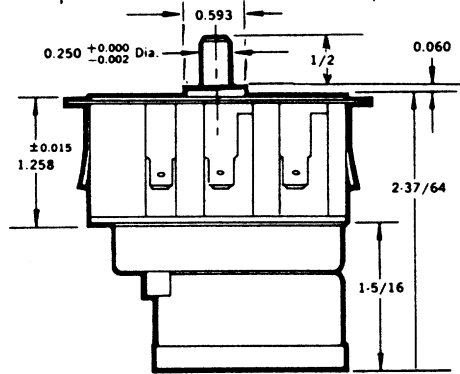
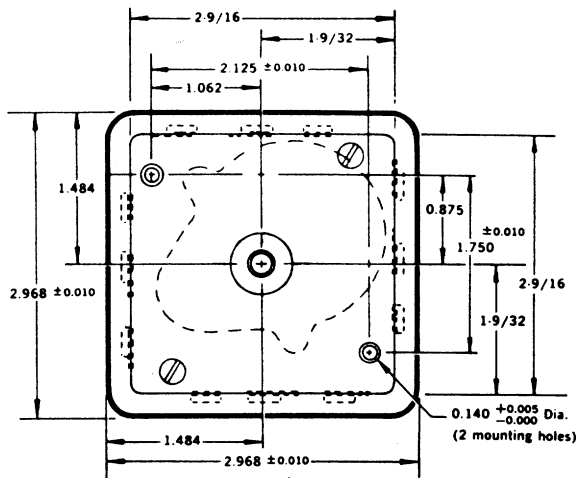
Telephone: (203) 388-3574

Telex: 966-453

**DIMENSIONS**

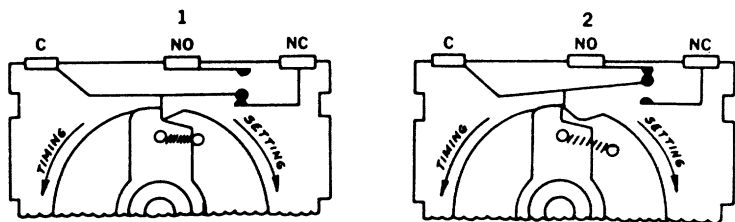


**CENTER MOUNTING**



**FACE MOUNTING**

**CAM WITH REVERSING PAWL**

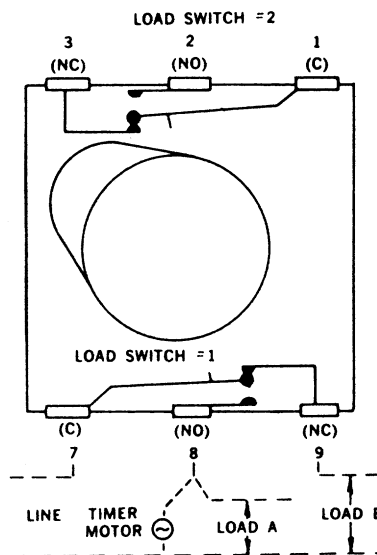


Spring loaded reversing pawl provides "drop-off" for fast contact transfer at end of cycle and allows gradual rise for setting operation.

**ORDERING INFORMATION**

- Specify:**
- Timer Type (271)
  - Time Range
  - Voltage and Frequency
  - Number of poles (1 or 2). If two, specify operating point for pole No. 2
  - Mounting style (face-or center-hole)
  - Other features (dial, knob, etc.)

**WIRING**



NOTE: Bottom view of timer load A is energized when timer runs.

**GIANNINI CONTROLS CORP. INDUSTRIAL SALES OFFICES**

GCC Industrial Products include CRAMER timing devices and small motors, Presstaker® combination pressing and staking machines, POWERTRON ultrasonic cleaning systems and ultrasonic fluid controls.

**CHICAGO 39, Illinois**  
4930 West Fullerton Ave.  
MErrimac 7-7502

**OLD SAYBROOK, Connecticut**  
EVERgreen 8-3574  
TWX: 203-388-4397

**PASADENA, California**  
1200 East Walnut St.  
MURray 1-1212, SYcamore 3-1985  
TWX: 213-449-2353

**PLAINVIEW, Long Island, N.Y.**  
Expressway Industrial Park  
MU 3-8225, GE 3-1020

**WALTHAM, Massachusetts**  
235 Bear Hill Rd.  
893-8181

**WASHINGTON 16, D.C.**  
4435 Wisconsin Ave., N.W.  
363-5587