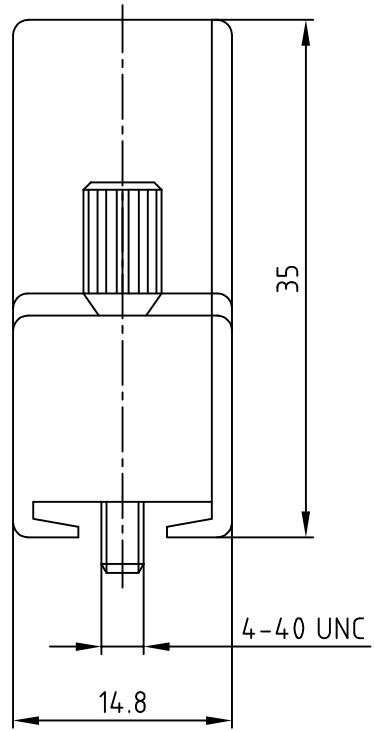
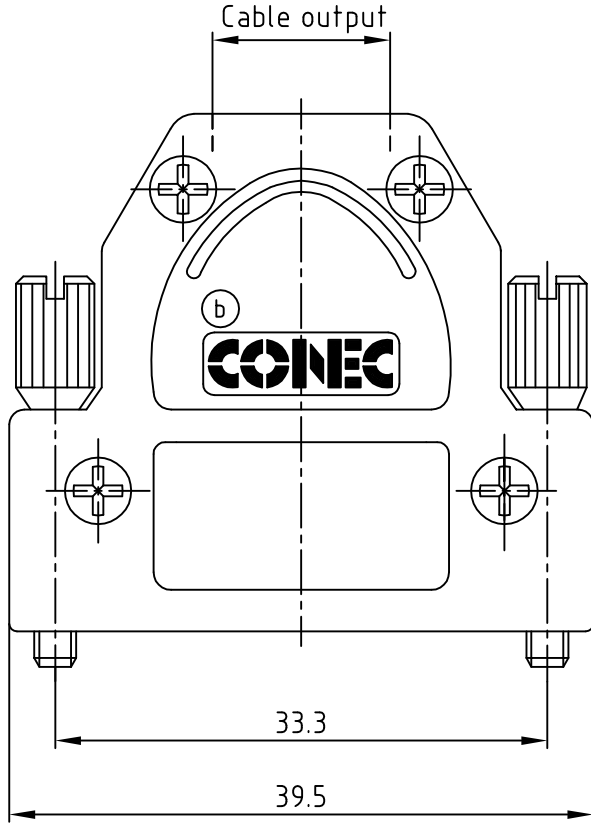
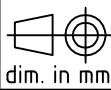



used for: D-SUB



THIS DRAWING MAY NOT BE COPIED OR REPRODUCED IN ANY WAY, AND MAY NOT BE PASSED ON TO A THIRD PARTY WITHOUT WRITTEN PERMISSION.  
 OWNERSHIP AND COPYRIGHT OF CONEC GmbH  
 DO NOT ALTER CAD DRAWING BY HAND

finish:			tolerance			 dim. in mm		scale: 2:1	
			2007	date	name		material: HOOD: DIE-CAST ZINC		
			drawn	12.04.	Schwenkler		title: METAL HOOD 15pos. EMI / RFI SHIELDING with jack screws		
			appd.	12.04.	Mickenbecker				
			norm						
			d-old						
1 x b	Ä6677	28.04.2017	Unkrüer			dwg no: AutoCAD		DIN-A	
a	Original					16K1A2043		4	
rev.	description	date	name			part no: 600X51215X		sh: 1/1	

F

E

D

C

B

A

F

E

D

C

B

A

4

3

2

1

4

3

2

1