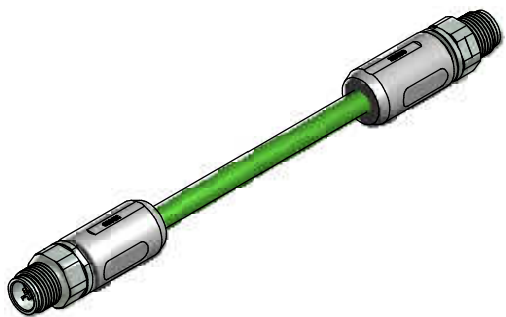
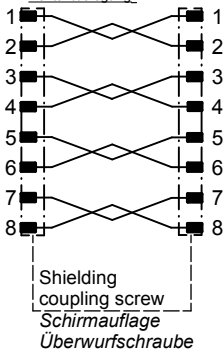


**Contact assignment /**  
*Kontaktbelegung:*



**Technical specification:**

**Technische Daten:**

Rated Voltage/ <i>Bemessungsspannung:</i>	8pol
IEC 61076-2-109	48 V
Current rating/ <i>Strombelastbarkeit:</i>	8pol
IEC 61076-2-109	0,5 A / 40°C
Transmission properties/ <i>Übertragungseigenschaften:</i>	CAT 6 <sub>A</sub> / 10 GBit/s
IEC 61076-2-109	
Insulation resistance/ <i>Isolationswiderstand:</i>	>=100 MΩ
IEC 60512	
Pollution degree/ <i>Verschmutzungsgrad:</i>	3/2
IEC 60664-1	
Degree of protection/ <i>Schutzart:</i>	IP 67, in mated condition/ <i>im verschraubten Zustand</i>
IEC 60529	
Temperature range/ <i>Umgebungstemperatur:</i>	-30°C ... +80°C
EN 60512-11-10	-40°C
EN 60512-11-4	-40°C ... +85°C
Mating cycles/ <i>Steckzyklen:</i>	>=100
IEC 60512-9a	

**Cable specification:**

**Kabeleigenschaften:**

Temperatur range/ <i>Umgebungstemperatur:</i>	
static/fest verlegt	-40°C ... +80°C
flexible/bewegt	

**Materials/**

**Werkstoffe:**

Contact/ <i>Kontakt:</i>	CuZn, Ni b / Au 0,2 gal.
Contact carrier/ <i>Kontaktträger:</i>	PA, UL 94 V-0
Sealing/ <i>Dichtung:</i>	FPM
Coupling nut/ <i>Überwurfmutter:</i>	CuZn, Ni
Moulding body/ <i>Griffkörper:</i>	TPU, UL 94 HB, grey/grau

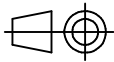
**Installation specification/**

**Montagedaten:**

Recommended torque/ <i>empfohlenes Drehmoment:</i>	0,6 Nm
Conec	Torque wrench/ <i>Drehmomentschlüssel:</i>
Installation tool/ <i>Montagewerkzeug:</i>	36-000200
	Insert across flats15/ <i>Steckeinsatz SW15:</i>
	36-000320

Part no./ <i>Art.-Nr.:</i>	Description/ <i>Bezeichnung:</i>	Length L/ <i>Länge L:</i>	Cable/ <i>Kabel:</i>
43-20377	SAL - 12X - RS8.8 - RS8.8 - 1 / GBB	1m	PUR, UL 21223, green/grün., 8xAWG26, 02YSC11Y Cable/ <i>Kabel:</i> 781-GBB1800
43-20378	SAL - 12X - RS8.8 - RS8.8 - 2 / GBB	2m	
43-20379	SAL - 12X - RS8.8 - RS8.8 - 5 / GBB	5m	
43-20380	SAL - 12X - RS8.8 - RS8.8 - 10 / GBB	10m	
43-xxxxx	SAL - 12X - RS8.8 - RS8.8 - ... / GBB	x	

tolerance of cable/  
*Kabeltoleranz:* L <= 4m: L + 40mm  
L > 4m: L + 1%



dim. in mm

Connecting cable male M12x1 X-Cod.  
axial shielded  
*Verbindungsleitung Stecker M12x1 X-Cod.  
axial geschirmt*

general tolerance/  
*Allgemeintoleranz:*

0	± 0,50mm
0,0	± 0,25mm
0,00	± 0,10mm
*	± 5°

	Date/Datum	Name
drawn/ <i>gez.</i>	10.01.17	Brüntrup
appd./ <i>gepr.</i>	10.01.17	Foot

Index: a Original

scale/Maßstab:

Status: Freigegeben

RoHS & REACH compliant/konform



dwg no /  
*Z.-nr.:*

43K1A3582

DIN-A4

1 / 4