



Technical specification:

Rated voltage: IEC 61076-2-101	6pos 30 V
Current rating: IEC 61076-2-101	2 A at 40°C
Insulation resistance: IEC 60512	>=100 MΩ
Pollution degree: IEC 60664-1	3/2
Degree of protection: IEC 60529	IP 67, in mated condition
Temperature range: IEC 60664-1	-30°C ... +80°C
Mating cycles: IEC 60512-9a	>=100

Materials:

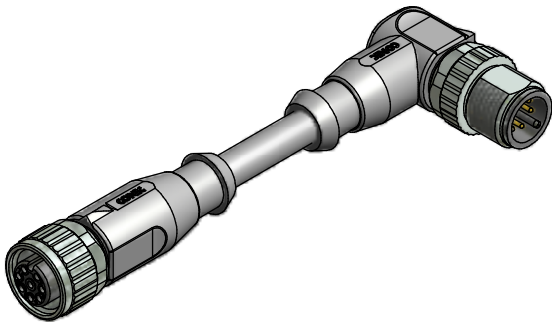
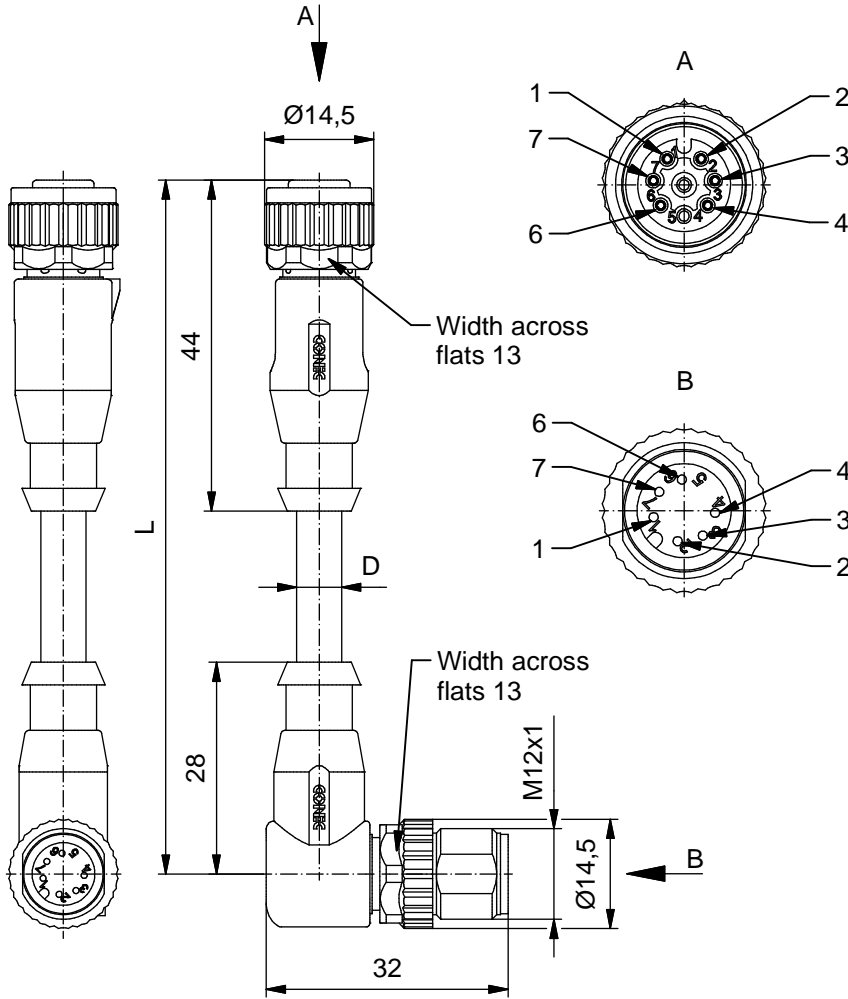
Contact:	CuZn
Contact plating:	Nickel, gold plated
Contact carrier:	TPU GF, UL 94
Sealing:	FPM
Coupling nut/ screw:	GD-Zn, nickel plated
Moulding body:	TPU, UL 94, grey

Installation specification:

Recommended torque:	0,6 Nm
Conec installation tool:	Torque wrench: 36-000200 Insert across flats 13: 36-000220

Contact assignment:

1) brown	4) black
2) white	6) grey
3) blue	7) pink



D see data sheet cable

Part no:	Description:	Length L:	Cable:
43-14629	SAL - 12 - RK6 - RSW6 - 0,3 / A1 / A1090	0,3m	PVC, grey, 6x0,25mm ² Cable: 781-A12600
43-14630	SAL - 12 - RK6 - RSW6 - 0,6 / A1 / A1090	0,6m	
43-14631	SAL - 12 - RK6 - RSW6 - 1,5 / A1 / A1090	1,5m	
43-14632	SAL - 12 - RK6 - RSW6 - 3,0 / A1 / A1090	3m	
43-xxxxx	SAL - 12 - RK6 - RSW6 - ... / A1 / A1090	x	

DO NOT ALTER CAD DRAWING BY HAND

Directive 2002/95/EC RoHS compliant

tolerance of cable: L ≤ 4m: L + 40mm
L > 4m: L + 1%

THIS DRAWING MAY NOT BE COPIED OR REPRODUCED IN ANY WAY, AND MAY NOT BE PASSED ON TO A THIRD PARTY WITHOUT WRITTEN PERMISSION.
OWNERSHIP AND COPYRIGHT OF CONEC GmbH

dim. in mm

	date	name
drawn	17.01.11	Franz
appd.	17.01.11	Mankopf

CONEC®

title:
Connecting cable M12x1, female connector axial - male connector angled

dwg no:
43K1A1283

part no:
see table

