

**Notes:**

1. Material and Finish:

- Coupler Ring: Polyester (Black); UL94 V-0
- Plug Housing: Polyester (Black); UL94 V-0
- Cable Gland: PA (Black), UL94 V-0
- Cable Gland Rubber Ring: NBR, Color: Black
- Cable Fitting: PA (Black), UL94 V-0
- Interfacial Seal: Silicone, Color: White

(f) Duplex LC Connector

- Housing: PEI, UL94 V-0,

(e) (b) Color: **SM Blue/MM Beige/APC SM Green**

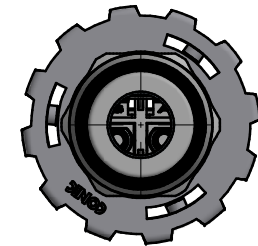
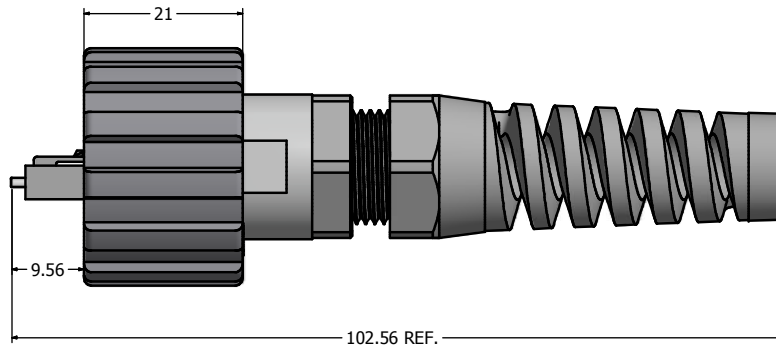
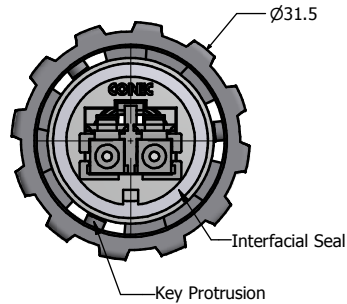
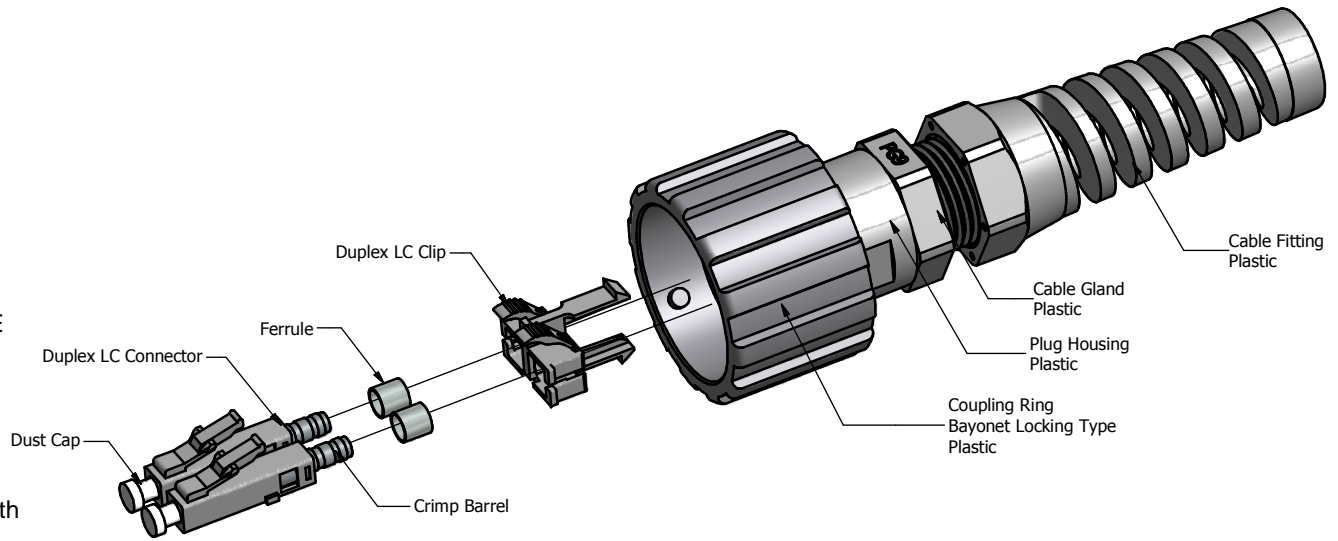
- Inner Sub Assembly: Zirconia, Metal and PTFE
- Crimp Barrel: Brass, Nickel Plated
- Ferrule: Brass, Nickel Plated
- Dust Cap: PC, Color: White

(c) Duplex LC Clip: PC, Color: Black

- Operating Temperature: -40°C to +85°C

(h) 2. IP67/IP68 rated when covered or fully mated with the appropriate mating connector

(d) 3. Accept 4.5mm to 8.0mm outside diameter fiber optic cable



| Description                  | Part Number |
|------------------------------|-------------|
| Single Mode (SM)             | 17-300030   |
| Multi Mode (MM)              | 17-300040   |
| (e) APC Single Mode (APC SM) | 17-300110   |

RoHS Compliant

|  |             |             |               |   |                   |            |  |            |
|--|-------------|-------------|---------------|---|-------------------|------------|--|------------|
| THIS DRAWING MAY NOT BE COPIED OR REPRODUCED IN ANY MANNER AND MAY NOT BE PASSED ON TO A THIRD PARTY WITHOUT WRITTEN PERMISSION. OWNERSHIP AND COPYRIGHT OF CONEC CORPORATION. <b>DO NOT ALTER CAD DRAWING BY HAND</b> | Customer:   |             |               | Tolerance<br>Unless otherwise specified                                   |                   |            | Scale: 1.5:1   | Dim. in mm |
|  | Name        | Title       | Approval Date | 0<br>1 PLC ±0.58<br>2 PLC ±0.38<br>3 PLC ±0.25<br>PLC ±0.10<br>ANGLES ±.7 | Autodesk Inventor |            | Material: See Notes  |            |
|  | h 1 x h     | Dec/03/2015 | Vincent Ke    | 2008  | Date              | Name       | Title: IP67 Industrial Duplex LC Plug Kit<br>Plastic Version |            |
|  | g 1 x g     | Sep/25/2015 | Vincent Ke    | Draw.   | Jun. 06           | Vincent Ke |  |            |
|  | f 1 x f     | Jul/12/2011 | Vincent ke    | Appd.   | Jun. 06           | J. Chaudry | Drawing No.: 17K1A003<br>Part No.: SEE P/N ABOVE             |            |
| e 2 x e  | Nov/22/2010 | Vincent Ke  | Norm          |   |                   |            |  |            |
| d 1 x d  | Nov/03/2010 | Vincent Ke  | D-old         |   |                   | DIN A3     |  |            |
| c 1 x c  | Jul/19/2010 | Vincent Ke  |               |   |                   | Sheet 1/1  |  |            |
| a  | original    |             |               |   |                   |            |  |            |
| Rev.   | Changes     | Date        | Name          |   |                   |            |  |            |
|  |             |             |               |   |                   |            |  |            |