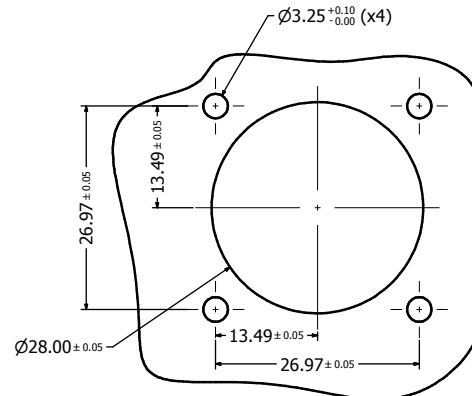
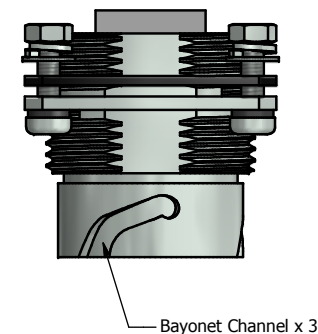


Recommended Double-D Panel Cutout

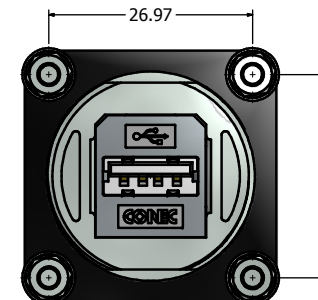
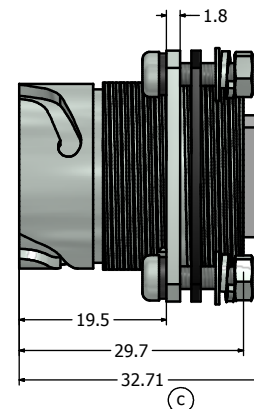
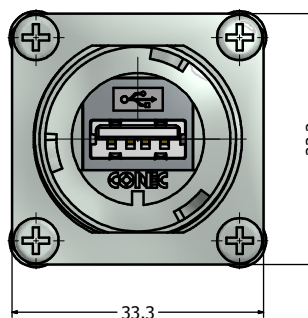


Recommended Round Panel Cutout



Notes:

- Electrical Specifications:
 - Meets USB 2.0 Specification
 - Contact Resistance: 30 mOhm max.
 - Insulation Resistance: 1000 MOhm min. @ 100 VDC
 - Current Rating: 1.5 A max. at 25° C
 - Working Voltage: 30 V (RMS) max.
 - DWV: 500 VAC/60s at sea level
 - Operating Temperature: -40° C to +85° C
- Material and Finish:
 - Receptacle Housing (with Flange): Zinc Die-Cast, Finish: Powercron 150 (PPG), Black
 - Panel Gasket: NBR, Color: Black
 - M3 Mounting Hardware: Stainless Steel
 - Includes 4 x (Screw + Nut + Flat Washer + Spring Lock Washer)
 - USB Adaptor Insulator: PBT, UL94 V-0, Black
 - USB Adaptor Metal Shell: Copper Alloy, Nickel Plated
 - USB Adaptor Overmold material: PBT UL94 V-0, Color: Black
 - USB Contacts: Copper Alloy, Finish: 30 u" Gold min. over Nickel
- Connector can be front or rear mounted to a maximum panel thickness of 3.2 mm.
- IP67 rated when fully mated with appropriate mating connector
- Hardware shipped unassembled
- Recommended mounting torque is 8 to 10 lb-inch



Pin-Assignment

Type A Female	Type A Female
Pin1 ----- Pin1	Pin1 ----- Pin1
Pin2 ----- Pin2	Pin2 ----- Pin2
Pin3 ----- Pin3	Pin3 ----- Pin3
Pin4 ----- Pin4	Pin4 ----- Pin4
Shell ----- Shell	Shell ----- Shell

Directive 2002/95/EC RoHS Compliant

THIS DRAWING MAY NOT BE COPIED OR REPRODUCED IN ANY MANNER AND MAY NOT BE PASSED ON TO A THIRD PARTY WITHOUT WRITTEN PERMISSION. OWNERSHIP AND COPYRIGHT OF CONEC CORPORATION.	Customer:			Tolerance Unless otherwise specified			Scale:	Dim. in mm
	Name	Title	Approval Date	0 PLC ± 0.30	1 PLC ± 0.20		Autodesk Inventor	Material: See Notes
				2 PLC ± 0.10	3 PLC ± 0.05	2012 Date Name Draw. Sept. 27 Vincent Ke Appd. Sept. 27 J. Chaudry	IP67 USB Type A F/F Adaptor Receptacle (with Flange) Assembly Kit	
				ANGLES ± 1°	± 1°	Norm	Receptacle (with Flange) Assembly Kit Nickel Plated Zinc Die-Cast Version	
	c	1 x c	May/22/2013	Vincent ke	D-old		Drawing No.: 17K1A354	DIN A3
	b	1 x b	Mar/05/2013	Vincent Ke			Part No.: 17-210111	Sheet 1/1
	a	original						
	Rev.	Changes	Date	Name				

