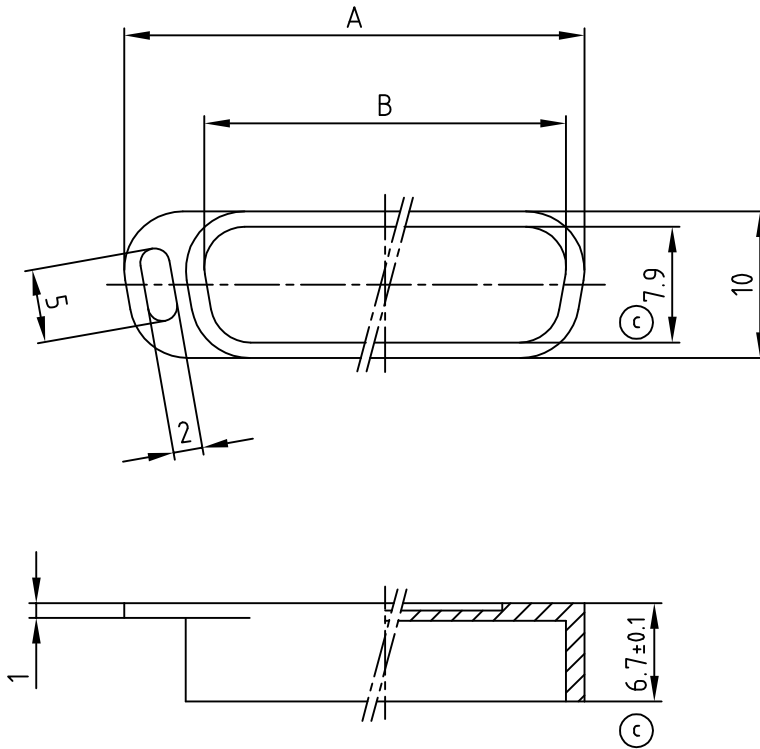


used for: D-SUB



(b) TO PREVENT DAMAGE AT LOW TEMPERATURES NO IMPACT OR EXTREM MECHANICAL LOAD SHOULD APPLIED TO THE CAP. MECHANICAL LOAD SHOULD BE APPLIED ABOVE 0° C

| POS. | A | B | Part No. |
|------|---------|---------|------------|
| 9 | 22.9 | (C)16.5 | 160X10449X |
| 15 | 31.4 | 24.7 | 160X10459X |
| 25 | (C)44.7 | (C)38.3 | 160X10469X |
| 37 | (C)61.2 | 54.5 | 160X10479X |

(b) NOTES:
 1. MATERIAL: PP, BLACK (d)
 2. TEMPERATURE RANGE: -30°C +80°C

THIS DRAWING MAY NOT BE COPIED OR REPRODUCED IN ANY WAY, AND MAY NOT BE PASSED ON TO A THIRD PARTY WITHOUT WRITTEN PERMISSION.
 OWNERSHIP AND COPYRIGHT OF CONEC GmbH
 DO NOT ALTER CAD DRAWING BY HAND

| tolerance | | DIN 16901 - 150 | | | |
|-----------|-------------|-----------------|---------|--------------------------------------------------|--|
| 1995 | date | name | | scale: 2:1 | |
| drawn | 18.07. | Barcinski | | material: (b) see notes | |
| appd. | 18.07. | Mickenbecker | | title: Dust cap for socket connector 9 - 37 pos. | |
| norm | | | | dwg no: AutoCADREL.10 DIN-A 4 | |
| 1 x d | Ä6491 | 30.01.2017 | E.Mick. | d-old | |
| 6 x c | Ä3858 | 23.12.2010 | E.Mick. | part no: SEE TABLE | |
| 3 x b | Ä 2150 | 17.01.2005 | Lehmen. | | |
| rev. | description | date | name | | |



16V11M5A

sh: 1/1