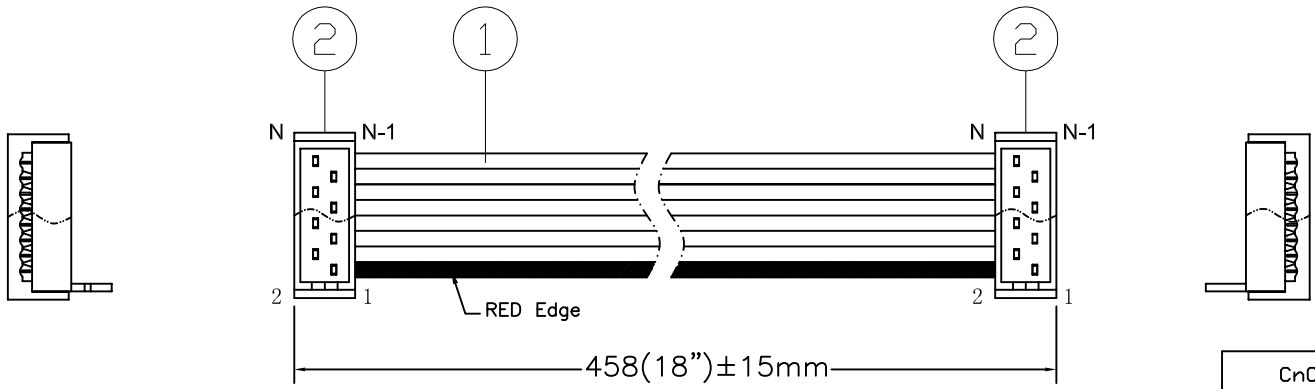
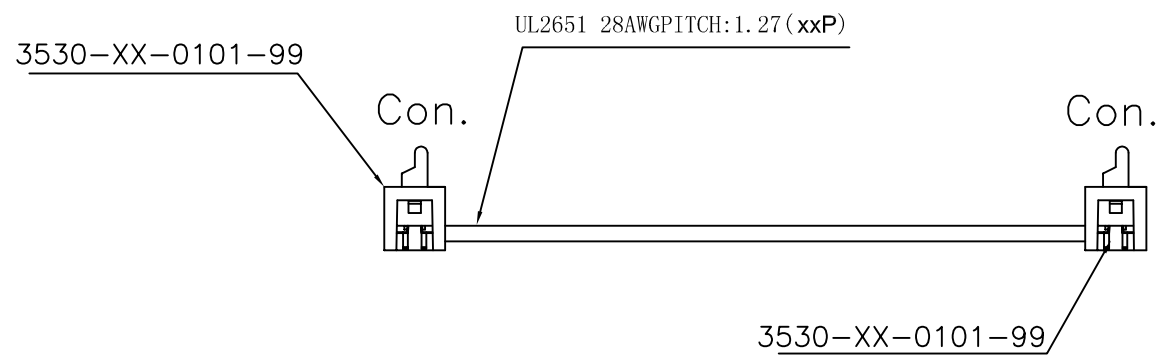


RoHS

REV.	DESCRIPTION	DATE
A	RELEASE	2019/02/06
A2		2019/04/18



CnC TECH	CABLE	CONNECTOR
PART NUMBER	PART NUMBER	PART NUMBER
353-28-04-GR-00018	302-28-04-GR-0XXXF	3530-04-0101-99 *2
353-28-06-GR-00018	302-28-06-GR-0XXXF	3530-06-0101-99 *2
353-28-08-GR-00018	302-28-08-GR-0XXXF	3530-08-0101-99 *2
353-28-10-GR-00018	302-28-10-GR-0XXXF	3530-10-0101-99 *2
353-28-12-GR-00018	302-28-12-GR-0XXXF	3530-12-0101-99 *2
353-28-14-GR-00018	302-28-14-GR-0XXXF	3530-14-0101-99 *2
353-28-16-GR-00018	302-28-16-GR-0XXXF	3530-16-0101-99 *2
353-28-18-GR-00018	302-28-18-GR-0XXXF	3530-18-0101-99 *2
353-28-20-GR-00018	302-28-20-GR-0XXXF	3530-20-0101-99 *2
353-28-22-GR-00018	302-28-22-GR-0XXXF	3530-22-0101-99 *2
353-28-24-GR-00018	302-28-24-GR-0XXXF	3530-24-0101-99 *2
353-28-26-GR-00018	302-28-26-GR-0XXXF	3530-26-0101-99 *2



ITEM	DESCRIPTION	COLOR	QTY	NOTE
1	FLAT RBN CBL ASSEMBLY GRAY ,302-28-XX-GR-0XXXF SERIES 28AWG PITCH 1.27mm, LENGTH 18 INCHES	GRAY	1	YB 28#
2	CONNECTOR, 3530-XX-0101-99 SERIES.PITCH 1.27mm	RED	2	YZ

UNLESS TOLERANCE	DRAW BY		CnC Tech,LLC
	DESIGN BY		
	CHECK BY		
	APPROVE BY		
	SCALE	SHEET	UNIT
	1:1	1/1	MM
DRW NO: 353-28-XX-GR-00018			REV: A2

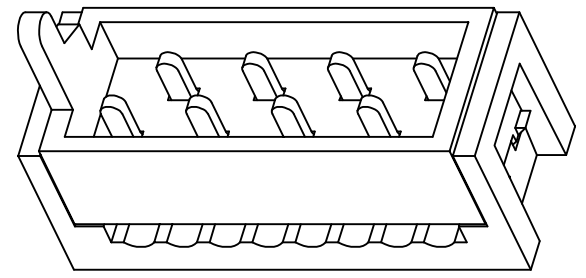
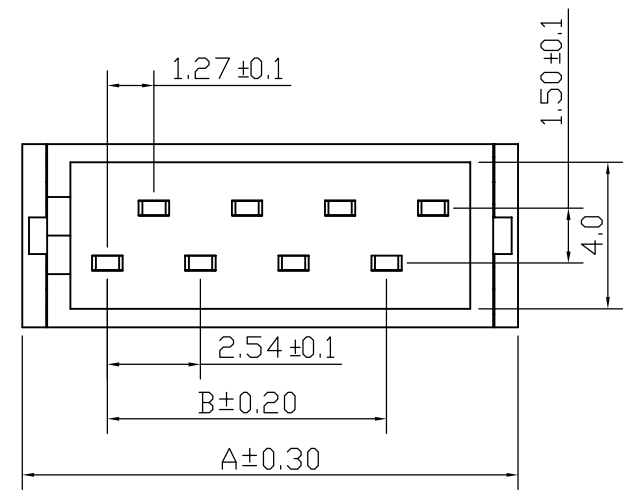
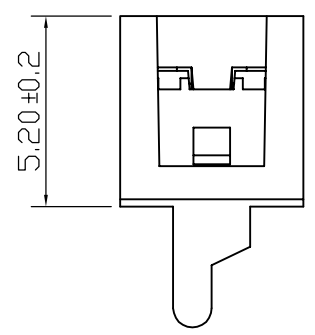
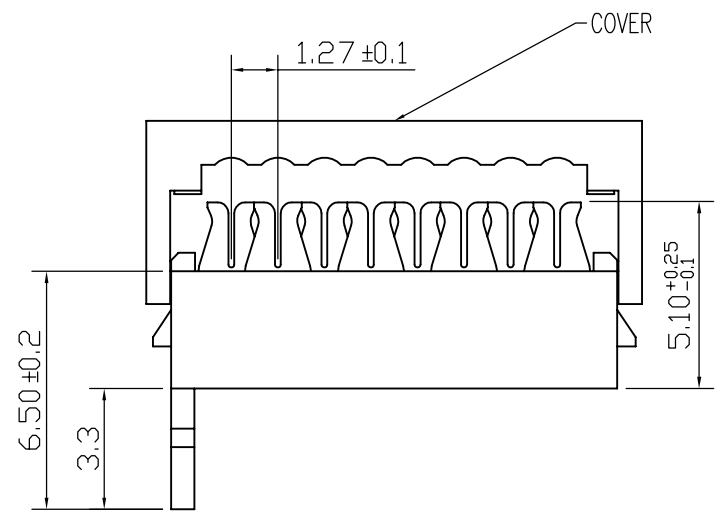
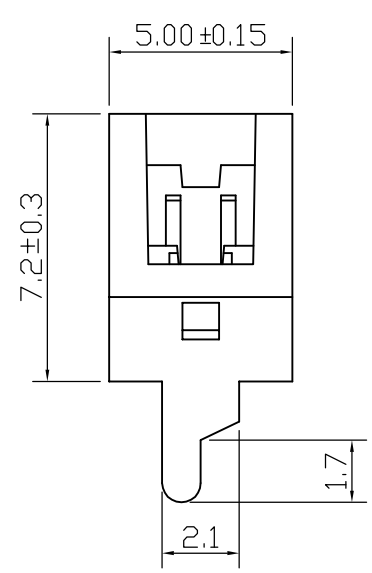
ITEM :
CABLE ASSEMBLY PLUG IDC XX POS. 18"

REV.	DESCRIPTION	DATE
A	RELEASE	2018/8/17

RoHS

MATERIAL&FINISH
 Insulator: PBT Glass Fiber(UL94V-0)
 Contact : Brass
 Contact : Sn Over Ni.

ELECTRICAL CHARACTERISTICS:
 Current Rating: 1 Amp
 Contact Resistance: 20mΩ Max
 Withstanding Voltage: 500V AC/Min
 Insulation Resistance: 1000MΩ Min
 Temperature Range: -40° C To+105° C



PART NUMBER	POLES	DIM.A	DIM.B	Q'ty/Tray
3530-04-0101-99	04	8.45	2.54	372
3530-06-0101-99	06	10.99	5.08	288
3530-08-0101-99	08	13.53	7.62	228
3530-10-0101-99	10	16.07	10.16	192
3530-12-0101-99	12	18.61	12.7	168
3530-14-0101-99	14	21.15	15.24	144
3530-16-0101-99	16	23.69	17.78	132
3530-18-0101-99	18	26.23	20.32	120
3530-20-0101-99	20	28.77	22.86	108
3530-22-0101-99	22	31.31	25.40	96
3530-24-0101-99	24	33.85	27.94	84
3530-26-0101-99	26	36.39	30.48	84

UNLESS TOLERANCE		DRAW BY	
GENERAL	ANGLE		
X. ± 0.38	X.' ± 3.0°	DESIGN BY	
.X ± 0.38	.X' ± 2.0°	CHECK BY	
.XX ± 0.25	.XX' ± 1.0°	APPROVE BY	
.XXX ± 0.10	.XXX' ± 0.5°	SCALE	SHEET UNIT
		1:1	1/1 MM

CnC Tech,LLC

ITEM : Male-on-Wire Connector

DRW NO: 3530-XX-0101-99 REV: A1