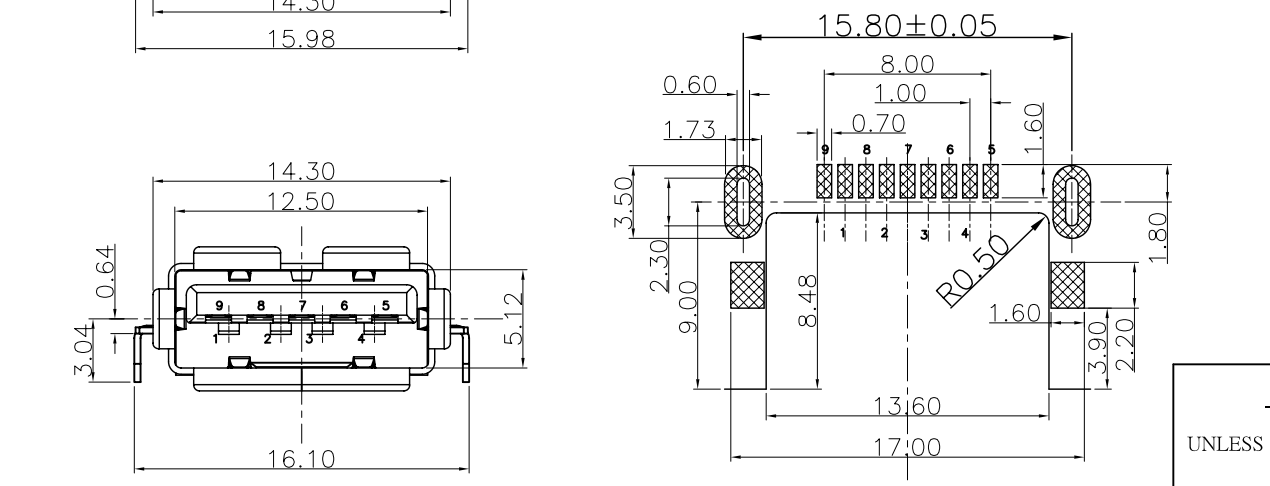
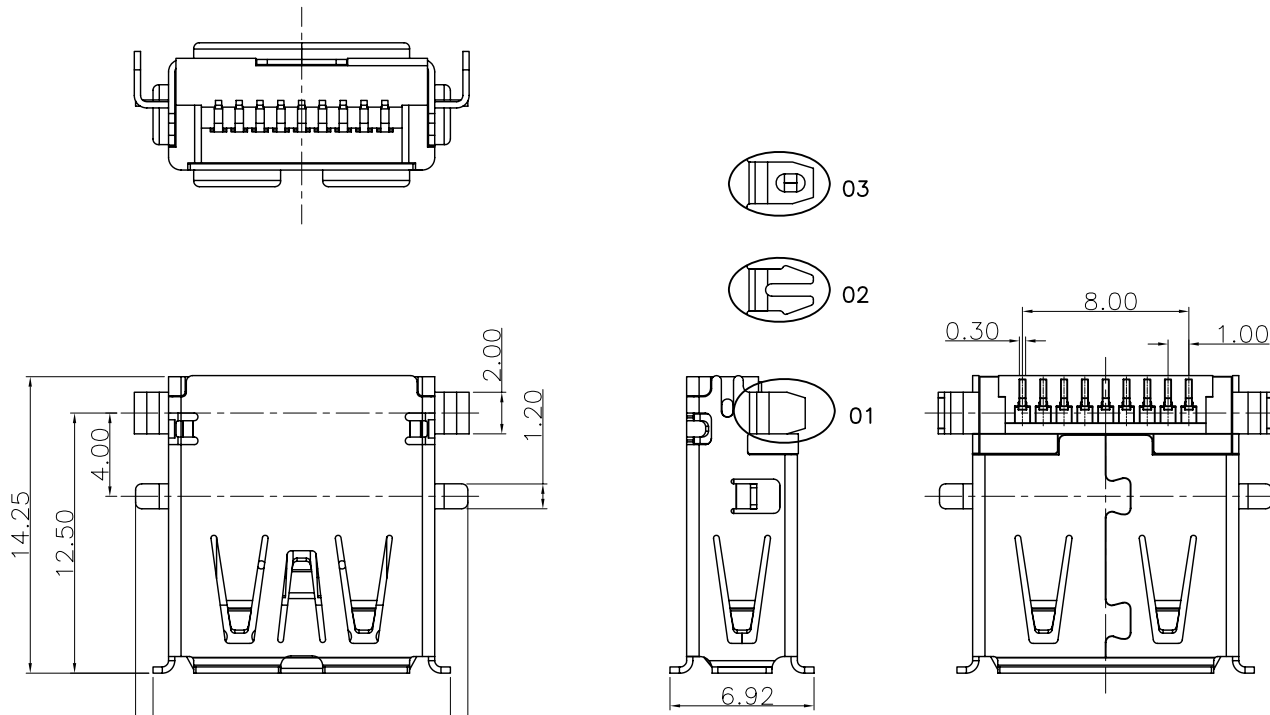


REV	ECN.NO:	B Y	DATE
A0	NEW DWG	ING	10/06/10

MATERIAL

- 1.1 HOUSING: LCP UL94V-0
- 1.2 CONTACT: BRASS(T=0.20MM)
- 1.3 SHELL: BRASS(T=0.30MM)
- 2. ELECTRICAL CHARACTERISTICS:
 - 2.1 CONTACT RESISTANCE: 30MΩ MAXIMUM
 - 2.2 CONTACT CURRENT RATING: 1.5A
 - 2.3 DIELECTRIC WITHSTANDING VOLTAGE: 500 V R.M.S
 - 2.4 INSULATION RESISTANCE 1000 MEGOHMS MIN.
 - 2.5 OPERATING TEMPERATURE: -40°C~85°C
- 3. MECHANICAL CHARACTERISTICS:
 - 3.1 MATING FORCE: 3.57KG MAX.
 - 3.2 UNMATED FORCE: 1.02KG MIN.
 - 3.3 DURABILITY: MANDATORY: 5000 CYCLES
- 4. PLATING
 - 4.1 TERMINAL: GOLD FLASH ALL OVER 50U" MIN. NICKEL AND 1U" MIN. TIN ALL OVER 50U" MIN NICKEL ON SOLDER AREA.
 - 4.2 SHELL: 150U" MIN NICKEL PLATING OVERALL.



Pin NUMBER	SIGNAL NAME
1	VBUS
2	D-
3	D+
4	GND
5	StdA_SSTX-
6	StdA_SSTX+
7	GND_DRAIN
8	StdA_SSRX-
9	StdA_SSRX+
Shell	Shield

-TOLERANCES- UNLESS OTHERWISE SPECIFIED		CnC Tech . LLC								
				TITLE: USB 3.0 A/F SMT 15U"						
X.X	±0.25	X.X°	±3.00°	APPD:		PRODUCT NO: 1003-002-01100				
X.XX	±0.20	X.XX°	±1.00°	CHECK:		DATE	SCALE	UNIT	TYPE	PAGE
X.XXX	±0.15	X.XXX°	±0.05°	DRAW:		2010.06.08	FREE	MM	Z	1

PCB LAYOUT