

NEW!

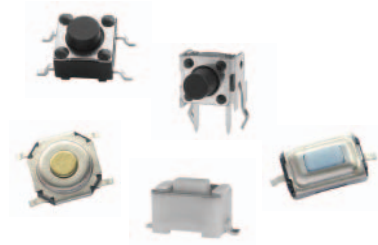
RS Series Tact Switches

Features/Benefits

- Broad range of products
- Extra long life cycles available
- Variety of operating forces and heights
- Thru-hole and SMT options
- Custom design available

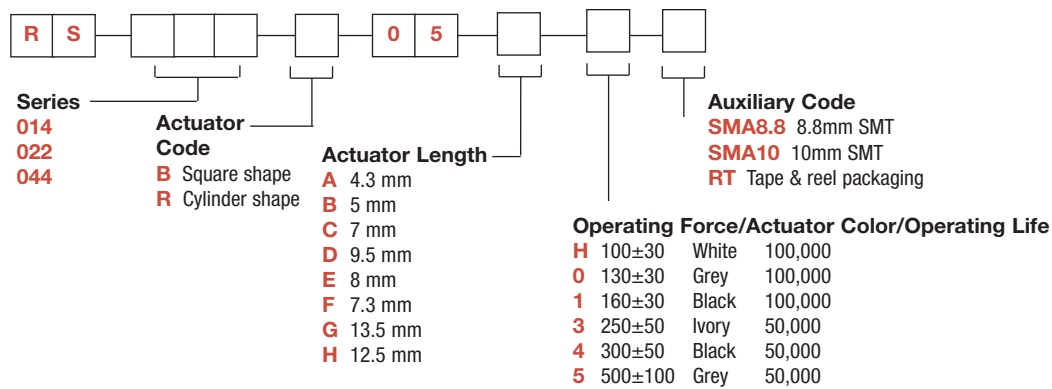
Typical Applications

- Consumer electronics
- Computer peripherals
- Household appliances
- Audio & visual equipment
- Automotive



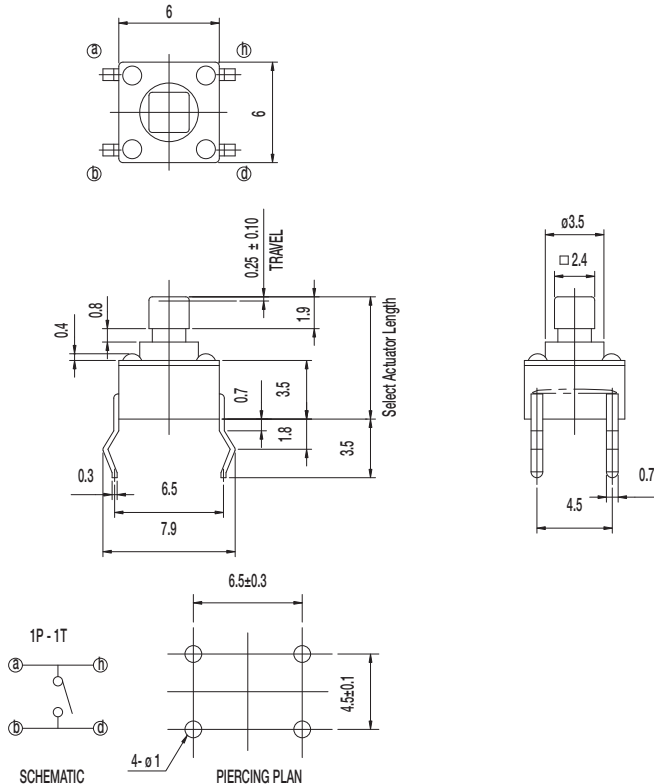
How To Order

Our easy build-a-switch concept allows you to mix and match options to create the switch you need. To order, select desired option from each category and place it in the appropriate box.



Tactile Switches

RS-014B05 Square Shape Actuator



Specifications

CONTACT RATING: 50mA @ 12 VDC
 INITIAL CONTACT RESISTANCE: 100 m ohms max.
 INSULATION RESISTANCE: 100 M ohms min.
 DIELECTRIC STRENGTH: 250 V AC (50-60 Hz) between open terminals and between the frame and terminal.
 RELEASING FORCE: 20gf min. (0.196N min.)
 TRAVEL: 0.25 ± 0.10 mm
 OPERATING TEMPERATURE: -20°C to 70°C

Materials

KNOB: PA
 COVER: SPCC
 HOUSING: PA
 SPRING PLATE: Silver clad
 TERMINAL: Silver plated

NOTE: Specifications and materials listed above are for switches with standard options. For information on specific and custom switches, please contact Customer Service.



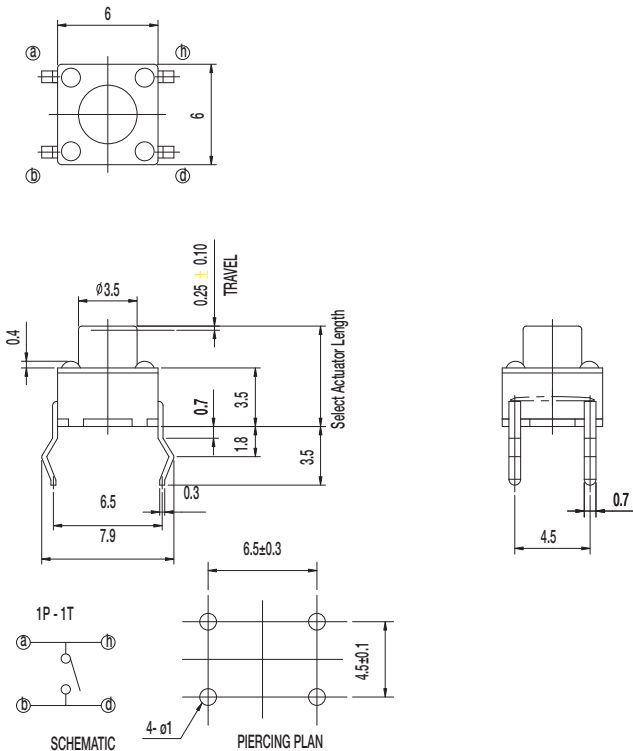
Dimensions are shown: mm
 Specifications and dimensions subject to change

RS Series Tact Switches

NEW!

RS-014R05 Cylinder Shape Actuator

Tactile Switches



Specifications

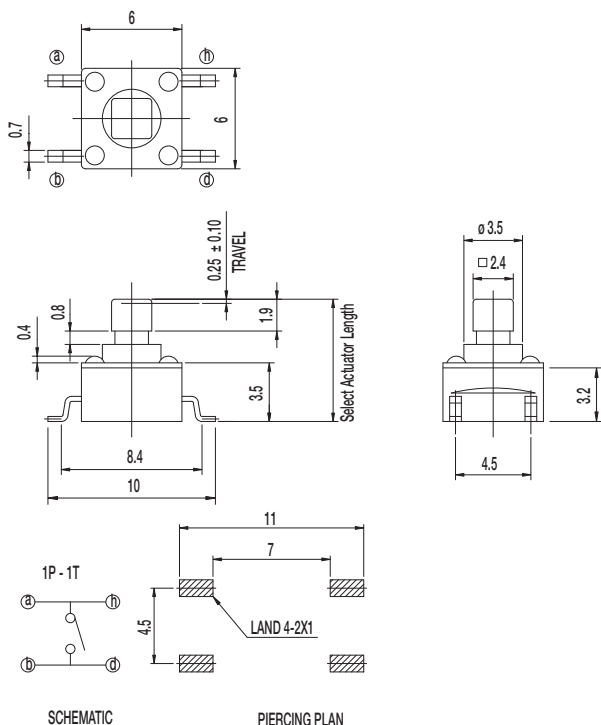
CONTACT RATING: 50mA @ 12 VDC
 INITIAL CONTACT RESISTANCE: 100 m ohms max.
 INSULATION RESISTANCE: 100 M ohms min.
 DIELECTRIC STRENGTH: 250 V AC (50-60 Hz) between open terminals and between the frame and terminal.
 RELEASING FORCE: 20gf min. (0.196N min.)
 TRAVEL: 0.25 ± 0.10 mm
 OPERATING TEMPERATURE: -20°C to 70°C

Materials

KNOB: PA
 COVER: SPCC
 HOUSING: PA
 SPRING PLATE: Silver clad
 TERMINAL: Silver plated

NOTE: Specifications and materials listed above are for switches with standard options. For information on specific and custom switches, please contact Customer Service.

RS-014B05 SMA Square Shape Actuator SMT



Specifications

CONTACT RATING: 50mA @ 12 VDC
 INITIAL CONTACT RESISTANCE: 100 m ohms max.
 INSULATION RESISTANCE: 100 M ohms min.
 DIELECTRIC STRENGTH: 250 V AC (50-60 Hz) between open terminals and between the frame and terminal.
 RELEASING FORCE: 20gf min. (0.2N min.)
 TRAVEL: 0.25 ± 0.10 mm
 OPERATING TEMPERATURE: -20°C to 70°C

Materials

KNOB: PA
 COVER: SPTE
 HOUSING: PA
 SPRING PLATE: Silver clad
 TERMINAL: Silver plated

NOTE: Specifications and materials listed above are for switches with standard options. For information on specific and custom switches, please contact Customer Service.

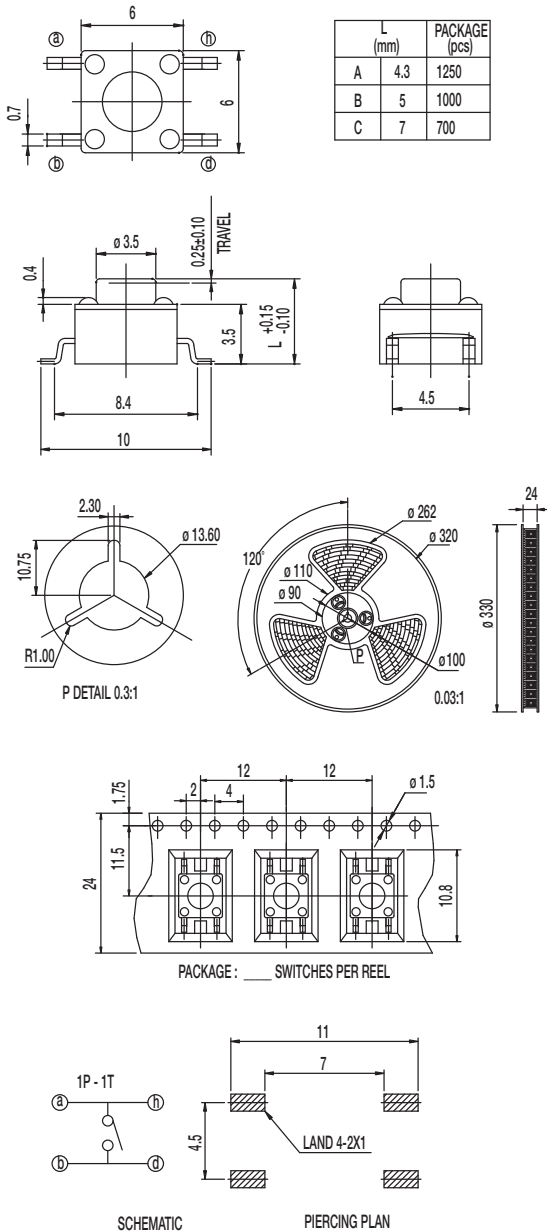


Dimensions are shown: mm
 Specifications and dimensions subject to change

NEW!

RS Series Tact Switches

RS-014R05 SMA RT Cylinder Shape Acuator SMT



Specifications

CONTACT RATING: 50mA @ 12 VDC
INITIAL CONTACT RESISTANCE: 100 m ohms max.
INSULATION RESISTANCE: 100 M ohms min.
DIELECTRIC STRENGTH: 250 V AC (50-60 Hz) between open terminals and between the frame and terminal.
OPERATING LIFE: 100,000 cycles with load
OPERATING FORCE: 160 ± 30 gf
RELEASING FORCE: 20gf min. (0.196N min.)
TRAVEL: 0.25 ± 0.10 mm
OPERATING TEMPERATURE: -20°C to 70°C

Materials

KNOB: PA
COVER: SPTE
HOUSING: PA
SPRING PLATE: Silver clad
TERMINAL: Silver plated

NOTE: Specifications and materials listed above are for switches with standard options. For information on specific and custom switches, please contact Customer Service.



B

Tactile Switches

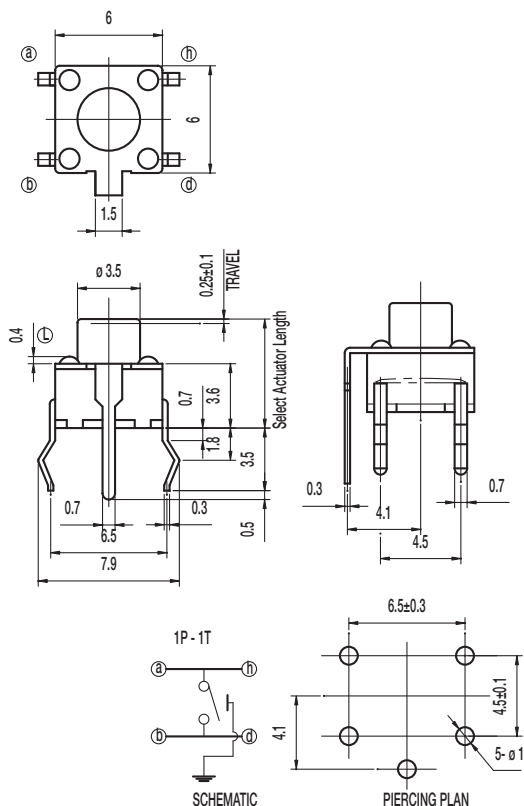
RS Series Tact Switches

NEW!

RS-044R05 Cylinder Shape Actuator THT

Tactile Switches

B



Specifications

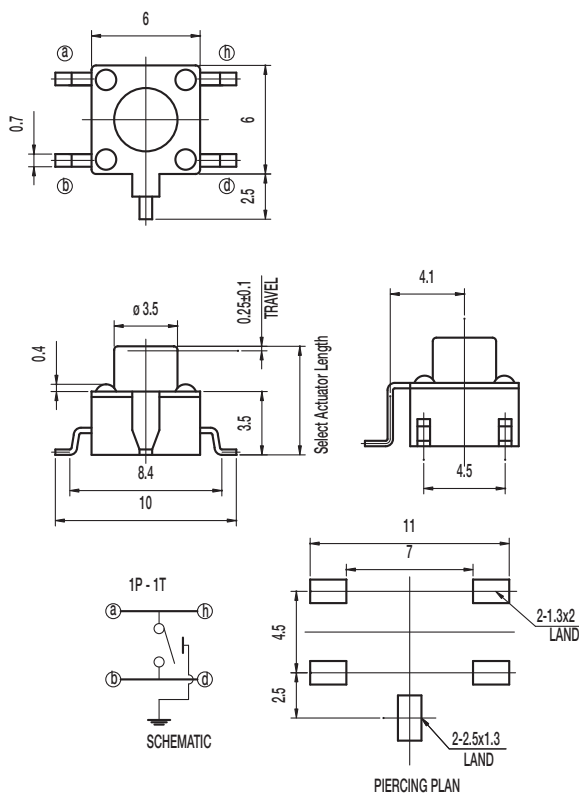
CONTACT RATING: 50mA @ 12 VDC
 INITIAL CONTACT RESISTANCE: 100 m ohms max.
 INSULATION RESISTANCE: 100 M ohms min.
 DIELECTRIC STRENGTH: 250 V AC (50-60 Hz) between open terminals and between the frame and terminal.
 RELEASING FORCE: 20gf min. (0.2N min.)
 TRAVEL: 0.25 ± 0.10 mm
 OPERATING TEMPERATURE: -20°C to 70°C

Materials

KNOB: PBT
 COVER: SPTE
 HOUSING: PBT
 SPRING PLATE: Silver clad
 TERMINAL: Silver plated

NOTE: Specifications and materials listed above are for switches with standard options. For information on specific and custom switches, please contact Customer Service.

RS-044R05 SMA Cylinder Shape Actuator SMT



Specifications

CONTACT RATING: 50mA @ 12 VDC
 INITIAL CONTACT RESISTANCE: 100 m ohms max.
 INSULATION RESISTANCE: 100 M ohms min.
 DIELECTRIC STRENGTH: 250 V AC (50-60 Hz) between open terminals and between the frame and terminal.
 RELEASING FORCE: 20gf min. (0.2N min.)
 TRAVEL: 0.25 ± 0.10 mm
 OPERATING TEMPERATURE: -20°C to 70°C

Materials

KNOB: PA
 COVER: SPTE
 HOUSING: PA
 SPRING PLATE: Silver clad
 TERMINAL: Silver plated

NOTE: Specifications and materials listed above are for switches with standard options. For information on specific and custom switches, please contact Customer Service.

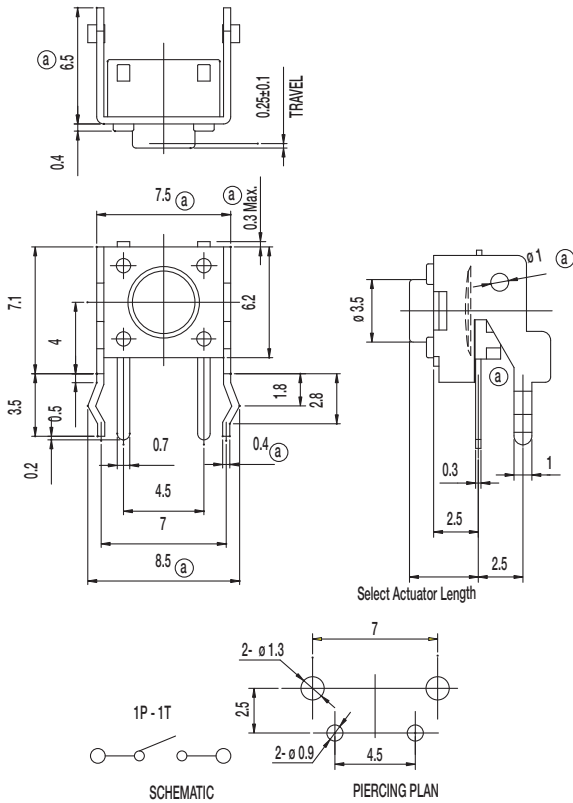


Dimensions are shown: mm
 Specifications and dimensions subject to change

NEW!

RS Series Tact Switches

RS-022R05



Specifications

CONTACT RATING: 50mA @ 12 VDC
INITIAL CONTACT RESISTANCE: 100 m ohms max.
INSULATION RESISTANCE: 100 M ohms min.
DIELECTRIC STRENGTH: 250 V AC (50-60 Hz) between open terminals and between the frame and terminal.
RELEASING FORCE: 20gf min. (0.196N min.)
TRAVEL: 0.25 ± 0.10 mm
OPERATING TEMPERATURE: -20°C to 80°C

Materials

KNOB: PA
COVER: SPTE
HOUSING: PA
SPRING PLATE: Silver clad
TERMINAL: Silver plated

NOTE: Specifications and materials listed above are for switches with standard options. For information on specific and custom switches, please contact Customer Service.

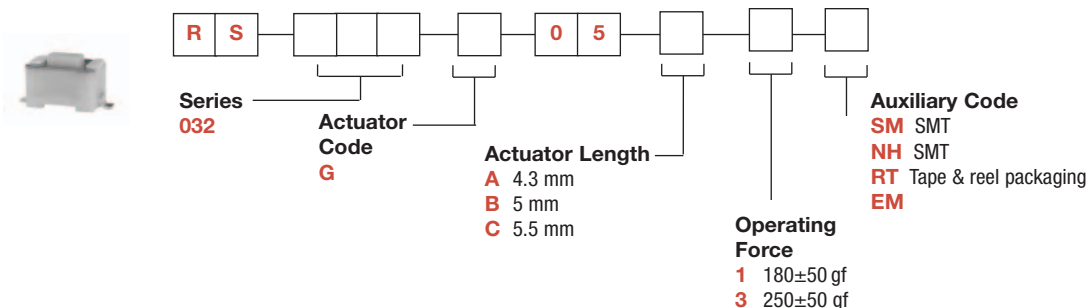


B

Tactile Switches

RS 032 Series Tact Switches

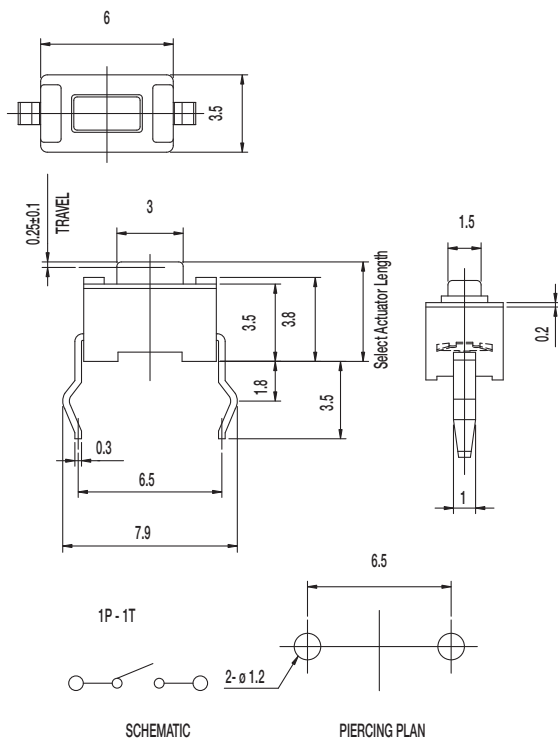
NEW!



Tactile Switches

B

RS-032G05



Specifications

CONTACT RATING: 50mA @ 12 VDC
 INITIAL CONTACT RESISTANCE: 100 m ohms max.
 INSULATION RESISTANCE: 100 M ohms min.
 DIELECTRIC STRENGTH: 250 V AC (50-60 Hz) between open terminals and between the frame and terminal.
 RELEASING FORCE: 20gf min. (0.196N min.)
 TRAVEL: 0.25 ± 0.10 mm
 OPERATING TEMPERATURE: -20°C to 70°C

Materials

KNOB: PA46
 COVER: SUS
 HOUSING: PA46
 SPRING PLATE: Silver clad
 TERMINAL: Silver plated

NOTE: Specifications and materials listed above are for switches with standard options. For information on specific and custom switches, please contact Customer Service.

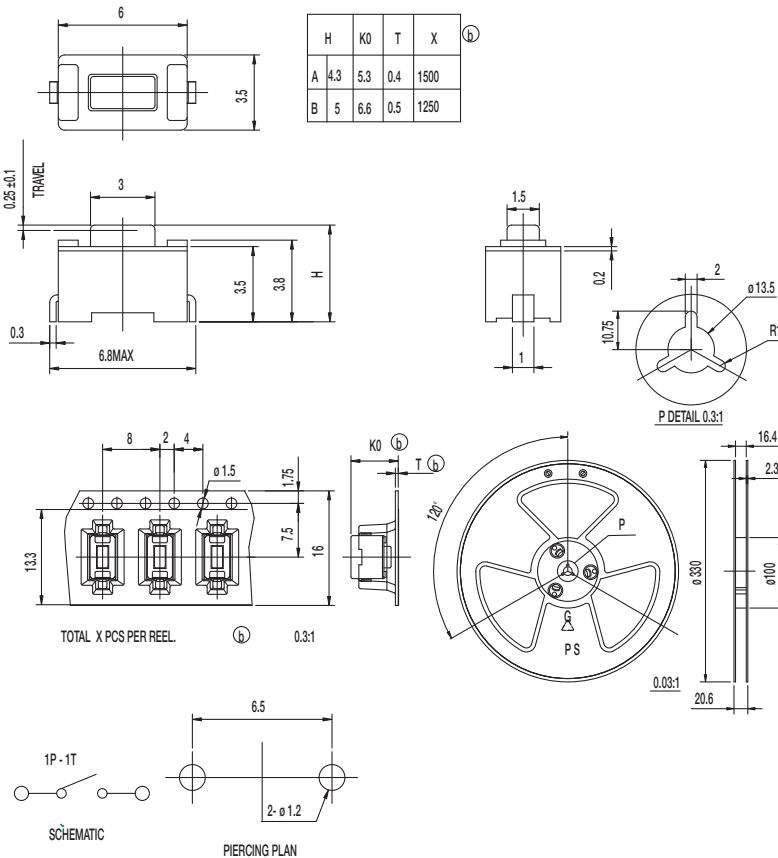


Dimensions are shown: mm
 Specifications and dimensions subject to change

NEW!

RS Series Tact Switches

RS-032G05 NH RT



Specifications

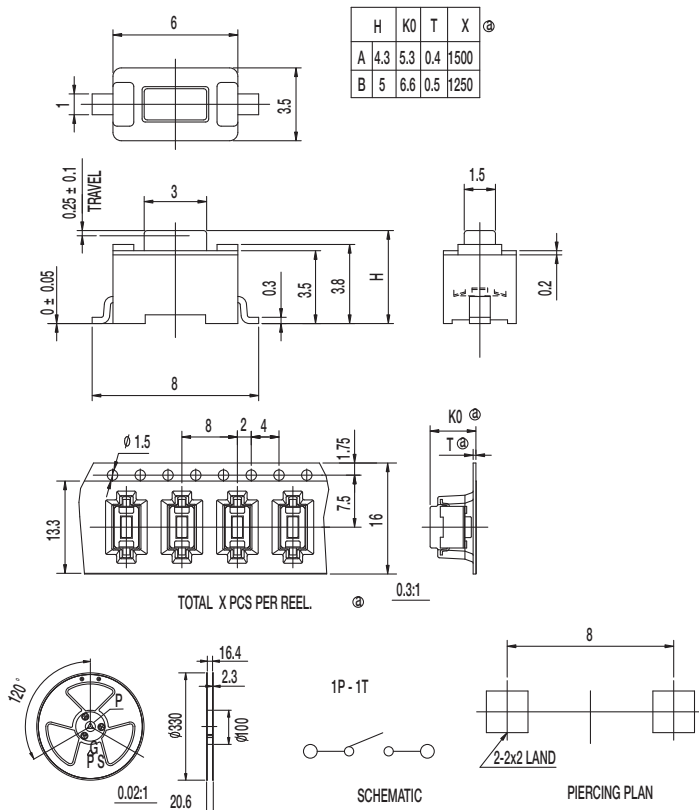
CONTACT RATING: 50mA @ 12 VDC
 INITIAL CONTACT RESISTANCE: 100 m ohms max.
 INSULATION RESISTANCE: 100 M ohms min.
 DIELECTRIC STRENGTH: 250 V AC (50-60 Hz) between open terminals and between the frame and terminal.
 OPERATING LIFE: 30,000 cycles with load
 OPERATING FORCE: 180 ± 50gf
 RELEASING FORCE: 20gf min. (0.2N min.)
 TRAVEL: 0.25 ± 0.10 mm
 OPERATING TEMPERATURE: -20°C to 70°C

Materials

KNOB: PA
 COVER: SUS
 HOUSING: PA
 SPRING PLATE: Silver clad
 TERMINAL: Silver plated

NOTE: Specifications and materials listed above are for switches with standard options. For information on specific and custom switches, please contact Customer Service.

RS-032G05 SM RT



Specifications

CONTACT RATING: 50mA @ 12 VDC
 INITIAL CONTACT RESISTANCE: 100 m ohms max.
 INSULATION RESISTANCE: 100 M ohms min.
 DIELECTRIC STRENGTH: 250 V AC (50-60 Hz) between open terminals and between the frame and terminal.
 OPERATING LIFE: 30,000 cycles with load
 OPERATING FORCE: 180 ± 50gf
 RELEASING FORCE: 20gf min. (0.2N min.)
 TRAVEL: 0.25 ± 0.10 mm
 OPERATING TEMPERATURE: -20°C to 70°C

Materials

KNOB: PA
 COVER: SUS
 HOUSING: PA
 SPRING PLATE: Silver clad
 TERMINAL: Silver plated

NOTE: Specifications and materials listed above are for switches with standard options. For information on specific and custom switches, please contact Customer Service.



Dimensions are shown: mm
 Specifications and dimensions subject to change

B

Tactile Switches



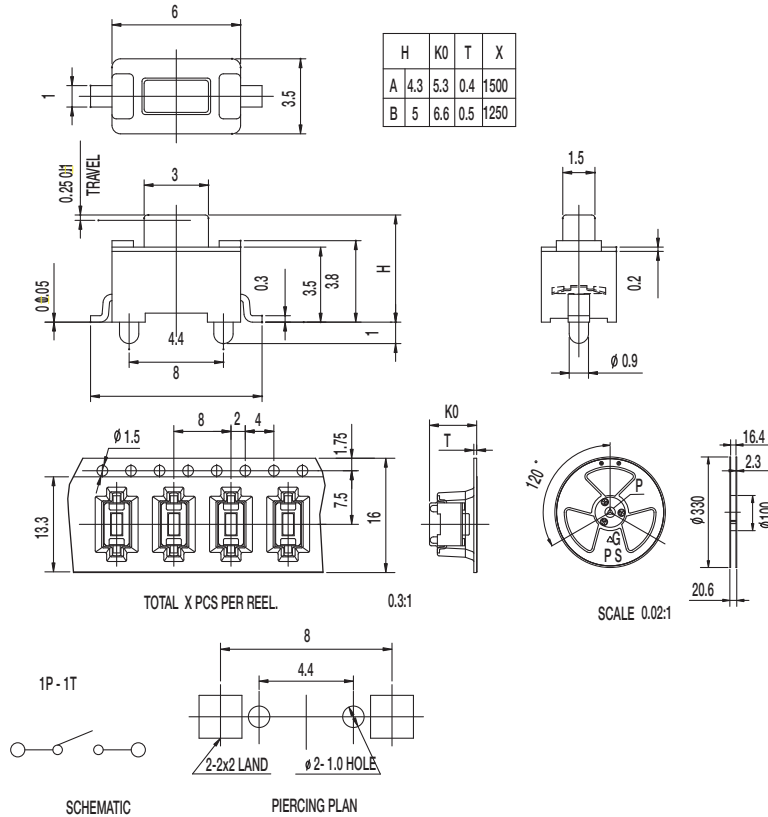
RS Series Tact Switches

NEW!

RS-032G05 SM EM RT

Tactile Switches

B



Specifications

CONTACT RATING: 50mA @ 12 VDC
 INITIAL CONTACT RESISTANCE: 100 m ohms max.
 INSULATION RESISTANCE: 100 M ohms min.
 DIELECTRIC STRENGTH: 250 V AC (50-60 Hz) between open terminals and between the frame and terminal.
 OPERATING LIFE: 30,000 cycles with load
 OPERATING FORCE: 180 ± 50gf
 RELEASING FORCE: 20gf min. (0.2N min.)
 TRAVEL: 0.25 ± 0.10 mm
 OPERATING TEMPERATURE: -20°C to 70°C

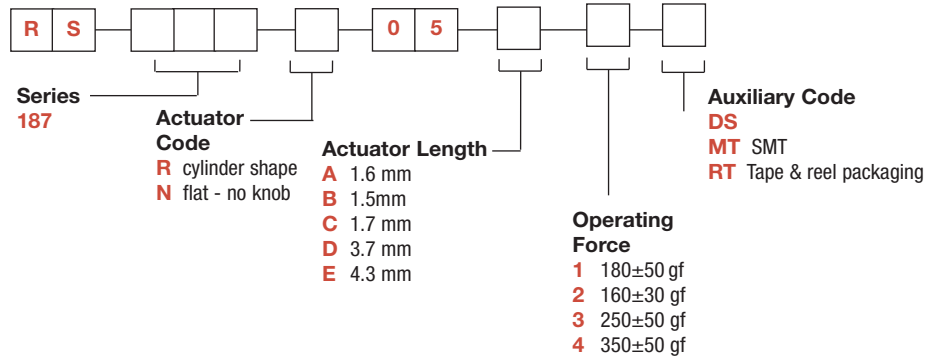
Materials

KNOB: PA
 COVER: SUS
 HOUSING: PA
 SPRING PLATE: Silver clad
 TERMINAL: Silver plated

NOTE: Specifications and materials listed above are for switches with standard options. For information on specific and custom switches, please contact Customer Service.

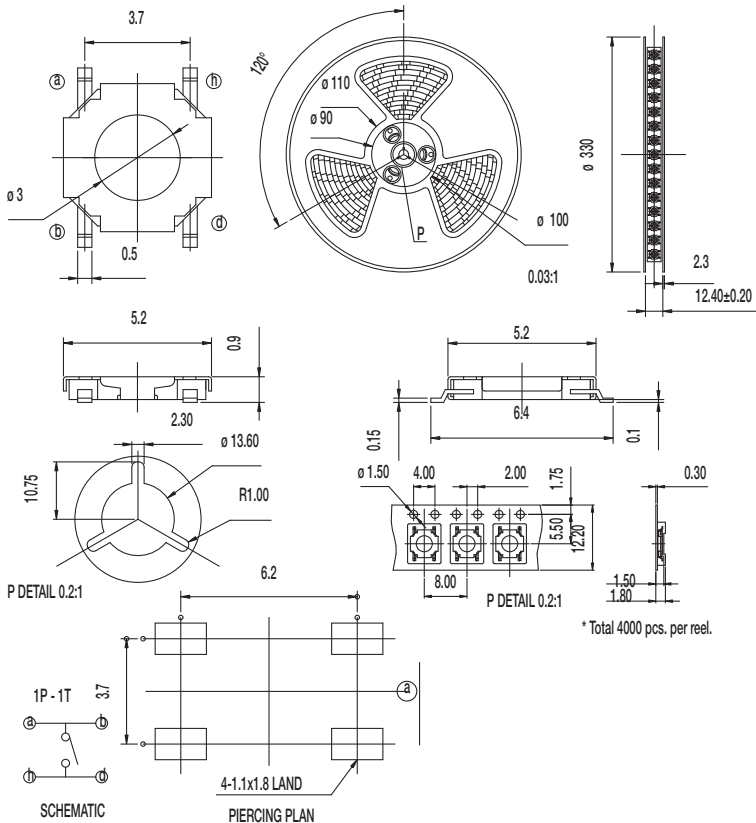
NEW!

RS Series Tact Switches



B
Tactile Switches

RS-187N05 DS RT



Specifications

CONTACT RATING: 50mA @ 12 VDC
 INITIAL CONTACT RESISTANCE: 100 m ohms max.
 INSULATION RESISTANCE: 100 M ohms min.
 DIELECTRIC STRENGTH: 250 V AC (50-60 Hz) between open terminals and between the frame and terminal.
 OPERATING LIFE: 100,000 cycles with load
 OPERATING FORCE: 180 ± 50gf (1.76 ± 0.49N)
 RELEASING FORCE: 20gf min. (0.2N min.)
 TRAVEL: 0.25 ± 0.10 mm
 OPERATING TEMPERATURE: -20°C to 70°C

Materials

COVER: SUS
 HOUSING: PA
 SPRING PLATE: Silver clad
 TERMINAL: Silver plated

NOTE: Specifications and materials listed above are for switches with standard options. For information on specific and custom switches, please contact Customer Service.



Dimensions are shown: mm
 Specifications and dimensions subject to change

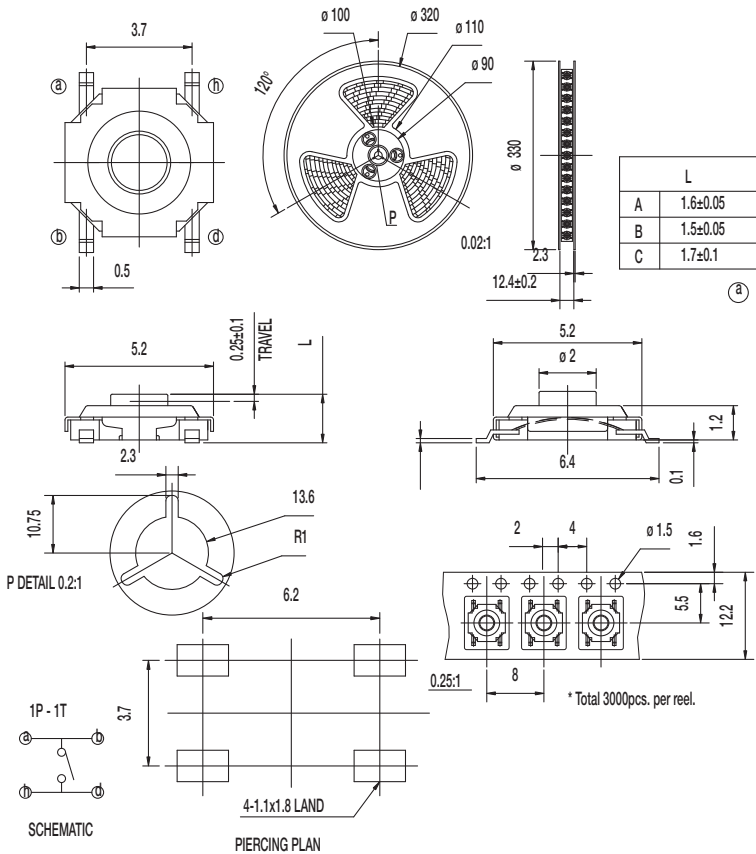
RS Series Tact Switches

NEW!

B

Tactile Switches

RS-187R05 DS MT RT



Specifications

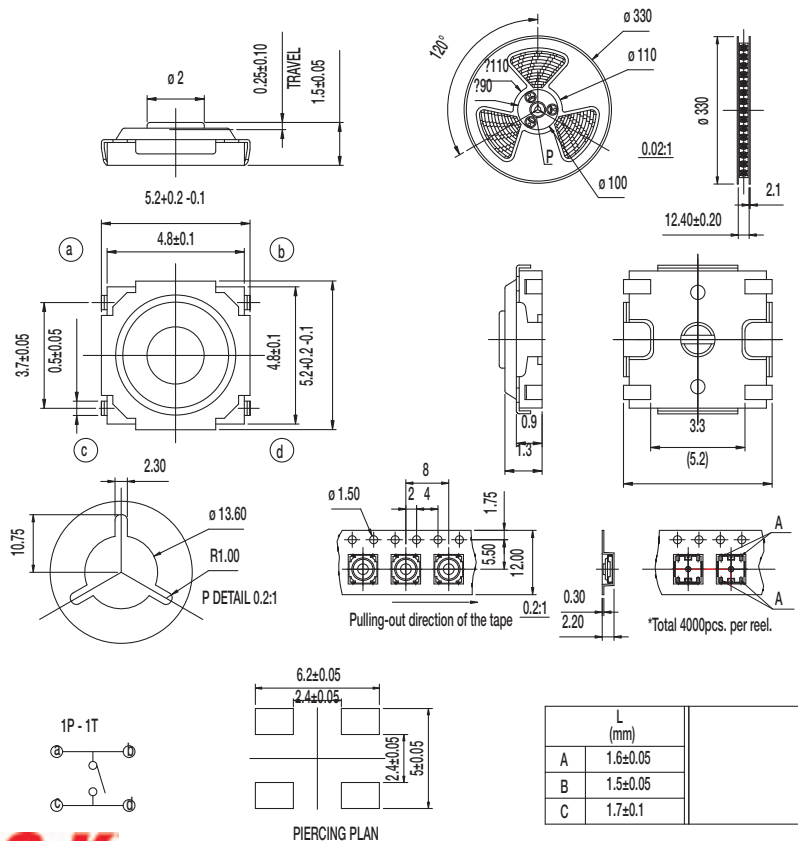
CONTACT RATING: 50mA @ 12 VDC
 INITIAL CONTACT RESISTANCE: 100 m ohms max.
 INSULATION RESISTANCE: 100 M ohms min.
 DIELECTRIC STRENGTH: 250 V AC (50-60 Hz) between open terminals and between the frame and terminal.
 OPERATING LIFE: 50,000 cycles with load
 OPERATING FORCE: 180 ± 50gf (1.76 ± 0.49N)
 RELEASING FORCE: 20gf min. (0.2N min.)
 TRAVEL: 0.25 ± 0.10 mm
 OPERATING TEMPERATURE: -20°C to 70°C

Materials

COVER: SUS
 HOUSING: PA
 SPRING PLATE: Silver clad
 TERMINAL: Silver plated

NOTE: Specifications and materials listed above are for switches with standard options. For information on specific and custom switches, please contact Customer Service.

RS-187R05B DS-MT U RT



Specifications

CONTACT RATING: 50mA @ 12 VDC
 INITIAL CONTACT RESISTANCE: 100 m ohms max.
 INSULATION RESISTANCE: 100 M ohms min.
 DIELECTRIC STRENGTH: 250 V AC (50-60 Hz) between open terminals and between the frame and terminal.
 OPERATING LIFE: 50,000 cycles with load
 OPERATING FORCE: 180 ± 50gf (1.764 ± 0.49N)
 RELEASING FORCE: 20gf min. (0.2N min.)
 TRAVEL: 0.25 ± 0.10 mm
 OPERATING TEMPERATURE: -20°C to 70°C

Materials

KNOB: C2680R
 COVER: SUS
 HOUSING: PA
 SPRING PLATE: Silver clad
 TERMINAL: Silver plated

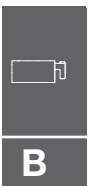
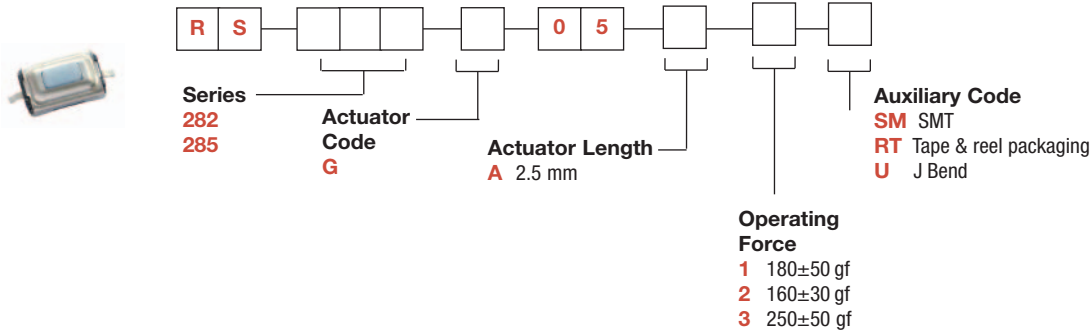
NOTE: Specifications and materials listed above are for switches with standard options. For information on specific and custom switches, please contact Customer Service.



Dimensions are shown: mm
 Specifications and dimensions subject to change

NEW!

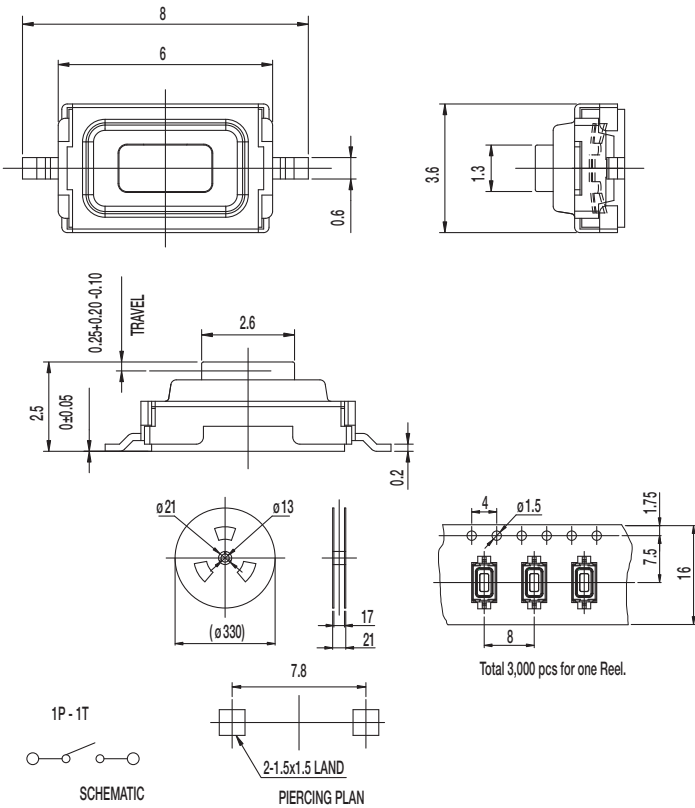
RS Series Tact Switches



B

Tactile Switches

RS-282G05 SM RT



Specifications

- CONTACT RATING: 50mA @ 12 VDC
- INITIAL CONTACT RESISTANCE: 100 m ohms max.
- INSULATION RESISTANCE: 100 M ohms min.
- DIELECTRIC STRENGTH: 250 V AC (50-60 Hz) between open terminals and between the frame and terminal.
- OPERATING LIFE: 50,000 cycles with load
- OPERATING FORCE: 250 ± 50gf
- RELEASING FORCE: 20gf min. (0.2N min.)
- TRAVEL: 0.25 ± 0.10 mm
- OPERATING TEMPERATURE: -20°C to 70°C

Materials

- KNOB: PA
- COVER: SUS
- HOUSING: PA
- SPRING PLATE: Silver clad
- TERMINAL: Silver plated

NOTE: Specifications and materials listed above are for switches with standard options. For information on specific and custom switches, please contact Customer Service.



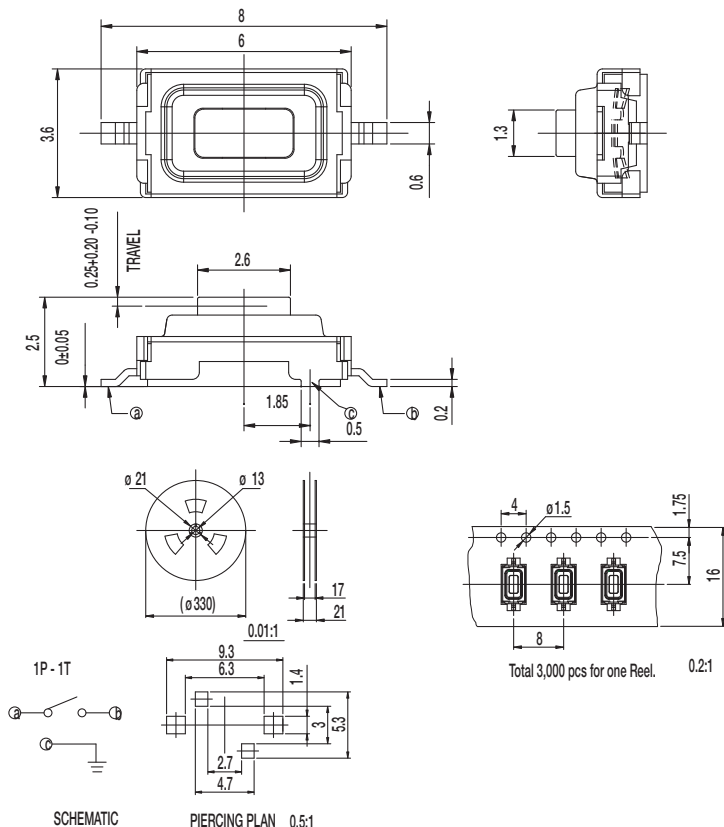
Dimensions are shown: mm
Specifications and dimensions subject to change

RS Series Tact Switches

NEW!

RS-285G05 SM RT

Tactile Switches



Specifications

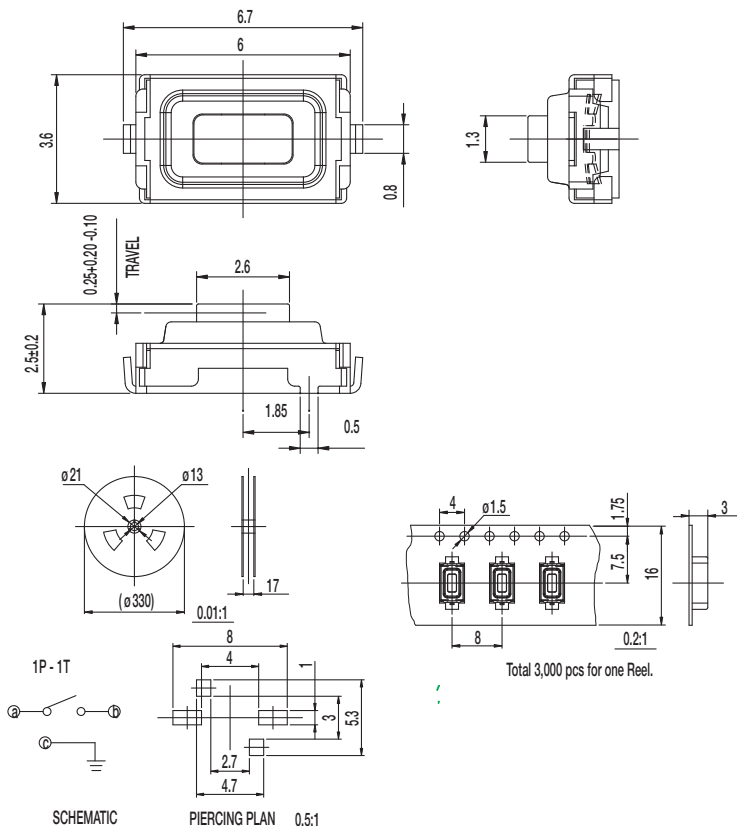
- CONTACT RATING: 50mA @ 12 VDC
- INITIAL CONTACT RESISTANCE: 100 m ohms max.
- INSULATION RESISTANCE: 100 M ohms min.
- DIELECTRIC STRENGTH: 250 V AC (50-60 Hz) between open terminals and between the frame and terminal.
- OPERATING LIFE: 50,000 cycles with load
- OPERATING FORCE: 180 ± 50gf (1.76 ± 0.49N)
- RELEASING FORCE: 20gf min. (0.2N min.)
- TRAVEL: 0.25 ± 0.10 mm
- OPERATING TEMPERATURE: -20°C to 70°C

Materials

- KNOB: PA
- COVER: SUS
- HOUSING: PA
- SPRING PLATE: Silver clad
- TERMINAL: Silver plated

NOTE: Specifications and materials listed above are for switches with standard options. For information on specific and custom switches, please contact Customer Service.

RS-285G05 U RT



Specifications

- CONTACT RATING: 50mA @ 12 VDC
- INITIAL CONTACT RESISTANCE: 100 m ohms max.
- INSULATION RESISTANCE: 100 M ohms min.
- DIELECTRIC STRENGTH: 250 V AC (50-60 Hz) between open terminals and between the frame and terminal.
- OPERATING LIFE: 100,000 cycles with load
- OPERATING FORCE: 160 ± 50gf
- RELEASING FORCE: 50gf min.
- TRAVEL: 0.25 ± 0.10 mm
- OPERATING TEMPERATURE: -20°C to 70°C

Materials

- COVER: SUS
- HOUSING: PA
- SPRING PLATE: Silver clad
- TERMINAL: Silver plated

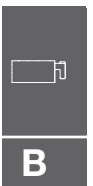
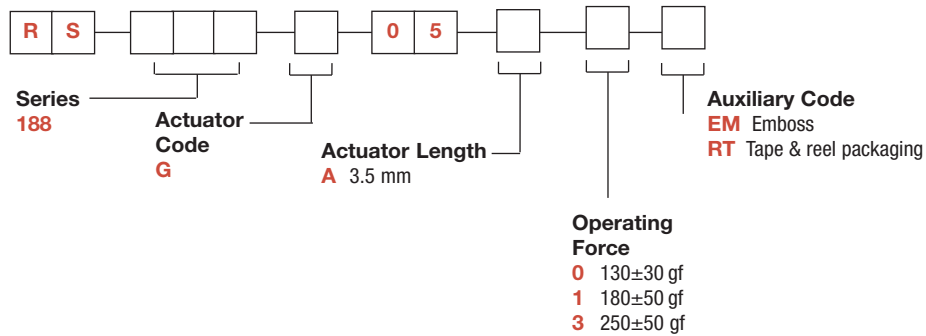
NOTE: Specifications and materials listed above are for switches with standard options. For information on specific and custom switches, please contact Customer Service.



Dimensions are shown: mm
Specifications and dimensions subject to change

NEW!

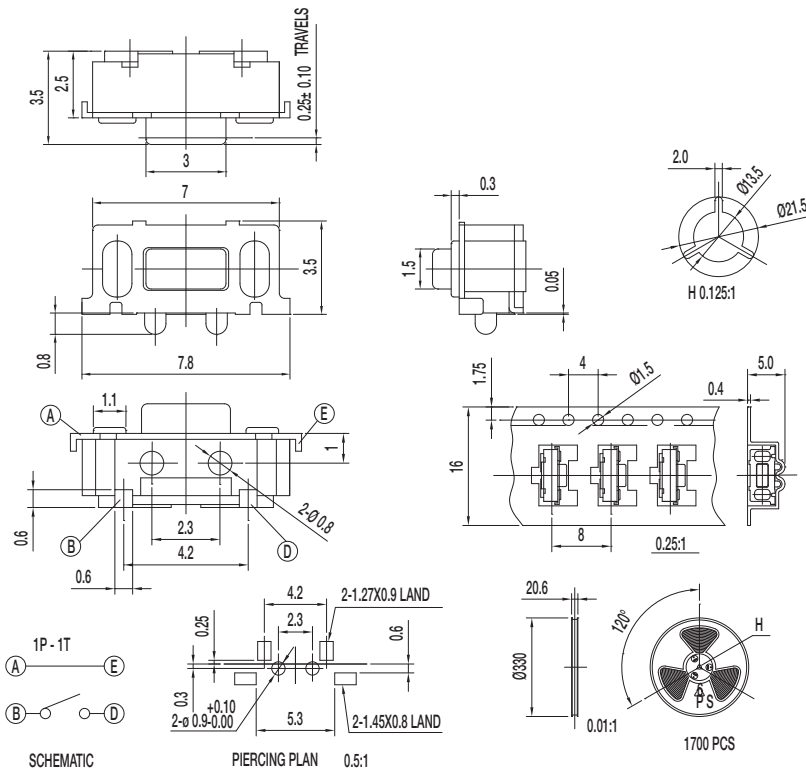
RS Series Tact Switches



B

Tactile Switches

RS-188G05A EM RT



Specifications

- CONTACT RATING: 50mA @ 12 VDC
- INITIAL CONTACT RESISTANCE: 100 m ohms max.
- INSULATION RESISTANCE: 100 M ohms min.
- DIELECTRIC STRENGTH: 250 V AC (50-60 Hz) between open terminals and between the frame and terminal.
- OPERATING LIFE: 30,000 cycles with load
- OPERATING FORCE: 180 ± 50gf
- RELEASING FORCE: 20gf min. (0.2N min.)
- TRAVEL: 0.25 ± 0.10 mm
- OPERATING TEMPERATURE: -20°C to 70°C

Materials

- KNOB: PA
- COVER: SPTe
- HOUSING: PA
- SPRING PLATE: SUS
- TERMINAL: Silver plated

NOTE: Specifications and materials listed above are for switches with standard options. For information on specific and custom switches, please contact Customer Service.



Dimensions are shown: mm
Specifications and dimensions subject to change