

KSA & KSL Series Sealed Tact Switch

Features/Benefits

- Designed for automatic or manual insertion
- Cambered terminals to ensure self retention
- Top or side actuated
- Washable option available
- Large choice of caps

Typical Applications

- Automotive
- Industrial
- Telecommunication networks



Specification

CONTACT ARRANGEMENT: SPST, N.O.
DOUBLE OVERMOLDING ON TERMINAL
MEMBRANE SEALING
TERMINALS: PC pins, ground pin optional

Mechanical

Type	Actuation force N (grams)	Operating life (operations)	Travel to make
KSA0M211	1.3 (130)	500,000	0,5 ± 0,2
KSA0M311	1.3 (130)	1,000,000	0,5 ± 0,2
KSA0M411	3.0 (300)	100,000	0,6 ± 0,2
KSA0M511	5.0 (500)	100,000	0,7 ± 0,2
KSA0M911	3.0 (300)	500,000	0,6 ± 0,2
KSL0M211	1.3 (130)	500,000	0,5 ± 0,2
KSL0M311	1.3 (130)	1,000,000	0,5 ± 0,2
KSL0M411	3.0 (300)	100,000	0,6 ± 0,2
KSL0M511	5.0 (500)	100,000	0,7 ± 0,2
KSL0M911	3.0 (300)	500,000	0,6 ± 0,2

NOTE: Part numbers listed above do not represent all possible configurations. For information on specific and custom switches, consult Customer Service Center.

Electrical

	Silver	Gold
MAXIMUM POWER:	1 VA	0.2 VA
MAXIMUM VOLTAGE:	50 VDC	50 VDC
MINIMUM VOLTAGE:	20 mV	20 mV
MAXIMUM CURRENT:	50 mA	10 mA
MINIMUM CURRENT:	1 mA	1 mA

DIELECTRIC STRENGTH: 300 Vrms
CONTACT RESISTANCE: < 50 mΩ
INSULATION RESISTANCE (100 V): > 10¹¹ Ω
BOUNCE TIME: < 1 ms

Environmental

	Silver	Gold
OPERATING TEMPERATURE:	-40°C to 90°C	-40°C to 125°C
STORAGE TEMPERATURE:	-40°C to 90°C	-55°C to 125°C

Process

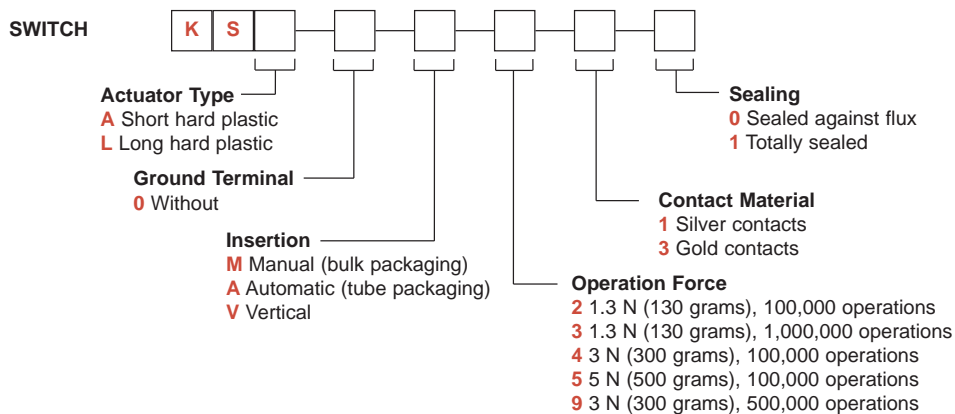
Wave soldering EIA-RS448-2

Packaging

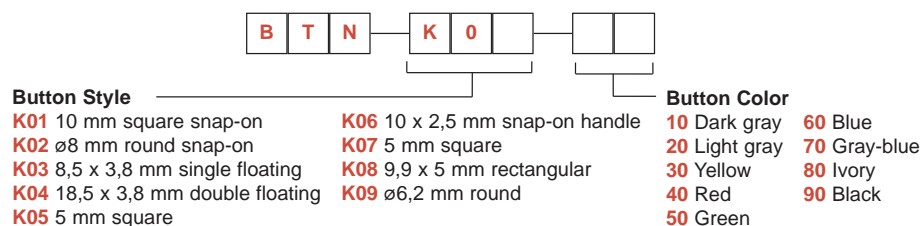
Can be delivered in tubes of 65 pieces for automatic insertion or in boxes of 500 pieces for manual insertion (250 pieces for KSL, KSLV, KSAV).

How To Order

Our easy build-a-switch concept allows you to mix and match options to create the switch you need. To order, select desired option from each category and place it in the appropriate box.



BUTTONS Buttons must be ordered separately and will be supplied in bulk.

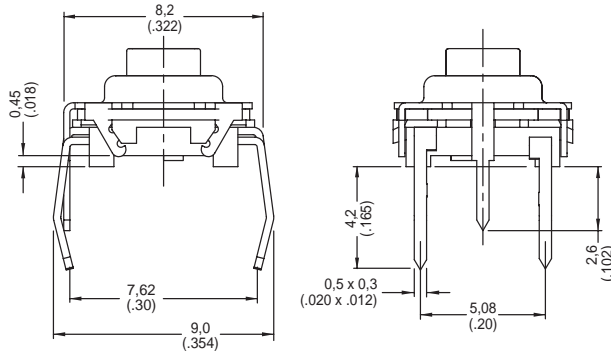


KSA & KSL Series Sealed Tact Switch

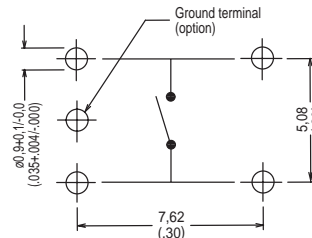
INSERTION

M MANUAL (bulk packaging)

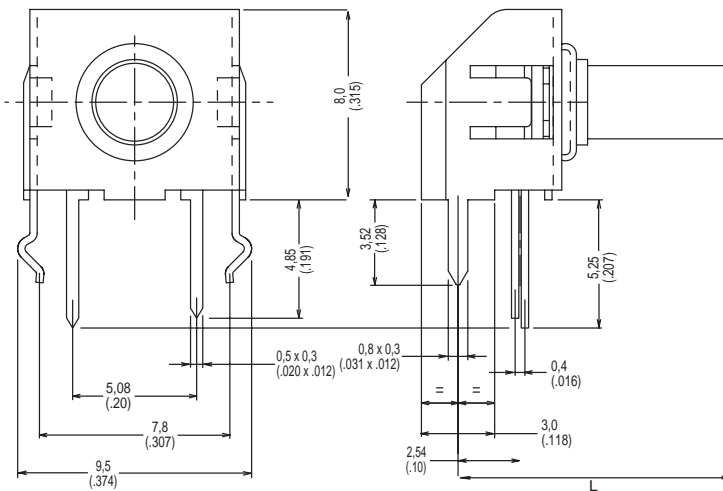
A AUTOMATIC (tube packaging, 65 pieces per tube)



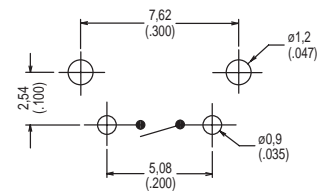
PCB LAYOUT



V VERTICAL



PCB LAYOUT



Dimension L

Type	L mm	inch
KSAOV	5,8	.228
KSLOV	11,1	.437

B

Tactile Switches

OPERATING FORCE

OPTION CODE	OPERATING FORCE
2	1.3 N (130 grams) 100,000 operations
3	1.3 N (130 grams) 1,000,000 operations
4	3.0 N (300 grams) 100,000 operations
5	5.0 N (500 grams) 100,000 operations
9	3.0 N (300 grams) 500,000 operations



Dimensions are shown: mm (inch)
Dimensions subject to change

KSA & KSL Series Sealed Tact Switch

CONTACT MATERIAL

OPTION CODE	CONTACT MATERIAL
1	Silver contacts
3	Gold contacts

SEALING

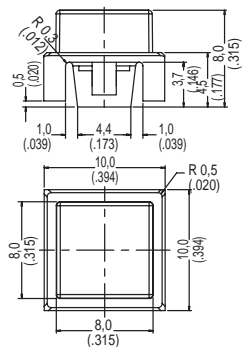
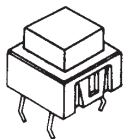
OPTION CODE	SEALING
0	Sealed against flux
1	Totally sealed

BUTTONS

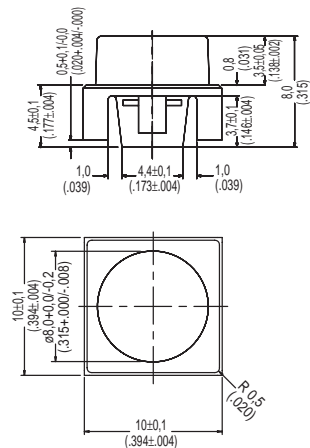
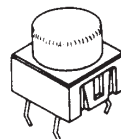
Buttons must be ordered separately and will be supplied in bulk.

BUTTON TYPE	KSA	KSL	KSAV	KSLV
K01	X			
K02	X			
K03	X	X	X	X
K04	X	X	X	X
K05		X		X
K06	X			
K07		X		X
K08		X		X
K09		X		X

K01



K02

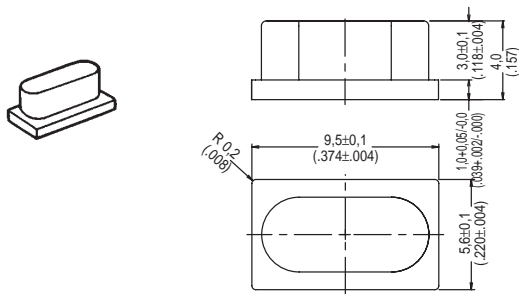


B

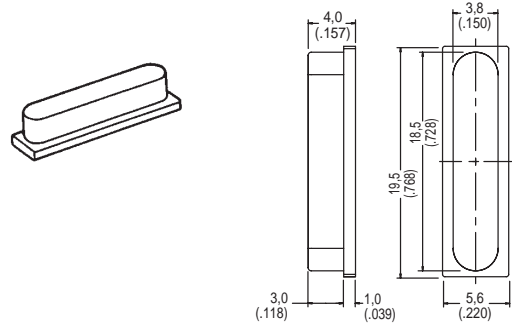
Tactile Switches

KSA & KSL Series Sealed Tact Switch

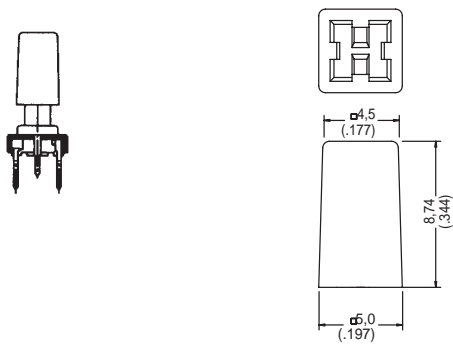
K03



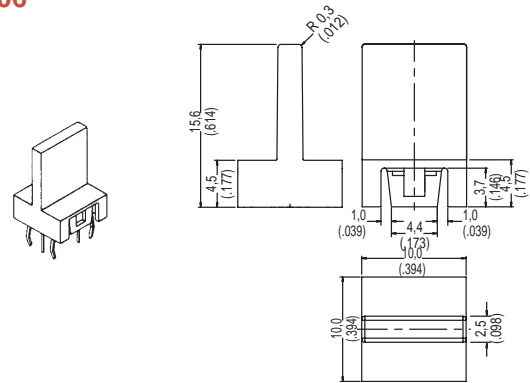
K04



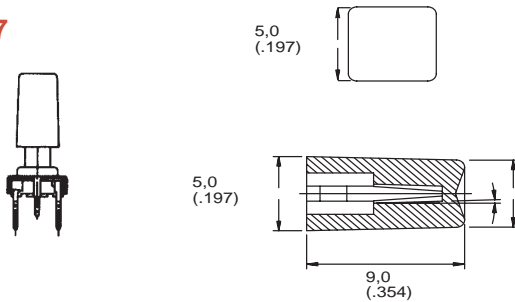
K05



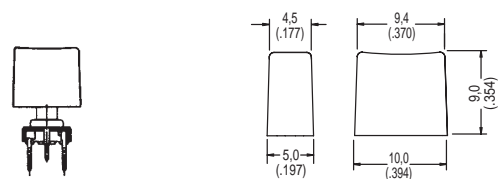
K06



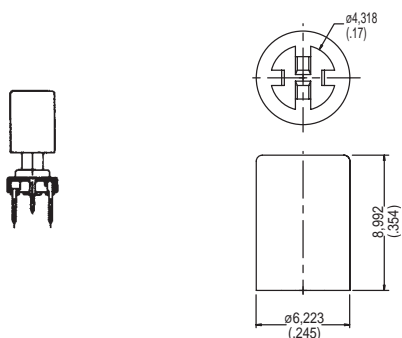
K07



K08



K09



B

Tactile Switches