

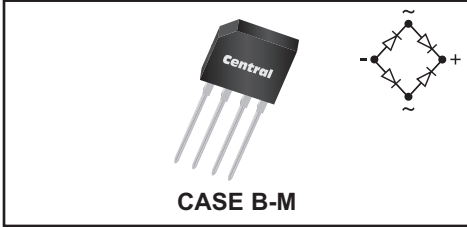
CBR2-L010M SERIES
SILICON BRIDGE RECTIFIERS



www.centrasemi.com

DESCRIPTION:

The CENTRAL SEMICONDUCTOR CBR2-L010M series types are silicon single phase, full wave bridge rectifiers designed for general purpose applications.



MARKING: FULL PART NUMBER

MAXIMUM RATINGS: ($T_A=25^\circ\text{C}$ unless otherwise noted)

| | SYMBOL | CBR2 | | | | | | UNITS |
|--|----------------|--------|--------|-------------|--------|--------|--------|------------------|
| | | -L010M | -L020M | -L040M | -L060M | -L080M | -L100M | |
| Peak Repetitive Reverse Voltage | V_{RRM} | 100 | 200 | 400 | 600 | 800 | 1000 | V |
| DC Blocking Voltage | V_R | 100 | 200 | 400 | 600 | 800 | 1000 | V |
| RMS Reverse Voltage | $V_{R(RMS)}$ | 70 | 140 | 280 | 420 | 560 | 700 | V |
| Average Forward Current ($T_A=55^\circ\text{C}$) | I_O | | | | 2.0 | | | A |
| Peak Forward Surge Current | I_{FSM} | | | | 60 | | | A |
| Operating and Storage Junction Temperature | T_J, T_{stg} | | | -65 to +150 | | | | $^\circ\text{C}$ |

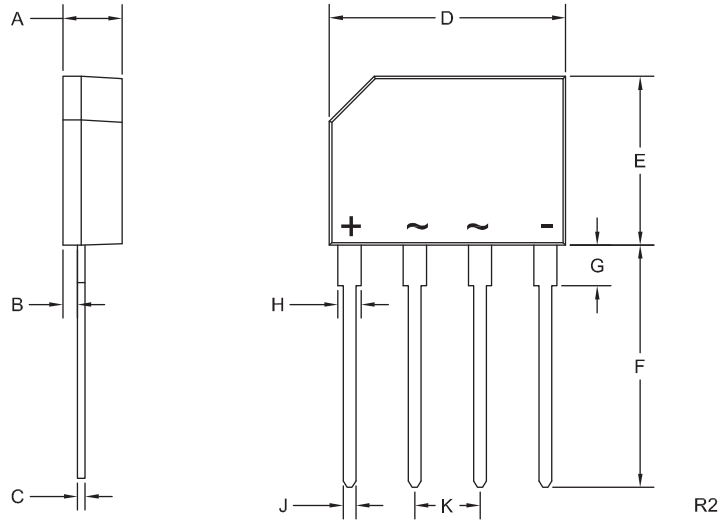
ELECTRICAL CHARACTERISTICS PER DIODE: ($T_A=25^\circ\text{C}$ unless otherwise noted)

| SYMBOL | TEST CONDITIONS | MIN | MAX | UNITS |
|--------|--|-----|-----|---------------|
| I_R | $V_R=\text{Rated } V_{RRM}$ | | 10 | μA |
| I_R | $V_R=\text{Rated } V_{RRM}, T_A=125^\circ\text{C}$ | | 500 | μA |
| V_F | $I_F=2.0\text{A}$ | | 1.1 | V |

CBR2-L010M SERIES
SILICON BRIDGE RECTIFIERS



CASE B-M - MECHANICAL OUTLINE



MARKING:
FULL PART NUMBER

| SYMBOL | INCHES | | MILLIMETERS | |
|--------|--------|-------|-------------|-------|
| | MIN | MAX | MIN | MAX |
| A | 0.132 | 0.144 | 3.35 | 3.65 |
| B | 0.027 | 0.043 | 0.70 | 1.10 |
| C | 0.012 | 0.025 | 0.30 | 0.64 |
| D | 0.561 | 0.581 | 14.25 | 14.75 |
| E | 0.402 | 0.417 | 10.20 | 10.60 |
| F | 0.561 | 0.610 | 14.25 | 15.50 |
| G | 0.083 | 0.107 | 2.10 | 2.70 |
| H | 0.046 | 0.056 | 1.17 | 1.42 |
| J | 0.027 | 0.034 | 0.70 | 0.86 |
| K | 0.140 | 0.160 | 3.56 | 4.06 |

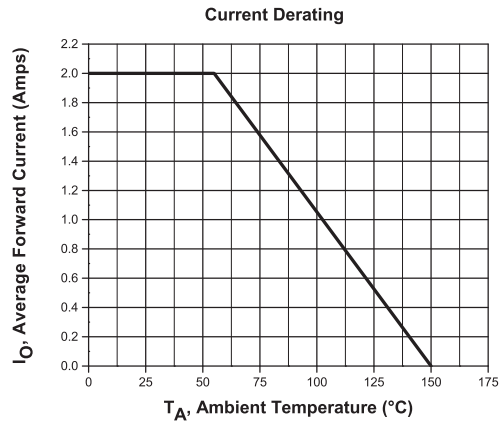
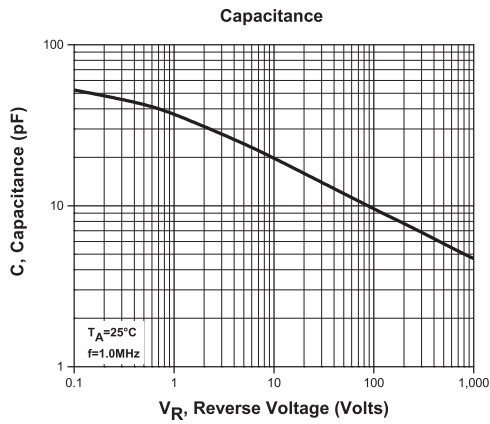
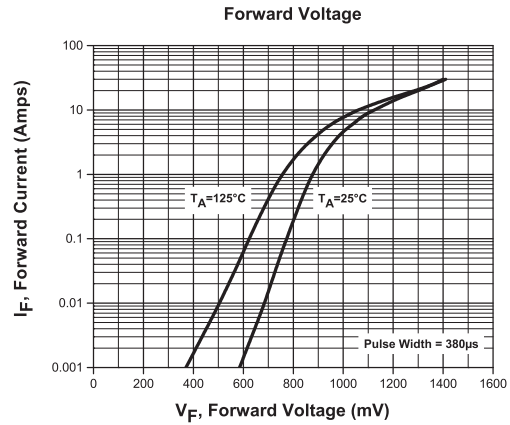
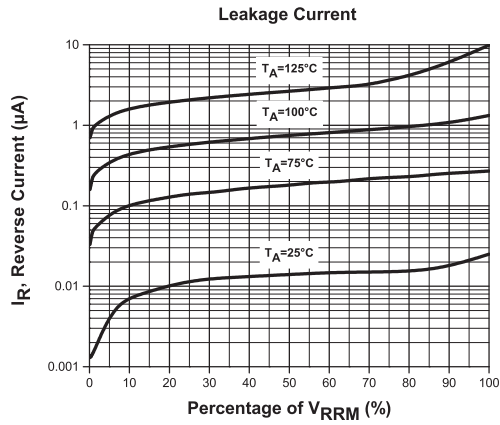
Case B-M (REV: R2)

R2 (2-August 2013)

CBR2-L010M SERIES
SILICON BRIDGE RECTIFIERS



TYPICAL ELECTRICAL CHARACTERISTICS



R2 (2-August 2013)

OUTSTANDING SUPPORT AND SUPERIOR SERVICES



PRODUCT SUPPORT

Central's operations team provides the highest level of support to insure product is delivered on-time.

- Supply management (Customer portals)
- Inventory bonding
- Consolidated shipping options
- Custom bar coding for shipments
- Custom product packing

DESIGNER SUPPORT/SERVICES

Central's applications engineering team is ready to discuss your design challenges. Just ask.

- Free quick ship samples (2nd day air)
- Online technical data and parametric search
- SPICE models
- Custom electrical curves
- Environmental regulation compliance
- Customer specific screening
- Up-screening capabilities
- Special wafer diffusions
- PbSn plating options
- Package details
- Application notes
- Application and design sample kits
- Custom product and package development

REQUESTING PRODUCT PLATING

1. If requesting Tin/Lead plated devices, add the suffix " TIN/LEAD" to the part number when ordering (example: 2N2222A TIN/LEAD).
2. If requesting Lead (Pb) Free plated devices, add the suffix " PBFREE" to the part number when ordering (example: 2N2222A PBFREE).

CONTACT US

Corporate Headquarters & Customer Support Team

Central Semiconductor Corp.
145 Adams Avenue
Hauppauge, NY 11788 USA
Main Tel: (631) 435-1110
Main Fax: (631) 435-1824
Support Team Fax: (631) 435-3388
www.centrasemi.com

Worldwide Field Representatives:
www.centrasemi.com/wwreps

Worldwide Distributors:
www.centrasemi.com/wwdistributors

For the latest version of Central Semiconductor's **LIMITATIONS AND DAMAGES DISCLAIMER**, which is part of Central's Standard Terms and Conditions of sale, visit: www.centrasemi.com/terms