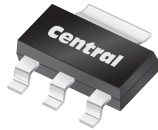


CS223-4M
CS223-4N

**SURFACE MOUNT
SILICON CONTROLLED RECTIFIERS
4.0 AMP, 600 AND 800 VOLT**



SOT-223 CASE



www.centrasemi.com

DESCRIPTION:

The CENTRAL SEMICONDUCTOR CS223-4M and CS223-4N are epoxy molded SCRs designed for sensing circuit applications and control systems.

MARKING: FULL PART NUMBER

MAXIMUM RATINGS: ($T_C=25^\circ\text{C}$ unless otherwise noted)	SYMBOL	CS223-4M	CS223-4N	UNITS
Peak Repetitive Off-State Voltage	V_{DRM}, V_{RRM}	600	800	V
RMS On-State Current ($T_C=85^\circ\text{C}$)	$I_T(\text{RMS})$	4.0		A
Peak One Cycle Surge, $t=10\text{ms}$	I_{TSM}	30		A
I^2t Value for Fusing, $t=10\text{ms}$	I^2t	4.5		A^2s
Peak Gate Power, $t_p=20\mu\text{s}$	P_{GM}	3.0		W
Average Gate Power Dissipation	$P_{G(AV)}$	0.2		W
Peak Gate Current, $t_p=20\mu\text{s}$	I_{GM}	1.2		A
Critical Rate of Rise of On-State Current	di/dt	50		$\text{A}/\mu\text{s}$
Operating Junction Temperature	T_J	-50 to +125		$^\circ\text{C}$
Storage Temperature	T_{stg}	-50 to +150		$^\circ\text{C}$
Thermal Resistance	Θ_{JA}	62.5		$^\circ\text{C}/\text{W}$

ELECTRICAL CHARACTERISTICS: ($T_C=25^\circ\text{C}$ unless otherwise noted)					
SYMBOL	TEST CONDITIONS	MIN	TYP	MAX	UNITS
I_{DRM}, I_{RRM}	Rated $V_{DRM}, V_{RRM}, R_{GK}=1.0\text{K}\Omega$			10	μA
I_{DRM}, I_{RRM}	Rated $V_{DRM}, V_{RRM}, R_{GK}=1.0\text{K}\Omega, T_C=125^\circ\text{C}$			100	μA
I_{GT}	$V_D=12\text{V}, R_L=10\Omega$	20	38	200	μA
I_H	$I_T=50\text{mA}, R_{GK}=1.0\text{K}\Omega$		1.0	2.0	mA
V_{GT}	$V_D=12\text{V}, R_L=10\Omega$		0.55	0.8	V
V_{TM}	$I_{TM}=8.0\text{A}, t_p=380\mu\text{s}$		2.0	2.2	V
dv/dt	$V_D=2/3 V_{DRM}, R_{GK}=1.0\text{K}\Omega, T_C=125^\circ\text{C}$	10			$\text{V}/\mu\text{s}$

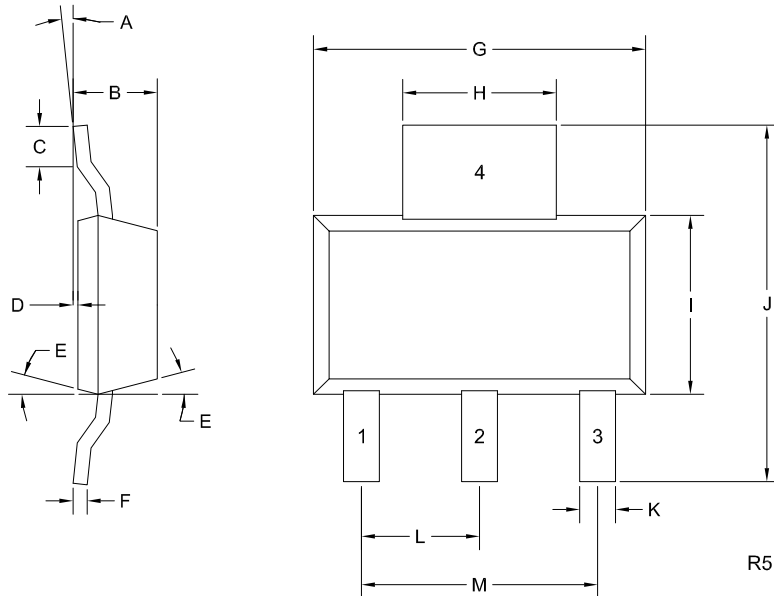
R5 (30-April 2019)

CS223-4M
CS223-4N



**SURFACE MOUNT
SILICON CONTROLLED RECTIFIERS
4.0 AMP, 600 AND 800 VOLT**

SOT-223 CASE - MECHANICAL OUTLINE



LEAD CODE:

- 1) Cathode
- 2) Anode
- 3) Gate
- 4) Anode

MARKING:

FULL PART NUMBER

SYMBOL	INCHES		MILLIMETERS	
	MIN	MAX	MIN	MAX
A	0°	10°	0°	10°
B	0.059	0.071	1.50	1.80
C	0.018	---	0.45	---
D	0.000	0.004	0.00	0.10
E	10°		10°	
F	0.009	0.014	0.23	0.35
G	0.248	0.270	6.30	6.85
H	0.114	0.122	2.90	3.10
I	0.130	0.146	3.30	3.70
J	0.264	0.287	6.70	7.30
K	0.024	0.033	0.60	0.85
L	0.091		2.30	
M	0.181		4.60	

SOT-223 (REV: R5)

R5 (30-April 2019)



OUTSTANDING SUPPORT AND SUPERIOR SERVICES

PRODUCT SUPPORT

Central's operations team provides the highest level of support to insure product is delivered on-time.

- Supply management (Customer portals)
- Inventory bonding
- Consolidated shipping options
- Custom bar coding for shipments
- Custom product packing

DESIGNER SUPPORT/SERVICES

Central's applications engineering team is ready to discuss your design challenges. Just ask.

- Free quick ship samples (2nd day air)
- Online technical data and parametric search
- SPICE models
- Custom electrical curves
- Environmental regulation compliance
- Customer specific screening
- Up-screening capabilities
- Special wafer diffusions
- PbSn plating options
- Package details
- Application notes
- Application and design sample kits
- Custom product and package development

REQUESTING PRODUCT PLATING

1. If requesting Tin/Lead plated devices, add the suffix "TIN/LEAD" to the part number when ordering (example: 2N2222A TIN/LEAD).
2. If requesting Lead (Pb) Free plated devices, add the suffix "PBFREE" to the part number when ordering (example: 2N2222A PBFREE).

CONTACT US

Corporate Headquarters & Customer Support Team

Central Semiconductor Corp.
145 Adams Avenue
Hauppauge, NY 11788 USA
Main Tel: (631) 435-1110
Main Fax: (631) 435-1824
Support Team Fax: (631) 435-3388
www.centrasemi.com

Worldwide Field Representatives:
www.centrasemi.com/wwreps

Worldwide Distributors:
www.centrasemi.com/wwdistributors

For the latest version of Central Semiconductor's **LIMITATIONS AND DAMAGES DISCLAIMER**, which is part of Central's Standard Terms and Conditions of sale, visit: www.centrasemi.com/terms