

CMPD2003	CMPD2004
CMPD2003A	CMPD2004A
CMPD2003C	CMPD2004C
CMPD2003S	CMPD2004S

**SURFACE MOUNT  
HIGH VOLTAGE  
SILICON SWITCHING DIODE**



**SOT-23 CASE**



[www.centrialsemi.com](http://www.centrialsemi.com)

**DESCRIPTION:**

The CENTRAL SEMICONDUCTOR CMPD2003, CMPD2003A, CMPD2003C, CMPD2003S, CMPD2004, CMPD2004A, CMPD2004C and CMPD2004S types are silicon switching diodes manufactured by the epitaxial planar process, designed for applications requiring high voltage capability.

The following configurations are available:

<b>CMPD2003</b>	SINGLE
<b>CMPD2003A</b>	DUAL, COMMON ANODE
<b>CMPD2003C</b>	DUAL, COMMON CATHODE
<b>CMPD2003S</b>	DUAL, IN SERIES
<b>CMPD2004</b>	SINGLE
<b>CMPD2004A</b>	DUAL, COMMON ANODE
<b>CMPD2004C</b>	DUAL, COMMON CATHODE
<b>CMPD2004S</b>	DUAL, IN SERIES

<b>MARKING CODE: A82</b>
<b>MARKING CODE: 8A2</b>
<b>MARKING CODE: C3C</b>
<b>MARKING CODE: C3S</b>
<b>MARKING CODE: D53</b>
<b>MARKING CODE: DB8</b>
<b>MARKING CODE: DB7</b>
<b>MARKING CODE: DB6</b>

**MAXIMUM RATINGS:** (T<sub>A</sub>=25°C)

Continuous Reverse Voltage
Peak Repetitive Reverse Voltage
Average Forward Current
Continuous Forward Current
Peak Repetitive Forward Current
Peak Forward Surge Current, tp=1.0µs
Peak Forward Surge Current, tp=1.0s
Power Dissipation
Operating and Storage Junction Temperature
Thermal Resistance

SYMBOL	CMPD2003	CMPD2004	UNITS
	CMPD2003A	CMPD2004A	
	CMPD2003C	CMPD2004C	
	CMPD2003S	CMPD2004S	
V <sub>R</sub>	200	240	V
V <sub>RRM</sub>	250	300	V
I <sub>O</sub>	200	200	mA
I <sub>F</sub>	250	225	mA
I <sub>FRM</sub>		625	mA
I <sub>FSM</sub>		4.0	A
I <sub>FSM</sub>		1.0	A
P <sub>D</sub>		350	mW
T <sub>J</sub> , T <sub>stg</sub>		-65 to +150	°C
θ <sub>JA</sub>		357	°C/W

R9 (25-January 2010)

CMPD2003    CMPD2004  
 CMPD2003A    CMPD2004A  
 CMPD2003C    CMPD2004C  
 CMPD2003S    CMPD2004S

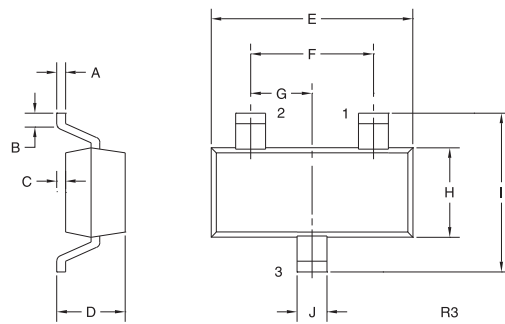


**SURFACE MOUNT  
 HIGH VOLTAGE  
 SILICON SWITCHING DIODE**

**ELECTRICAL CHARACTERISTICS PER DIODE:** ( $T_A=25^\circ\text{C}$  unless otherwise noted)

SYMBOL	TEST CONDITIONS	CMPD2003		CMPD2004		UNITS
		MIN	MAX	MIN	MAX	
$I_R$	$V_R=200\text{V}$	-	100	-	-	nA
$I_R$	$V_R=200\text{V}, T_A=150^\circ\text{C}$	-	100	-	-	$\mu\text{A}$
$I_R$	$V_R=240\text{V}$	-	-	-	100	nA
$I_R$	$V_R=240\text{V}, T_A=150^\circ\text{C}$	-	-	-	100	$\mu\text{A}$
$BV_R$	$I_R=100\mu\text{A}$	250	-	300	-	V
$V_F$	$I_F=100\text{mA}$	-	1.0	-	1.0	V
$V_F$	$I_F=200\text{mA}$	-	1.25	-	-	V
$C_T$	$V_R=0, f=1.0\text{MHz}$	-	5.0	-	5.0	pF
$t_{rr}$	$I_R=I_F=30\text{mA}, R_L=100\Omega, \text{Rec. to } 3.0\text{mA}$	-	50	-	50	ns

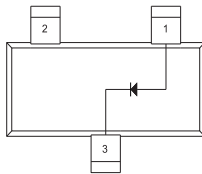
**SOT-23 CASE - MECHANICAL OUTLINE**



SYMBOL	DIMENSIONS			
	INCHES		MILLIMETERS	
	MIN	MAX	MIN	MAX
A	0.003	0.007	0.08	0.18
B	0.006	-	0.15	-
C	-	0.005	-	0.13
D	0.035	0.043	0.89	1.09
E	0.110	0.120	2.80	3.05
F	0.075		1.90	
G	0.037		0.95	
H	0.047	0.055	1.19	1.40
I	0.083	0.098	2.10	2.49
J	0.014	0.020	0.35	0.50

SOT-23 (REV: R3)

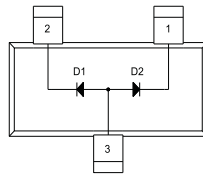
**PIN CONFIGURATIONS**



**CMPD2003  
 CMPD2004**

**LEAD CODE:**

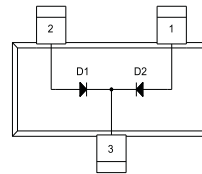
- 1) Anode
- 2) No Connection
- 3) Cathode



**CMPD2003A  
 CMPD2004A**

**LEAD CODE:**

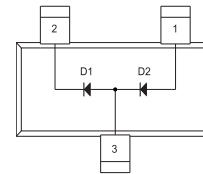
- 1) Cathode D2
- 2) Cathode D1
- 3) Anode D1, D2



**CMPD2003C  
 CMPD2004C**

**LEAD CODE:**

- 1) Anode D2
- 2) Anode D1
- 3) Cathode D1, D2



**CMPD2003S  
 CMPD2004S**

**LEAD CODE:**

- 1) Anode D2
- 2) Cathode D1
- 3) Anode D1, Cathode D2

**MARKING CODE: SEE PREVIOUS PAGE**

R9 (25-January 2010)



## OUTSTANDING SUPPORT AND SUPERIOR SERVICES

---

### PRODUCT SUPPORT

Central's operations team provides the highest level of support to insure product is delivered on-time.

- Supply management (Customer portals)
- Inventory bonding
- Consolidated shipping options
- Custom bar coding for shipments
- Custom product packing

---

### DESIGNER SUPPORT/SERVICES

Central's applications engineering team is ready to discuss your design challenges. Just ask.

- Free quick ship samples (2<sup>nd</sup> day air)
- Online technical data and parametric search
- SPICE models
- Custom electrical curves
- Environmental regulation compliance
- Customer specific screening
- Up-screening capabilities
- Special wafer diffusions
- PbSn plating options
- Package details
- Application notes
- Application and design sample kits
- Custom product and package development

---

### REQUESTING PRODUCT PLATING

1. If requesting Tin/Lead plated devices, add the suffix "TIN/LEAD" to the part number when ordering (example: 2N2222A TIN/LEAD).
2. If requesting Lead (Pb) Free plated devices, add the suffix "PBFREE" to the part number when ordering (example: 2N2222A PBFREE).

---

### CONTACT US

#### Corporate Headquarters & Customer Support Team

Central Semiconductor Corp.  
145 Adams Avenue  
Hauppauge, NY 11788 USA  
Main Tel: (631) 435-1110  
Main Fax: (631) 435-1824  
Support Team Fax: (631) 435-3388  
[www.centalsemi.com](http://www.centalsemi.com)

**Worldwide Field Representatives:**  
[www.centalsemi.com/wwreps](http://www.centalsemi.com/wwreps)

**Worldwide Distributors:**  
[www.centalsemi.com/wwdistributors](http://www.centalsemi.com/wwdistributors)

---

For the latest version of Central Semiconductor's **LIMITATIONS AND DAMAGES DISCLAIMER**, which is part of Central's Standard Terms and Conditions of sale, visit: [www.centalsemi.com/terms](http://www.centalsemi.com/terms)