

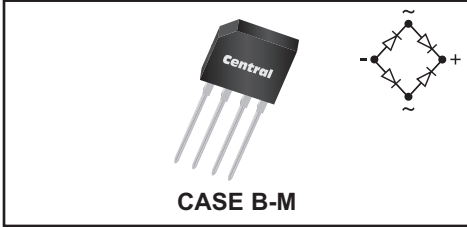
**CBR1-L010M SERIES**  
**SILICON BRIDGE RECTIFIERS**



[www.centrasemi.com](http://www.centrasemi.com)

**DESCRIPTION:**

The CENTRAL SEMICONDUCTOR CBR1-L010M series types are silicon single phase, full wave bridge rectifiers designed for general purpose applications.



**MARKING: FULL PART NUMBER**

**MAXIMUM RATINGS:** ( $T_A=25^\circ\text{C}$  unless otherwise noted)

	SYMBOL	CBR1						UNITS
		-L010M	-L020M	-L040M	-L060M	-L080M	-L100M	
Peak Repetitive Reverse Voltage	$V_{RRM}$	100	200	400	600	800	1000	V
DC Blocking Voltage	$V_R$	100	200	400	600	800	1000	V
RMS Reverse Voltage	$V_{R(RMS)}$	70	140	280	420	560	700	V
Average Forward Current ( $T_A=50^\circ\text{C}$ )	$I_O$				1.5			A
Peak Forward Surge Current	$I_{FSM}$				50			A
Operating and Storage Junction Temperature	$T_J, T_{stg}$			-65 to +150				$^\circ\text{C}$

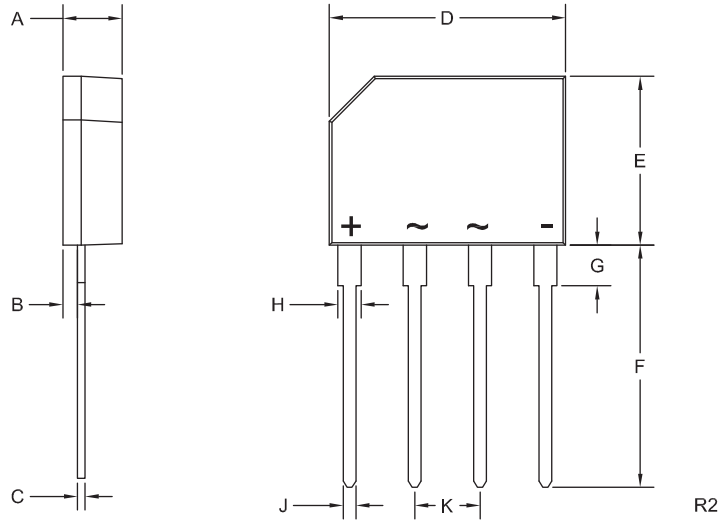
**ELECTRICAL CHARACTERISTICS PER DIODE:** ( $T_A=25^\circ\text{C}$  unless otherwise noted)

SYMBOL	TEST CONDITIONS	MIN	MAX	UNITS
$I_R$	$V_R=\text{Rated } V_{RRM}$		10	$\mu\text{A}$
$I_R$	$V_R=\text{Rated } V_{RRM}, T_A=125^\circ\text{C}$		500	$\mu\text{A}$
$V_F$	$I_F=1.0\text{A}$		1.0	V

**CBR1-L010M SERIES**  
**SILICON BRIDGE RECTIFIERS**



**CASE B-M - MECHANICAL OUTLINE**



**MARKING:**  
**FULL PART NUMBER**

SYMBOL	INCHES		MILLIMETERS	
	MIN	MAX	MIN	MAX
A	0.132	0.144	3.35	3.65
B	0.027	0.043	0.70	1.10
C	0.012	0.025	0.30	0.64
D	0.561	0.581	14.25	14.75
E	0.402	0.417	10.20	10.60
F	0.561	0.610	14.25	15.50
G	0.083	0.107	2.10	2.70
H	0.046	0.056	1.17	1.42
J	0.027	0.034	0.70	0.86
K	0.140	0.160	3.56	4.06

Case B-M (REV: R2)

R1 (25-February 2013)