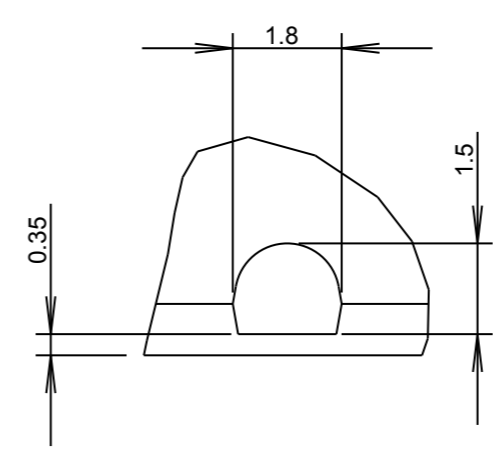
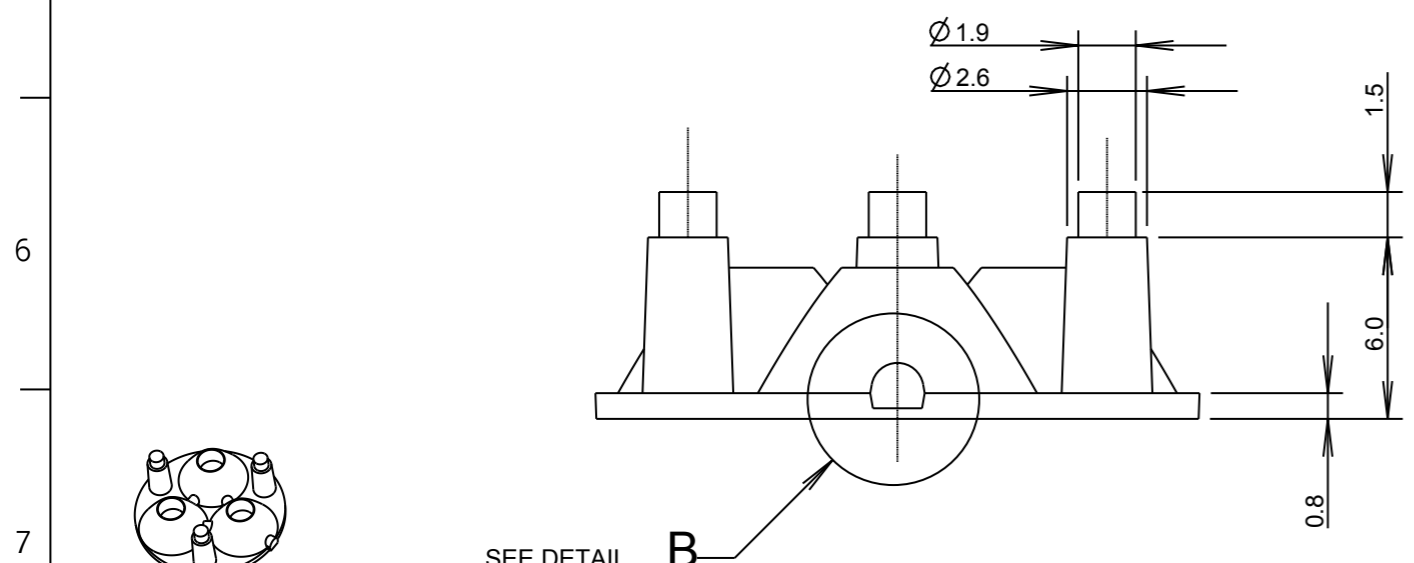


CUSTOMER DRAWING

©2008 CARCLO
ALL DIMENSIONS IN mm



DETAIL B
SCALE 8:1



SCALE 1:1

MATERIAL - UV STABILISED CLEAR POLYCARBONATE

ISS.	DATE	E.C.N.	DESCRIPTION
1	06-May-08		FIRST ISSUE
2	18-Jun-08		GATE SIZE INCREASED
3	12-Nov-08	10/08/1233	LEG PIN LENGTH REDUCED TO 15MM



CARCLO TECHNICAL PLASTICS (SLOUGH)
111 BUCKINGHAM AVE, SLOUGH
SL1 4PF, ENGLAND
TEL: +44 1753 575011 FAX: +44 1753 811359
email: design@carclo-optics.com

GENERAL TOLERANCES (UNLESS STATED)

LINEAR	ANGULAR
X +/- 0.25	X +/- 1°
X.X +/- 0.1	X.X +/- 0.5°
X.XX +/- 0.05	X.XX +/- 0.1°

CUSTOMER
CARCLO

TITLE
10mm TRIPLE OPTIC
MEDIUM FROSTED

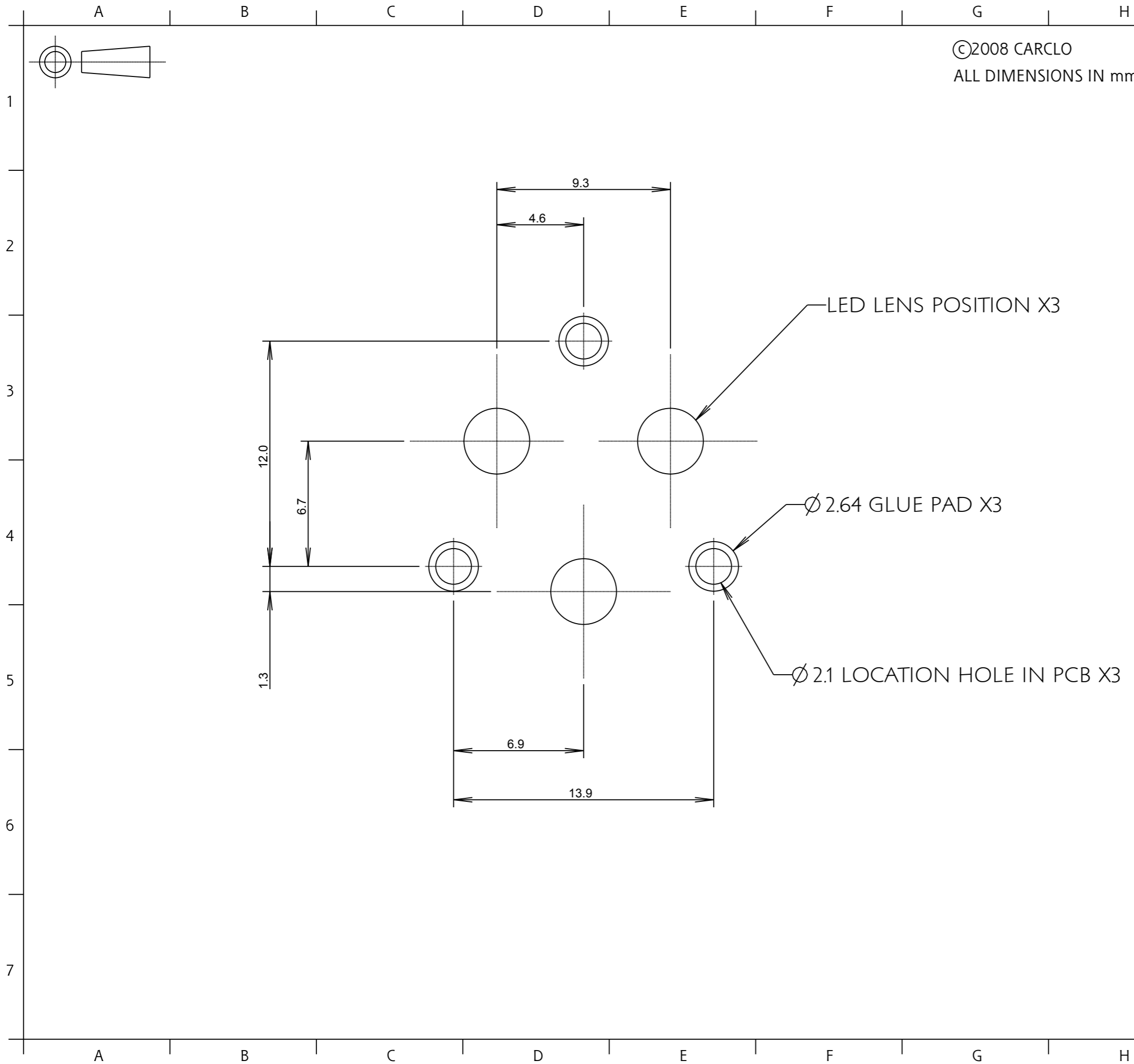
DRAWN M.K. DATE 06-May-08

CHK'D DATE

APP'D DATE

SCALE 4:1 CARCLO PART No. 10508

SIZE A3 CARCLO DRG. No. 60523 SHEET 1 OF 2



©2008 CARCLO
ALL DIMENSIONS IN mm

ISS.	DATE	E.C.N.	DESCRIPTION
1	06-May-08		FIRST ISSUE
2	18-Jun-08		GATE SIZE INCREASED
3	12-Nov-08	10/08/1233	LEG PIN LENGTH REDUCED TO 15MM


 technical plastics
CARCLO TECHNICAL PLASTICS (SLOUGH)
 111 BUCKINGHAM AVE, SLOUGH
 SL1 4PF, ENGLAND
 TEL: +44 1753 575011 FAX: +44 1753 811359
 email: design@carclo-optics.com

GENERAL TOLERANCES (UNLESS STATED)

LINEAR		ANGULAR	
X	+/- 0.25	X	+/- 1°
X.X	+/- 0.1	X.X	+/- 0.5°
X.XX	+/- 0.05	X.XX	+/- 0.1°

CUSTOMER	CARCLO
----------	--------

TITLE	10mm TRIPLE OPTIC MEDIUM FROSTED
-------	----------------------------------

DRAWN	M.K.	DATE	06-May-08
-------	------	------	-----------

CHK'D		DATE	
-------	--	------	--

APP'D		DATE	
-------	--	------	--

SCALE	5:1	CARCLO PART No.	10508
-------	-----	-----------------	-------

SIZE	A3	CARCLO DRG. No.	60523	SHEET	2 OF 2
------	----	-----------------	-------	-------	--------