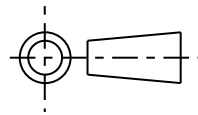


ISS.	DATE	E.C.N.	DESCRIPTION
1	17-Aug-06		FIRST ISSUE
2	31-Oct-06		EJECTOR PIN CUT OUTS ENLARGED

© 2007 CARCLO  
ALL DIMENSIONS IN mm



### CUSTOMER DRAWING



CARCLO TECHNICAL PLASTICS (SLOUGH)  
111 BUCKINGHAM AVE, SLOUGH  
SL1 4PF, ENGLAND  
TEL: +44 1753 575011 FAX: +44 1753 811359  
e-mail: design@carclo-optics.com}

#### GENERAL TOLERANCES (UNLESS STATED)

LINEAR	ANGULAR
X +/- 0.25	X +/- 1°
X.X +/- 0.1	X.X +/- 0.5°
X.XX +/- 0.05	X.XX +/- 0.1°

CUSTOMER

CARCLO

TITLE

1.4MM OFFSET FOCUS  
20 MM DIA OPTIC

DRAWN

DATE

AJD

17-Aug-06

CHK'D

DATE

APP'D

DATE

SCALE

2:1

CARCLO PART No.

SEE TABLE

SIZE

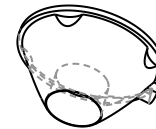
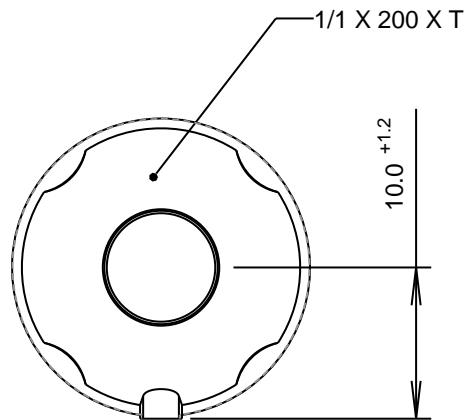
A4

CARCLO DRG. No.

60434

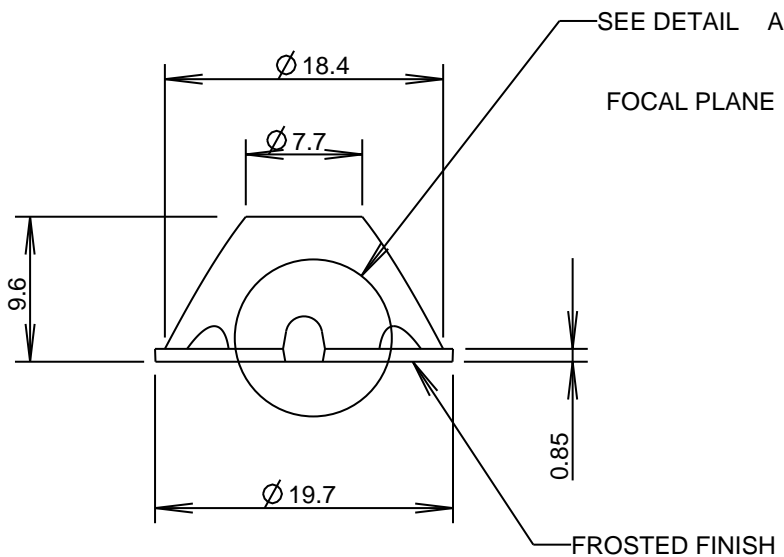
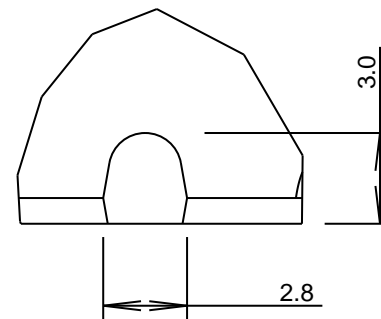
SHEET

1 OF 1



3D VIEW  
SCALE 1:1

DETAIL A  
SCALE 4:1



DESCRIPTION	PART NO.
PLAIN (NO FROSTING)	10199
SOFT NARROW BEAM	10200
SOFT MEDIUM BEAM	10201
SOFT WIDE BEAM	10202

NOTES:  
1. MATERIAL - UV STABILISED POLYCARBONATE  
2. INCLUSIONS SPECIFIED TO BS4301